



INSTALL INSTRUCTIONS

Ram 1500 Vaquero Bumper

Product : 4131VF

**Application : 2013-2018 Ram 1500
(Including 2019 RAM 1500 Classic)**

I WARNING

Read the instructions completely before beginning installation. Before tightening bolts, drilling or cutting where required, check to make sure there are no obstructions such as brake, fuel or electrical lines which may be damaged. Also keep in mind this is an after-market product and MAY require minor shimming and/or trimming, reaming, etc. for proper fit. Road Armor is not responsible for any damages to vehicle.

ⓘ IMPORTANT NOTICE

- Be sure to inspect and test fit your product to ensure proper fitment before having it coated, painted, bed lined, etc.
- Road Armor will not be responsible for the cost of coating your unit if any problems with fit or finish are not noted and addressed beforehand.

SAFETY FIRST!

- FOLLOW ALL INSTRUCTIONS, YOUR SAFETY AND THE SAFETY OF OTHERS IS MOST IMPORTANT.
- WEAR APPROPRIATE EYE PROTECTION AND EXERCISE CAUTION WHEN DRILLING / CUTTING

INCLUDED HARDWARE / BRACKETS

- 6 7/16" Yellow Zinc Finish High Alloy Medium Split Lock Washer
- 6 3/8" Zinc Finish Medium Split Lock Washer
- 6 7/16"-14 Yellow Zinc Finish Grade 8 Finished Hex Nut
- 6 3/8"-16 Zinc Finish Grade 5 Finished Hex Nut
- 6 7/16"-14 x 1-3/4" Grade 8 Yellow Zinc Finish Hex Cap Screw
- 2 3/8"-16 x 1-1/4" Grade 8 Yellow Zinc Finish Hex Cap Screw
- 4 3/8"-16 x 1" Grade 5 Zinc Finish Hex Cap Screw
- 12 3/8" x 0.812" OD Low Carbon Zinc Finish Steel SAE General Purpose Flat Washer
- 12 7/16" x 0.922" OD Thru-Hardened Yellow Zinc Finish Steel SAE General Purpose Flat Washer
- 2 1/4"-20 x 1/2" Grade 5 Zinc Finish Hex Cap Screw
- 2 1/4" x 0.625" OD Low Carbon Zinc Finish Steel SAE General Purpose Flat Washer
- 2 1/4"-20 Zinc Finish Steel with External Tooth Lockwasher KLock Nut

1 Remove dust cover from top of the grill

2 Remove the Four bolts from the top of the grill, and then remove the grill

3 Remove screw from back of Fascia in the fender well, both sides

NOTE

Steps are a little different between chrome bumper, and one piece bumper. Step 4,5 Chrome Only

4 Pull off Fascia piece, this takes some effort (Chrome Bumper)

5 Remove Fascia support using a socket and extension (Chrome Bumper)

6 Remove 4 bolts from backside of bumper then take off the bumper (Chrome Bumper)

NOTE

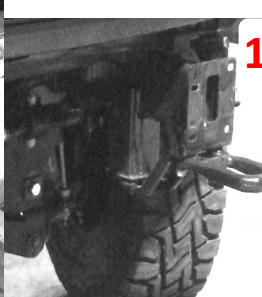
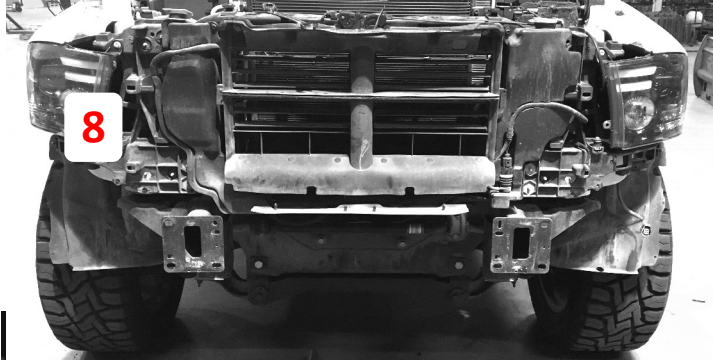
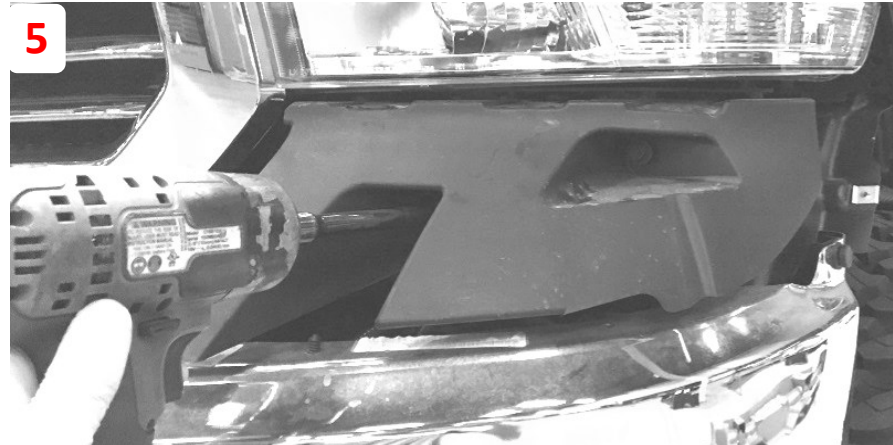
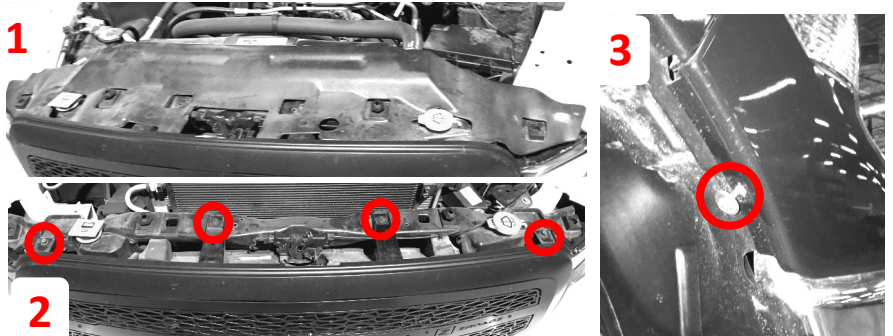
Steps 6,7 for One Piece Bumper Only

7 Remove 4 bolts underneath bumper connecting it to the support. (One Piece)

8 Remove bumper along with support (one Piece)

9 Unplug bumper harness on driver side under the headlight as shown

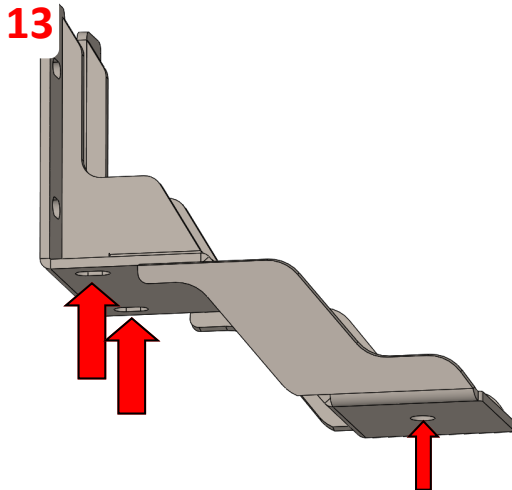
10 Remove tow hook (if equipped) and tow hook bracket.



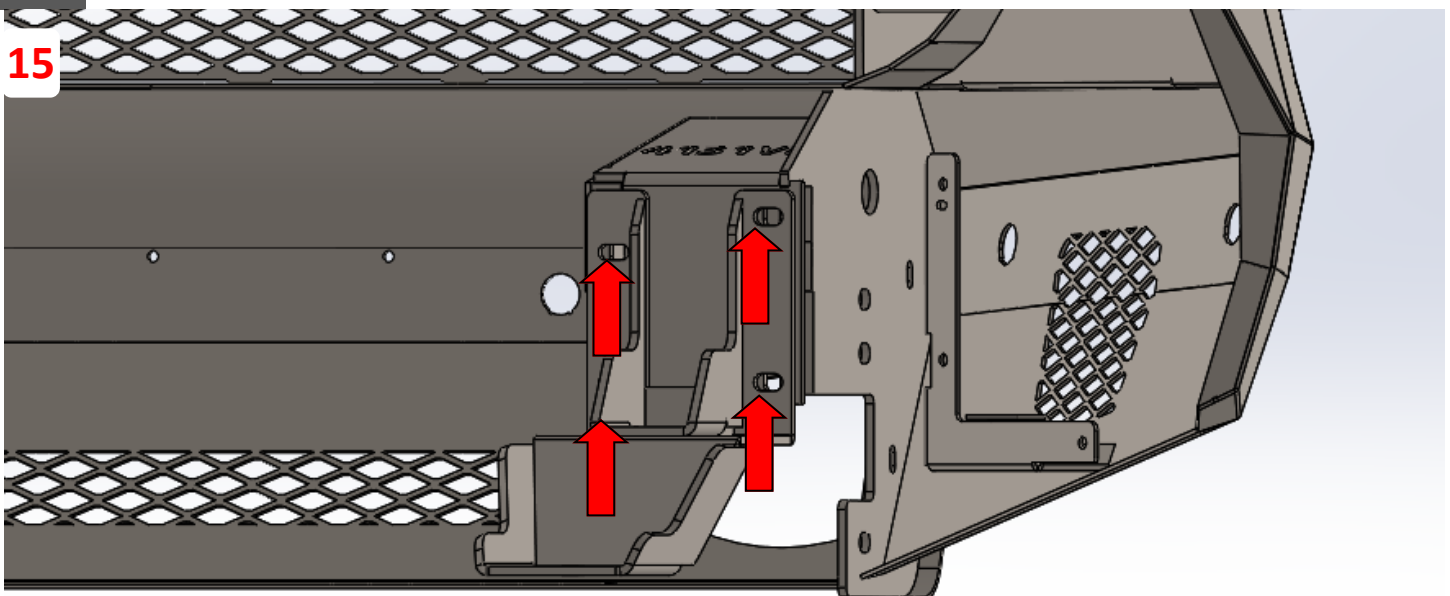
- 11** Carefully unplug and remove sensors and sensor harness
- 12** Install sensors into Road Armor bumper then fit up the bumper harness

NOTE Sensor Bezels must be acquired from dealer for non-chrome bumpers
PARTS #5LS52TZZAA (outer) / #5LS53TZZAA (middle) / #5LS54TZZAA (inner) // (2 Each)

- 13** Place bracket in between frame and tow hook. Use factory hardware for the tow hook to reattach. (The bracket should mount behind the vertical frame horn.)



- 14** Install factory fog lights or aftermarket lights and parking sensors (if applicable) at this time.
- 15** Align the bumper with the brackets and install the hardware to secure the bumper to the vehicle.
- 16** Install lighting to center section of bumper and install onto bumper.



- 18** Adjust the bumper to desired fit and tighten fully.
- 19** Re-Attach all wiring that was disconnected and re-install the grill. Trim fender wells for desired profile.

FINISHED