

1994-2003, CHEVY, S-10 ZR2

FRONT BUMPER INSTALLATION INSTRUCTIONS



SAFETY

Know safety, no injury. Know injury, no safety. ~Author Unknown

If there are any questions, call 1-855-HHTOUGH

- **READ ALL SAFETY INSTRUCTIONS BEFORE INSTALLATION**
 - FOLLOW ALL INSTRUCTIONS FOR PROPER ASSEMBLY
 - WEAR APPROPRIATE EYE PROTECTION
 - EXERCISE CARE WHEN LIFTING COMPONENTS
 - USE APPROPRIATE TORQUE FOR BOLTS

SUGGESTED TORQUE VALUES FOR STEEL GRADE SAE 5 BOLTS

BOLT DIAMETER (INCH)	TREADS PER INCH	TORQUE (POUND-FEET)
1/4	20	7
5/16	18	14
3/8	16	25
7/16	14	40
1/2	13	60
9/16	12	88
5/8	11	120
3/4	10	200
7/8	9	302
1	8	466



1994-2003, CHEVY, S10 ZR2

I. PARTS LIST

<u>QUANTITY</u>	<u>PART NUMBER</u>	<u>DESCRIPTION</u>	<u>CHECKOFF</u>
1	600-56-0111	BUMPER	
1	60K-56-0003	HARDWARE KIT#3	
1	60K-56-0004	HARDWARE KIT#4	
1	601-56-3329	R FRAME MOUNT WELDMENT	
1	601-56-3330	L FRAME MOUNT WELDMENT	
2	601-56-9999	ORL MOUNT	

II. TOOL LIST

1. Basic tool set
2. ¾” wrench
3. ¾” socket
4. 15mm socket
5. 12” extension

III. REMOVAL OF OEM BUMPER

1. Remove grill. The grill is attached with metal spring clips. Start at the outer portion between the headlights and pull out. Once the outer portion of the grill is released from the truck. Gently pull on the inner portion of the grill. Remove grill and set aside.



2. Now you will remove the bumper outer bolts. They are located in front of the tires. Using a 15mm socket, remove the bolts, attaching the side braces to the bumper. Then remove the two bolts attaching the side braces to the frame. Remove brace and set aside.



1994-2003, CHEVY, S10 ZR2

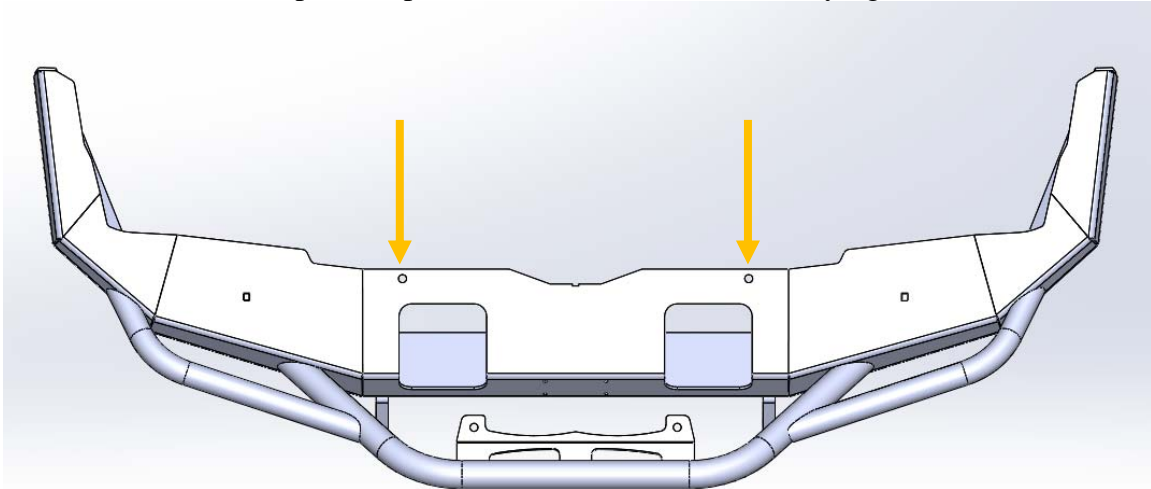
- Using a 15mm socket and 12" extension, remove the four center bolts attaching the OEM bumper to the frame. Two are visible on the top of the bumper and two are behind and below the bumper. Remove bumper and set aside.

IV. INSTALLATION OF HAMMERHEAD BUMPER

- Install winch and lights in bumper at this time. Use ORL mount and hardware kit #3 to install lights. On some winches, the solenoid will need to be relocated.
- Using OEM hardware attach HH frame mounts to frame where OEM side braces were attached. Do not fully tighten.



- Install HH bumper on truck and use OEM bolts to attach top of bumper (see pic) to OEM mounts. Do not fully tighten.





1994-2003, CHEVY, S10 ZR2

4. Using hardware kit# 4 and a $\frac{3}{4}$ " wrench and socket. Attach HH frame mounts to HH bumper. There will be two $\frac{1}{2}$ " bolts, four $\frac{1}{2}$ " flat washers, two $\frac{1}{2}$ " lock washers, and two $\frac{1}{2}$ " nuts left over. Align bumper a minimum of $\frac{1}{4}$ " below headlights. When truck flexes off-road, this distance allows your bumper and body to have clearance. Tighten all hardware at this time.



Congratulations! Your bumper installation is now complete.
Thank you for your purchase.