

2003-2006 and 2007 CLASSIC, CHEVY, 2500-3500HD

FRONT BUMPER INSTALLATION INSTRUCTIONS



SAFETY

Know safety, no injury. Know injury, no safety. ~Author Unknown

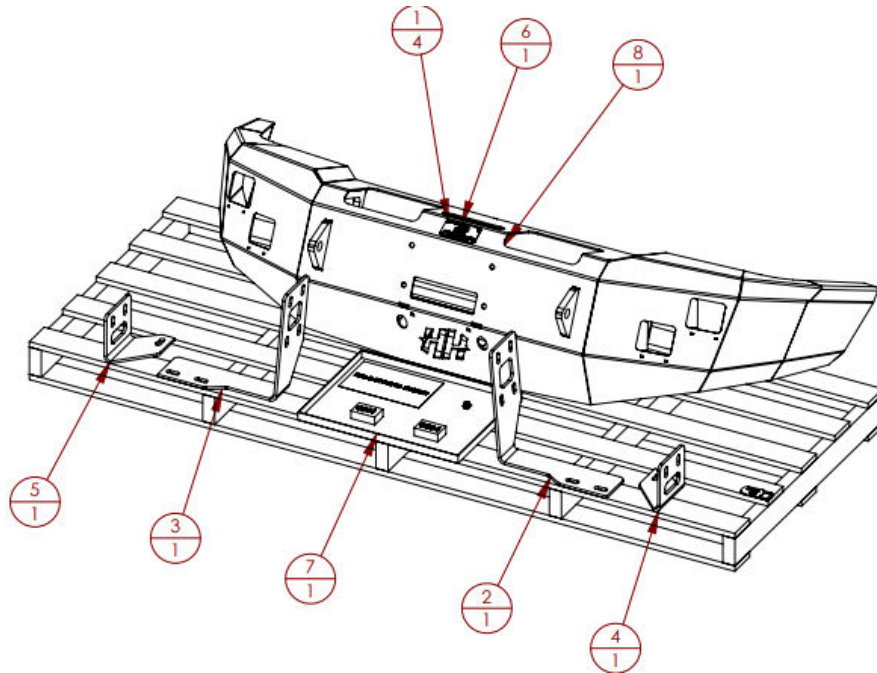
If there are any questions, call 1-855-HHTOUGH

- **READ ALL SAFETY INSTRUCTIONS BEFORE INSTALLATION**
 - FOLLOW ALL INSTRUCTIONS FOR PROPER ASSEMBLY
 - WEAR APPROPRIATE EYE PROTECTION
 - EXERCISE CARE WHEN LIFTING COMPONENTS
 - USE APPROPRIATE TORQUE FOR BOLTS

SUGGESTED TORQUE VALUES FOR STEEL GRADE SAE 5 BOLTS

BOLT DIAMETER (INCH)	TREADS PER INCH	TORQUE (POUND-FEET)
1/4	20	7
5/16	18	14
3/8	16	25
7/16	14	40
1/2	13	60
9/16	12	88
5/8	11	120
3/4	10	200
7/8	9	302
1	8	466

I. PARTS LIST



ITEM NO.	QTY.	PART NUMBER	DESCRIPTION
1	4	318-12-0005	0.188" X 0.125" AL POP RIVET
2	1	601-56-0932	PASS LOWER FRAME MOUNT
3	1	601-56-0933	DRIVER LOWER FRAME MOUNT
4	1	601-56-0934	PASS UPPER FRAME MOUNT
5	1	601-56-0935	DRIVER UPPER FRAME MOUNT
6	1	601-56-9992	BLACK HAMMERHEAD LABEL W/ HOLES
7	1	60H-56-0029	INSTALL KIT #29
8	1	60P-56-0113	600-56-0113 POLISHED
9	1	601-56-5255	NO PAINT

60K-56-0001 BILL OF MATERIALS

<u>QUANTITY</u>	<u>DESCRIPTION</u>
8	½"-13 x 2.00" HEX BOLT- ZN
8	½"-13 HEX NUT- ZN
16	½" FLAT WASHER
8	½" LOCK WASHER

60K-56-0004 BILL OF MATERIALS

<u>QUANTITY</u>	<u>DESCRIPTION</u>
4	½"-13 x 2.00" HEX BOLT- ZN
4	½"-13 HEX NUT- ZN
8	½" FLAT WASHER
4	½" LOCK WASHER

II. TOOL LIST

1. Basic tool set
2. 9/16" socket
3. 15mm socket
4. 18mm socket

III. REMOVAL OF BUMPER

1. Disconnect factory fog lights if applicable.
2. Using 15mm socket, remove bolts attaching OE bumper to frame. They can be accessed from behind the bumper. There are four total.
3. Using 15mm socket, remove three bolts on side bumper brace in front of tire. (both sides)
Remove bumper and set aside.
4. Using 18mm socket, remove three bolts attaching OE tow hook to frame. Remove tow hook and set aside. It will not be reused. (both sides)

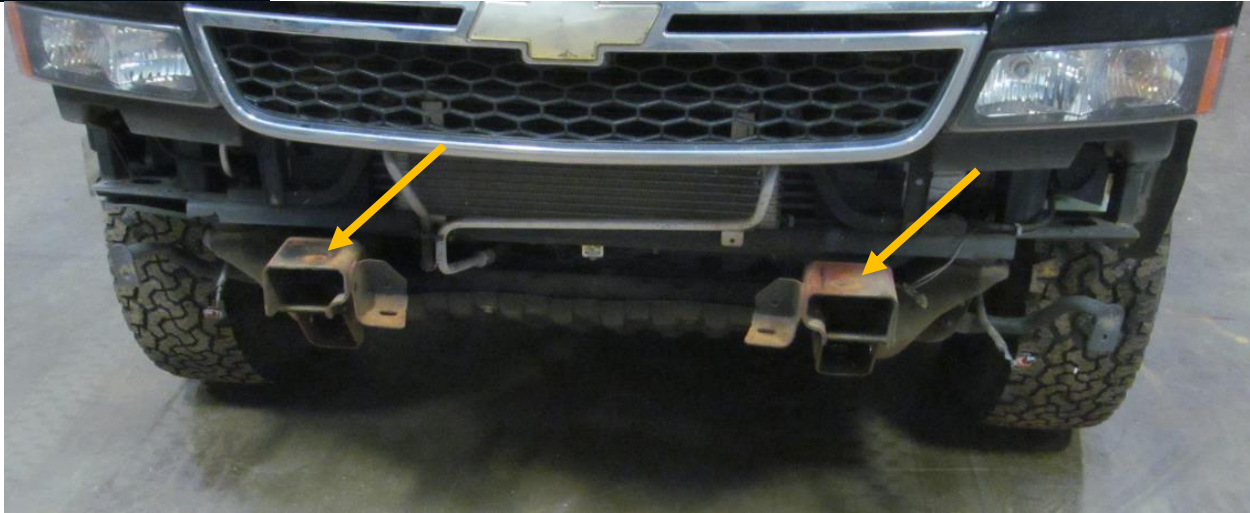
IV. INSTALLATION OF HAMMERHEAD BUMPER

1. Layout and Hammerhead frame mounts and 1 Hardware kit # 0004 as shown. One hardware kit for each side.

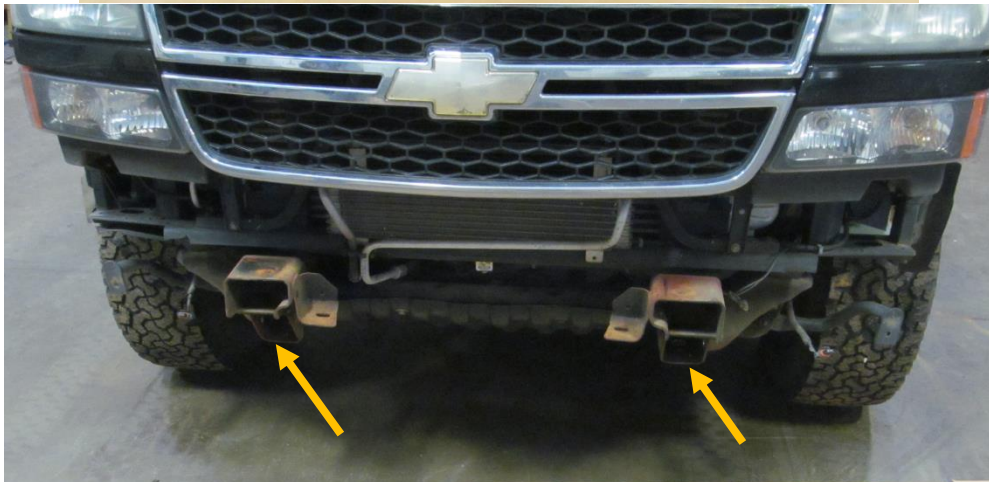


2. Install Hammerhead frame mounts (0934 & 0935) on top OE bumper mounts using OE hardware. Do not fully tighten.





3. Install lower mounts (0932 & 0933) on bottom of frame. Use one hardware kit # 0004 on each side.



4. Using a hoist or a few friends, attach bumper to frame mounts using hardware kit #0001 Start all bolts before aligning bumper. Align bumper a minimum of $\frac{1}{4}$ " below headlights. When truck flexes off-road, this distance allows your bumper and body to have clearance. Tighten bolts with $\frac{3}{4}$ " socket and wrench. Tighten frame mount bolts at this time.
5. Trim inner fenders to match bumper.



Congratulations! Your product installation is now complete.
Thank you for your purchase.