

2014-2015 CHEVY 1500

FRONT BUMPER INSTALLATION INSTRUCTIONS



SAFETY

Know safety, no injury. Know injury, no safety. ~Author Unknown

- **READ ALL SAFETY INSTRUCTIONS BEFORE INSTALLATION**
 - FOLLOW ALL INSTRUCTIONS FOR PROPER ASSEMBLY
 - WEAR APPROPRIATE EYE PROTECTION
 - EXERCISE CARE WHEN LIFTING COMPONENTS
 - USE APPROPRIATE TORQUE FOR BOLTS
 - BLUE THREAD LOCKING COMPOUND IS RECOMMENDED ON ALL BOLTS

 - SUGGESTED TORQUE VALUES FOR STEEL GRADE SAE 5 BOLTS

BOLT DIAMETER (INCH)	TREADS PER INCH	TORQUE (POUND-FEET)
1/4	20	7
5/16	18	14
3/8	16	25
7/16	14	40
1/2	13	60
9/16	12	88
5/8	11	120
3/4	10	200
7/8	9	302
1	8	466



2014-2015 CHEVY1500 FRONT

I. PARTS LIST

<u>QUANTITY</u>	<u>PART NUMBER</u>	<u>DESCRIPTION</u>
1	600-56-0392, 0401	FRONT BUMPER
1	601-56-2935	RIGHT BUMPER MOUNT
	601-56-2936	LEFT BUMPER MOUNT
2	601-56-2868	WELDNUT TAB 3
2	307-13-0132	RUBBER GROMMET 0.5"x0.25"x0.81"x1.0"
1	601-56-2958	RIGHT BAR MOUNT
1	601-56-2959	LEFT BAR MOUNT
1	60K-56-0057	HARDWARE KIT#57 (BAR MOUNT)
1	60K-56-0058	HARDWARE KIT #58

II. TOOL LIST

1. 15mm socket
2. 18mm socket
3. 15mm wrench
4. 18mm wrench
5. T15 Torx bit
6. 7mm socket
7. Flathead screwdriver

III. REMOVAL OF OEM BUMPER

1. Remove two screws holding on plastic trim piece with 7mm socket. (orange arrows) Also, remove one screw holding on fenderwell with a T15 Torx bit. (yellow arrow) (both sides)





2014-2015 CHEVY1500 FRONT

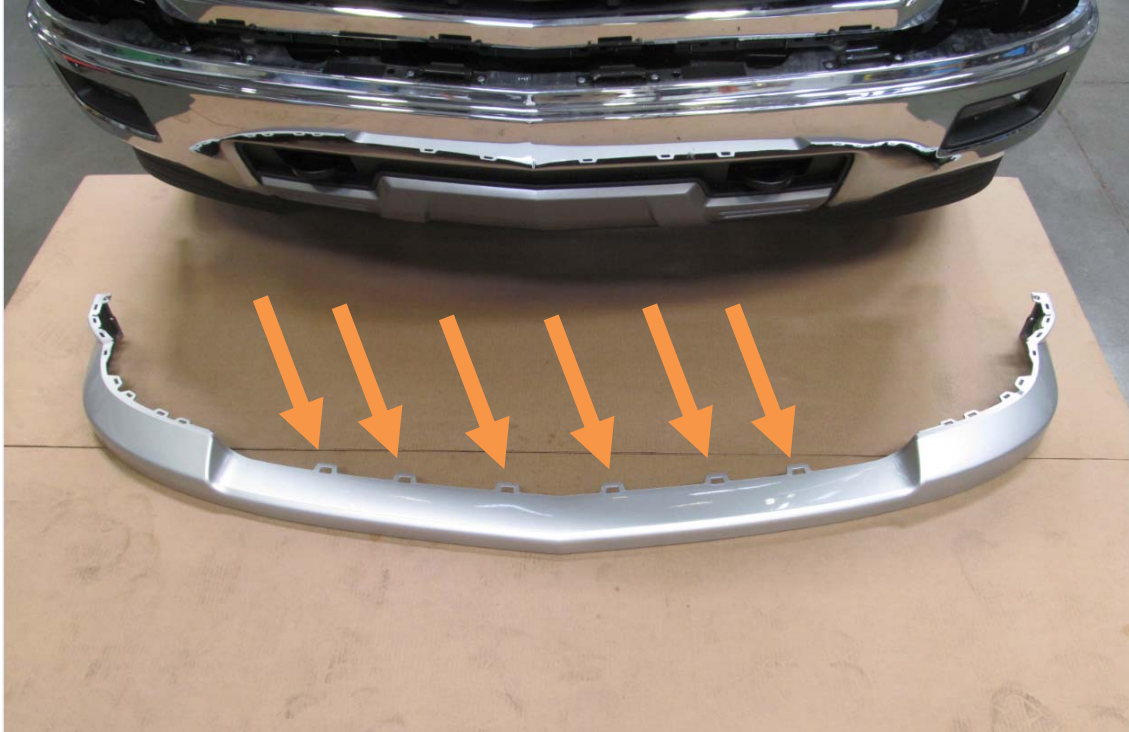
2. Pull out on edge of plastic trim to release the tabs as shown. Pull in direction of arrows. (both sides)





2014-2015 CHEVY 1500 FRONT

3. Release six tabs on center of plastic trim below the grill. Have a friend gently pull out on the plastic trim as you release the tabs from behind the grill. A flathead screwdriver works well to help pry the tabs. Set aside plastic trim.



4. Open hood and remove 12 plastic clips. Remove plastic shroud and gently set aside, it will be reused.





2014-2015 CHEVY1500 FRONT

5. Remove four screws on top of grill with 10mm socket.



6. Remove four screws on bottom of grill with 10mm socket.



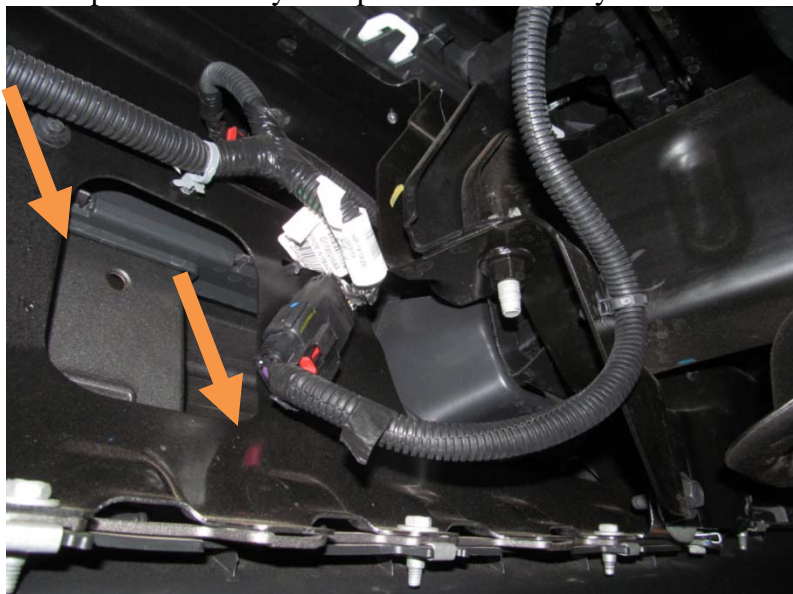


2014-2015 CHEVY1500 FRONT

7. Pull up and out (toward your body) on the top of the grill where the screws were to release the plastic tabs. Using your thumbs to push down on the bracket makes it easy.



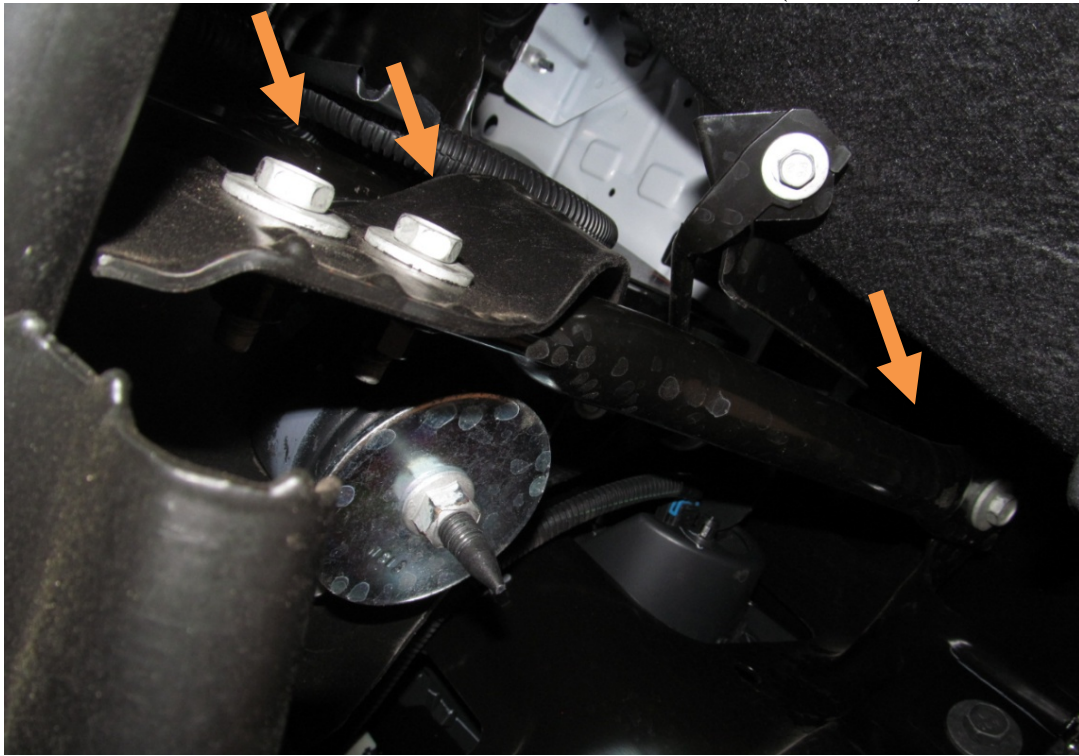
8. Pull out on the bottom of the grill to remove it and gently set it aside, it will be reused.
9. Unplug the OEM fog light and sensor wiring harness and place it on top of the factory skid plate out of the way.





2014-2015 CHEVY1500 FRONT

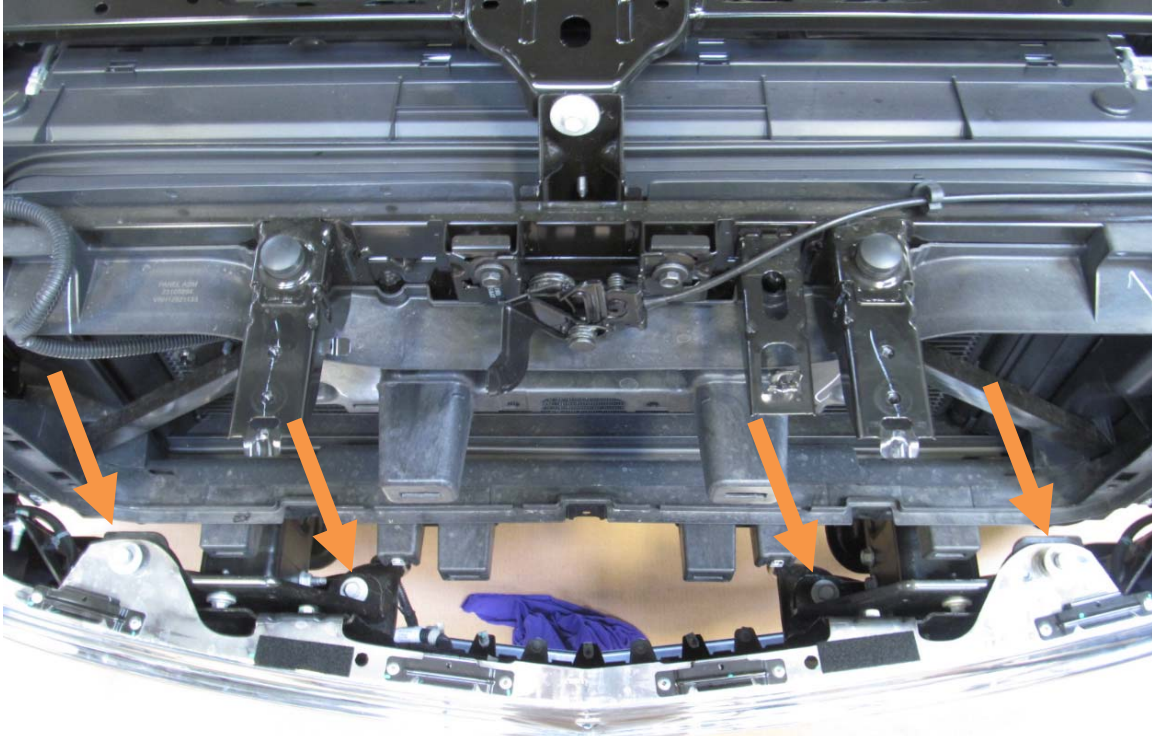
10. Remove three bolts from OEM side bumper support (in front of tires) with 15mm socket. Set aside. (both sides)





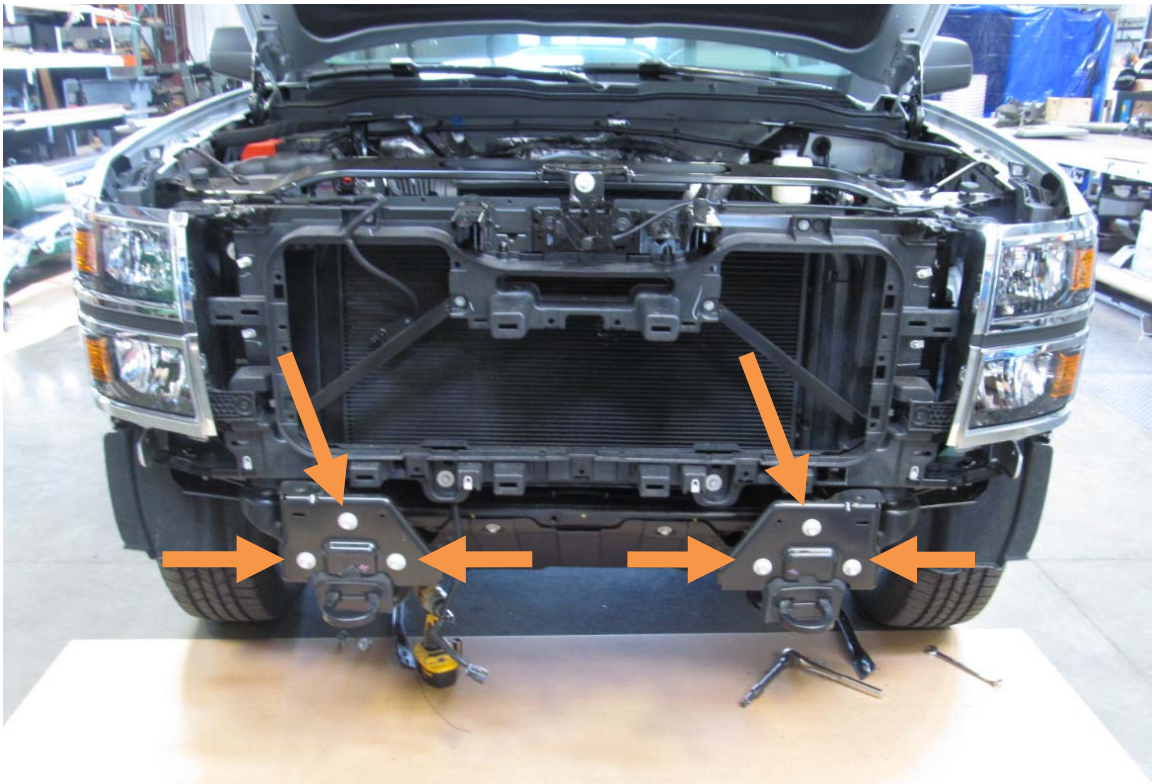
2014-2015 CHEVY 1500 FRONT

11. Remove four OEM bumper bolts with 18mm socket.



12. Remove OEM bumper and set aside.

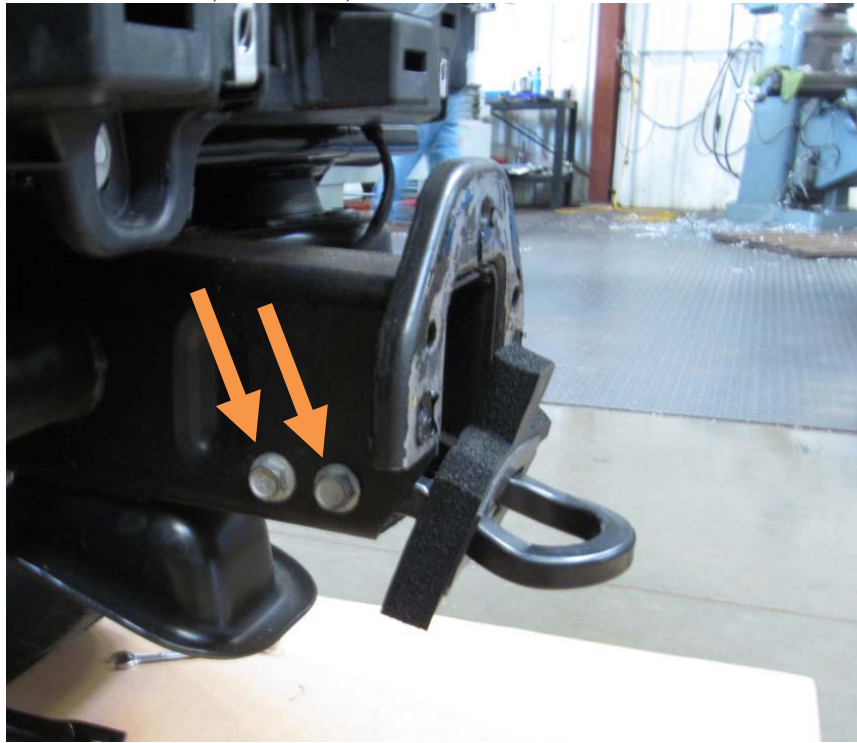
13. Remove six bolts holding on OEM frame flanges to frame with 15mm socket. Set brackets aside.





2014-2015 CHEVY1500 FRONT

14. Remove two bolts holding on OEM tow hooks with 18mm socket and wrench. (both sides) Set tow hooks aside.



15. Remove three screws holding on plastic trim bracket on fender with a 7mm socket. Set bracket aside. (both sides)





2014-2015 CHEVY1500 FRONT



16. Remove two screws holding on plastic trim under headlight with T15 Torx bit. Set bracket aside. (both sides)



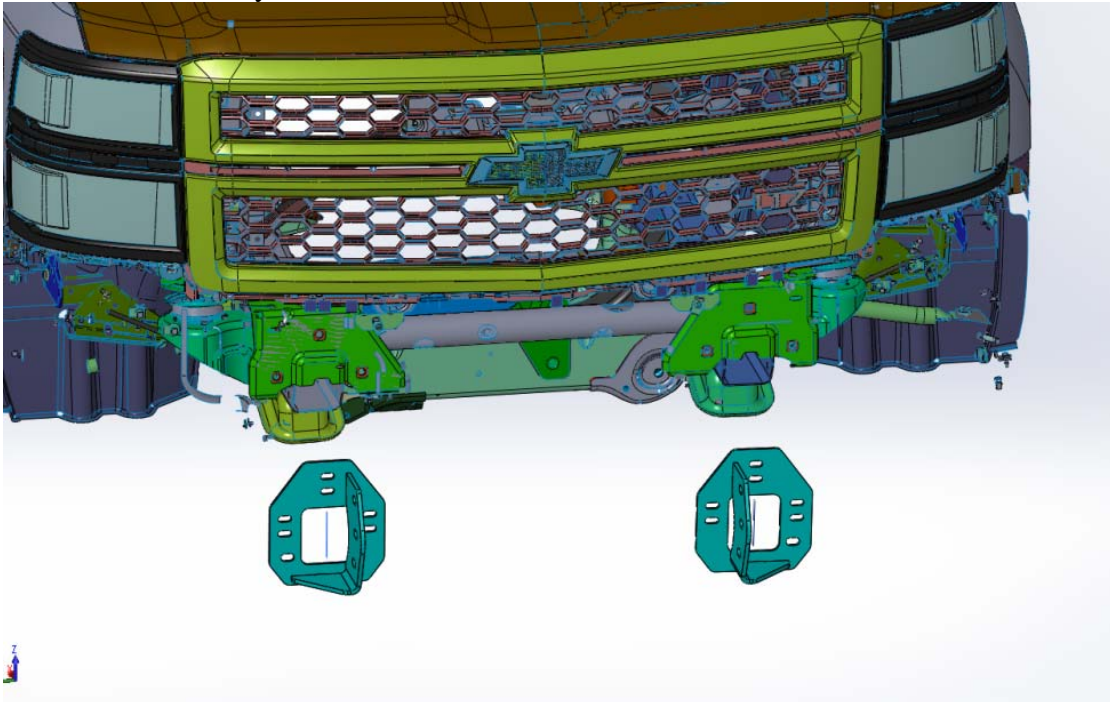


2014-2015 CHEVY1500 FRONT

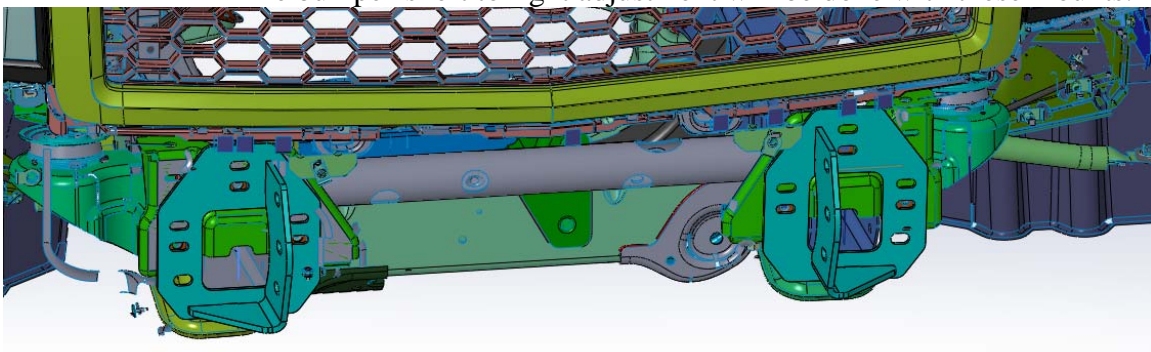
17. Replace OEM grill.
18. Remove OEM sensors, grommets, and wiring harness from OEM bumper.

IV. INSTALLATION OF HAMMERHEAD BUMPER

1. Layout frame mounts as shown.



2. Install Hammerhead frame mounts (601-56-2935 and 2936) with OEM hardware. Do not fully tighten. USE BOTTOM SLOTS FOR BOLTS
The bumper's left to right adjustment will be done with these mounts.

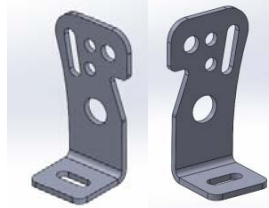


3. Install OEM sensor grommets, sensors and wiring harness in Hammerhead bumper.



2014-2015 CHEVY1500 FRONT

4. Install all lights in Hammerhead bumper at this time. Use included Bar mount brackets (601-56-2958 and 2959) and Hardware kit #57 to attach 20" bar in bumper to mount in bumper. Use hole in bracket and bumper that works best with your light bar. Tighten bolts from hardware kit #57 with 7/16" socket and wrench.



2958 and 2959 brackets



5. Install and align Hammerhead bumper to frame mounts using six 1/2" - 13 x 1.5" bolts, six 1/2" flat washers, and six lock washers Hardware Kit #58. Use one weldnut tab #3 on each side. Adjust bumper left to right and tighten OEM hardware on frame and lower mount bolt. Adjust bumper up and down and in and out then completely tighten all frame mount to bumper hardware.



Congratulations! Your installation is now complete.
Thank you for your purchase.