

# 1999-2016 Ford F250-350 and 2000-2005 Excursion

## REAR BUMPER INSTALLATION INSTRUCTIONS



## SAFETY

**Know safety, no injury. Know injury, no safety. ~Author Unknown**

- **READ ALL SAFETY INSTRUCTIONS BEFORE INSTALLATION**
  - FOLLOW ALL INSTRUCTIONS FOR PROPER ASSEMBLY
  - WEAR APPROPRIATE EYE PROTECTION
  - EXERCISE CARE WHEN LIFTING COMPONENTS
  - USE APPROPRIATE TORQUE FOR BOLTS
  - BLUE THREAD LOCKING COMPOUND IS RECOMMENDED ON ALL BOLTS

California Proposition 65



**WARNING**

Cancer and Reproductive Harm

[www.P65Warnings.ca.gov](http://www.P65Warnings.ca.gov)

DO NOT PAINT OVER THIS LABEL. REPLACE IF DAMAGED OR LOST

DKB150\_00



## 1999-2016 FORD F250-350 REAR

<b>Suggested Torque Values For Steel Grade 5 Standard Bolts</b>		
BOLT DIAMETER (INCH)	THREADS PER INCH	TORQUE (POUND - FEET)
1/4	20	7
5/16	18	14
3/8	16	25
7/16	14	40
1/2	13	60
9/16	12	88
5/8	11	120
3/4	10	200
7/8	9	302
1	8	466

<b>Suggested Torque Values For Steel Grade 8.8 Metric Bolts</b>		
BOLT DIAMETER (mm)	THREAD PITCH (mm)	TORQUE (POUND-FEET)
6	1.0	7
8	1.25	16
10	1.5	32
12	1.75	55
14	2.0	88
16	2.0	140
18	2.5	195
20	2.5	275
22	2.5	375
24	3.0	475

## I. PARTS LIST

<u>QUANTITY</u>	<u>PART NUMBER</u>	<u>DESCRIPTION</u>
1	600-56-0182	F250-F350
or	600-56-0297	EXCURSION
1	601-56-0567	F250-350 RIGHT FRAME MOUNT
1	60P-56-0568	F250-350 LEFT FRAME MOUNT
1	601-56-2522	EXCURSION LEFT FRAME MOUNT
1	601-56-2523	EXCURSION RIGHT FRAME MOUNT
1	60K-56-0001	HARDWARE PACKAGE #1



## 1999-2016 FORD F250-350 REAR

### II. TOOL LIST

1. 3/4" wrench
2. 3/4" socket
3. 8mm socket
4. 21mm socket

### III. REMOVAL OF OEM BUMPER

1. Using an 8mm socket, remove two screws that hold on license plate.
2. Unplug OE sensor and license plate harness from truck.



3. Crush hazard. Do not get under the bumper. It will be ready to come off when this step is complete. Excursion will remove in the same manner, but the mounts are shorter.  
Using 21mm socket, remove two nuts holding on OE rear bumper bracket. (both sides) Hold bumper and push bolt strips through holes. Remove OE bumper and set face down on cardboard.





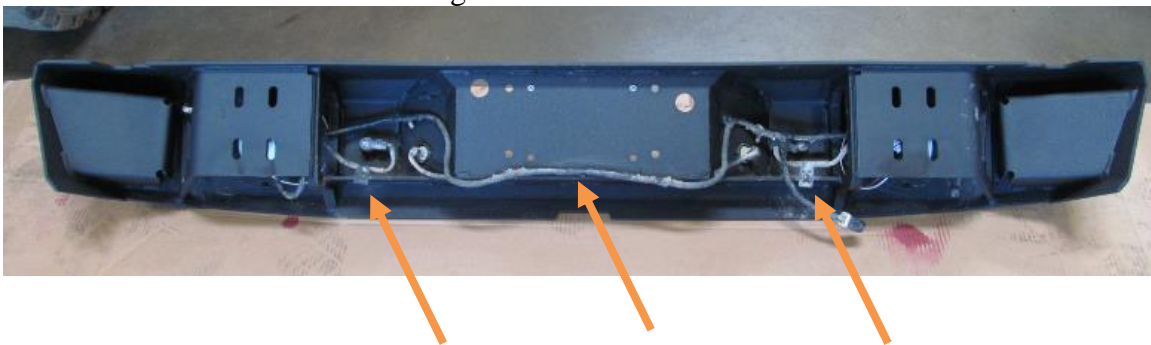
## 1999-2016 FORD F250-350 REAR

4. Carefully remove OE sensors, sensor grommets, wiring harness, and license plate lights from OE bumper. They will be reused.



### IV. INSTALLATION OF HAMMERHEAD BUMPER

1. Install OE rear park assist grommets and sensors into Hammerhead bumper. Bumper is keyed like OE bumper and grommets will go in same position.
2. Install license plate lights, and wiring harness in Hammerhead bumper. Use tabs @ orange arrows to retain harness.

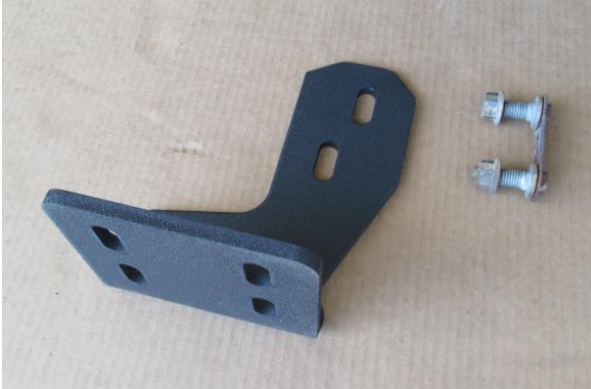


3. Using OE hardware, install Hammerhead frame mounts in OE location. (both sides) Pull mounts away from truck and hand tighten nuts. Excursion mounts bolt up in the same manner, but are a different shape.

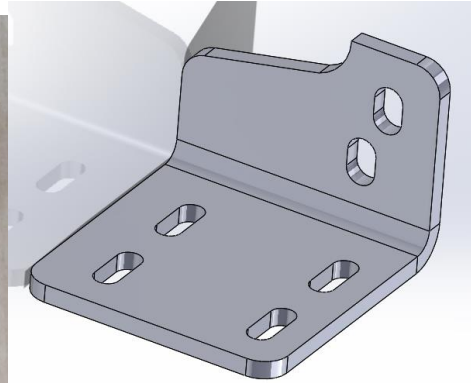


## 1999-2016 FORD F250-350 REAR

F250-350 mounts



Excursion Mounts:



4. Install Hammerhead bumper on Hammerhead mounts. You will need eight ½"-13x2" bolts, 16 flat washers, 8 lock washers, 8 ½"-13 nuts, and a ¾" wrench and socket.
5. Align bumper and tighten all hardware.



Congratulations! Your product installation is now complete.  
Thank you for your purchase.