

# 2015-20XX FORD F-150

## REAR BUMPER INSTALLATION INSTRUCTIONS



## SAFETY

**Know safety, no injury. Know injury, no safety. ~Author Unknown**

If there are any questions, call 1-855-HHTOUGH

- **READ ALL SAFETY INSTRUCTIONS BEFORE INSTALLATION**
  - FOLLOW ALL INSTRUCTIONS FOR PROPER ASSEMBLY
  - WEAR APPROPRIATE EYE PROTECTION
  - EXERCISE CARE WHEN LIFTING COMPONENTS
  - USE APPROPRIATE TORQUE FOR BOLTS

### SUGGESTED TORQUE VALUES FOR STEEL GRADE SAE 5 BOLTS

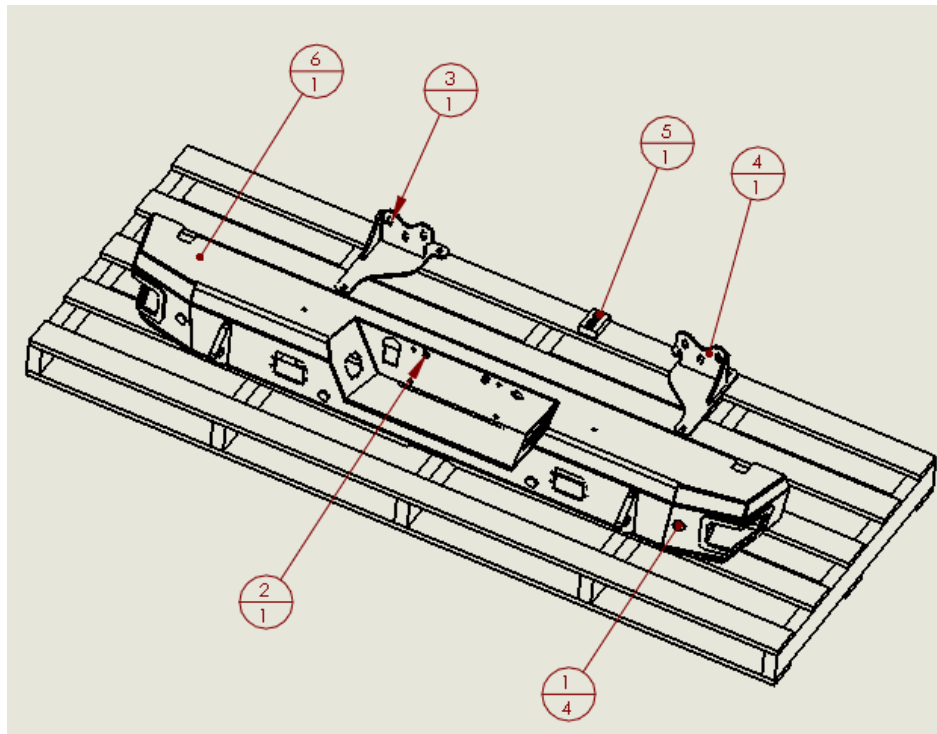
BOLT DIAMETER (INCH)	TREADS PER INCH	TORQUE (POUND-FEET)
1/4	20	7
5/16	18	14
3/8	16	25
7/16	14	40
1/2	13	60
9/16	12	88
5/8	11	120
3/4	10	200
7/8	9	302
1	8	466



2015-20XX Ford F-150

## I. PARTS LIST

ITEM NO.	QTY.	PART NUMBER	DESCRIPTION	
1	4	316-01-0005	1.25" PLUG BT-FLUSH LDPE BLACK	-
2	1	443-01-0086	LICENSE PLATE MOUNTING KIT	-
3	1	601-56-2675	RIGHT FRAME MOUNT WELDMENT	-
4	1	601-56-2693	LEFT FRAME MOUNT WELDMENT	-
5	1	60K-56-0040	HARDWARE KIT #40	-
6	1	60P-56-0480	600-56-0480 POLISHED	-



## II. TOOL LIST

1. Standard tool kit
2. 3/4" wrench
3. 3/4" socket
4. 10mm socket
5. 21mm socket
6. 13mm socket
7. 13mm wrench
8. Pliers
9. 5/8" wrench
10. 5/8" socket



2015-20XX Ford F-150

### III. REMOVAL OF OEM BUMPER

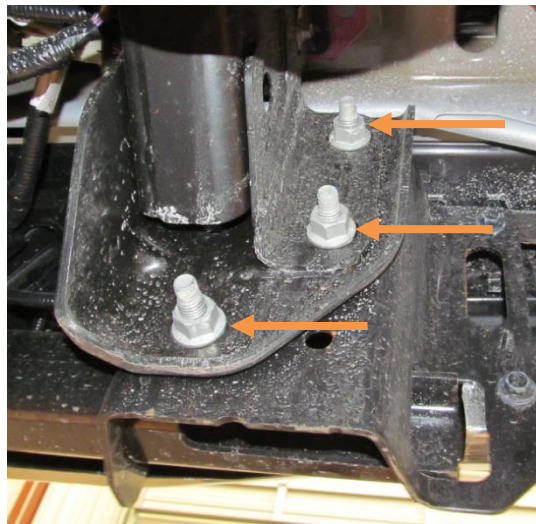
1. Remove all components from box and compare to parts list above
2. Unplug main wiring harness. (located above spare tire)



3. Using 10mm socket, remove bolt attaching wiring harness ground to truck. (located outside frame rail on left side)



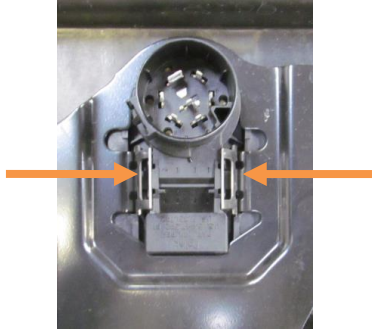
4. Using a 21mm socket, remove six bolts attaching OEM bumper/receiver hitch to frame. Remove and set aside face down on foam or cardboard.





### 2015-20XX Ford F-150

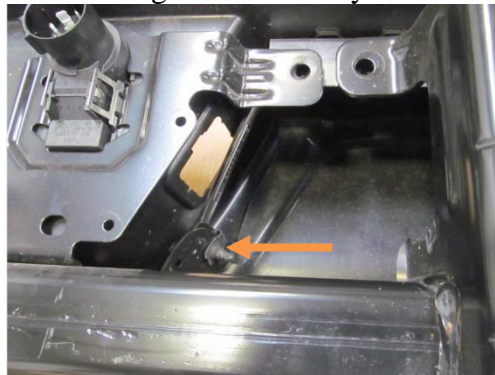
5. Unplug four OEM sensors (if applicable) and two license plate lights.
6. Unplug trailer plug wiring harness.
7. Remove trailer plug from bumper by squeezing metal tabs inward. Set aside.



8. Remove license plate lights by gently squeezing two plastic tabs inward. Set aside.
9. Using a 13mm socket, remove eight bolts attaching hitch to bumper.



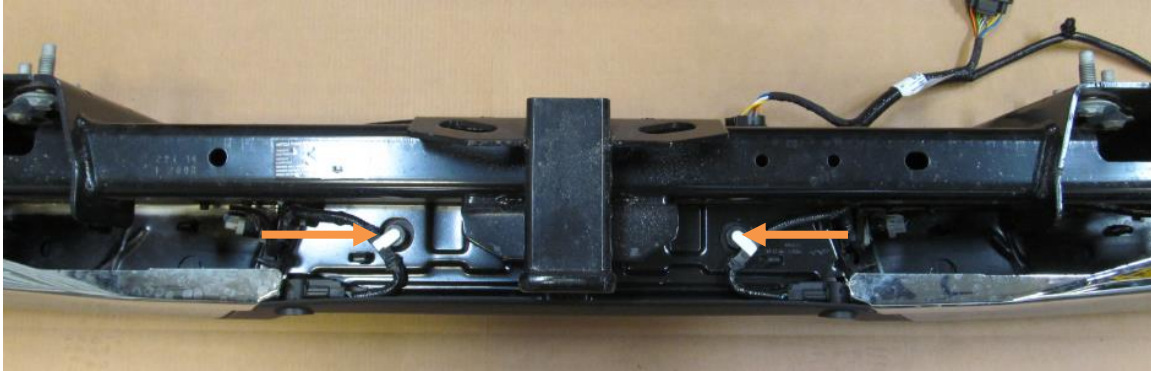
10. Using a 13mm wrench, remove two bolts attaching metal portions of bumper to receiver hitch. They are located behind the OEM license plate lights. Note: They are difficult to remove. Remove the spring nuts after removing the bolts. They will rattle if not removed.





## 2015-20XX Ford F-150

11. Rotate bumper 90°. The top of the bumper will now be on the foam or cardboard surface. Detach two plastic connectors from plastic portion of bumper.



12. Using pliers disengage four plastic tabs from hitch and separate the hitch from the bumper. Pick up on hitch to remove it from bumper.
13. Carefully remove sensors and grommets one at a time from OEM bumper and place in Hammerhead bumper. Keep them in order.

### IV. INSTALLATION OF HAMMERHEAD BUMPER

1. Install License plate lights, license plate mounting kit, and trailer connection in Hammerhead rear bumper.
2. Install flush mount LED lights at this time
3. Reinstall OEM hitch using OEM hardware.  
Note: Center hitch in frame slots and tighten hardware.
4. Using 10mm socket and OEM bolt, reattach ground wire removed in previous step 3
5. Layout Hammerhead frame mounts as shown. The next two steps will use hardware from kit #40. Using six 7/16"-14 x 1.5" bolts, twelve 7/16" flat washers, six 7/16" lock washers, and six 7/16"-14 nuts attach Hammerhead frame mounts to OEM receiver hitch. Use 5/8" wrench and socket. Do not fully tighten.





### 2015-20XX Ford F-150

6. Using six ½"-13 carriage head bolts, six ½" flat washers, six ½" lock washers, and six ½"-13 nuts fasten Hammerhead bumper to Hammerhead frame mounts. Align bumper horizontally and vertically and tighten nuts using ¾" socket. Note: Open tailgate slowly to ensure minimum of 3/8" clearance below tailgate and minimum of 3/8" clearance from truck body. NOTE: If bumper is too low when pushed all the way up, receiver hitch hardware can be loosened and hitch/bumper can be moved up.
7. Tighten ALL hardware.
8. Plug in trailer connector, license plate lights, and sensors.
9. Wire up reverse lights.



**CONGRATULATIONS!**

**Installation of your Hammerhead rear bumper is complete!**