

2014-20XX TOYOTA TUNDRA

FRONT BUMPER INSTALLATION INSTRUCTIONS



SAFETY

Know safety, no injury. Know injury, no safety. ~Author Unknown

- **READ ALL SAFETY INSTRUCTIONS BEFORE INSTALLATION**
 - FOLLOW ALL INSTRUCTIONS FOR PROPER ASSEMBLY
 - WEAR APPROPRIATE EYE PROTECTION
 - EXERCISE CARE WHEN LIFTING COMPONENTS
 - USE APPROPRIATE TORQUE FOR BOLTS
 - BLUE THREAD LOCKING COMPOUND IS RECOMMENDED ON ALL BOLTS
- SUGGESTED TORQUE VALUES FOR STEEL GRADE SAE 5 BOLTS

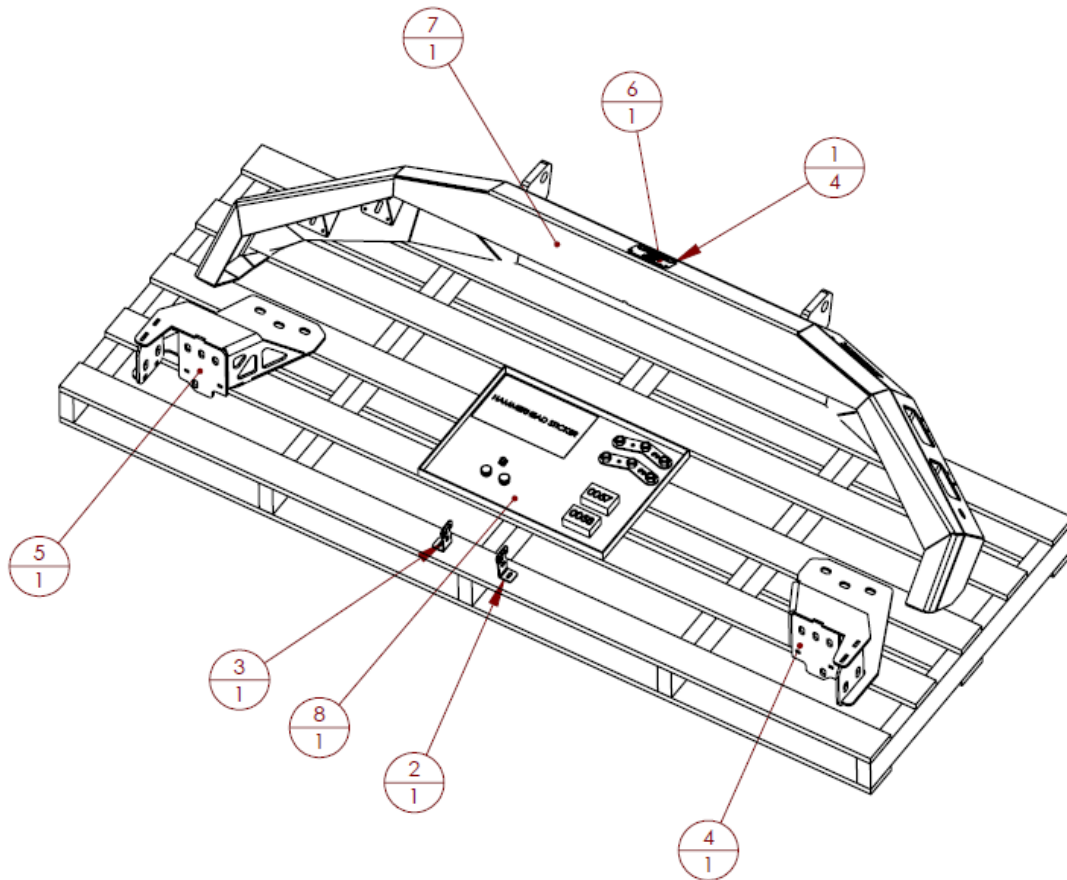
BOLT DIAMETER (INCH)	TREADS PER INCH	TORQUE (POUND-FEET)
1/4	20	7
5/16	18	14
3/8	16	25
7/16	14	40
1/2	13	60
9/16	12	88
5/8	11	120
3/4	10	200
7/8	9	302
1	8	466



2014-20XX Toyota Tundra

I. PARTS LIST

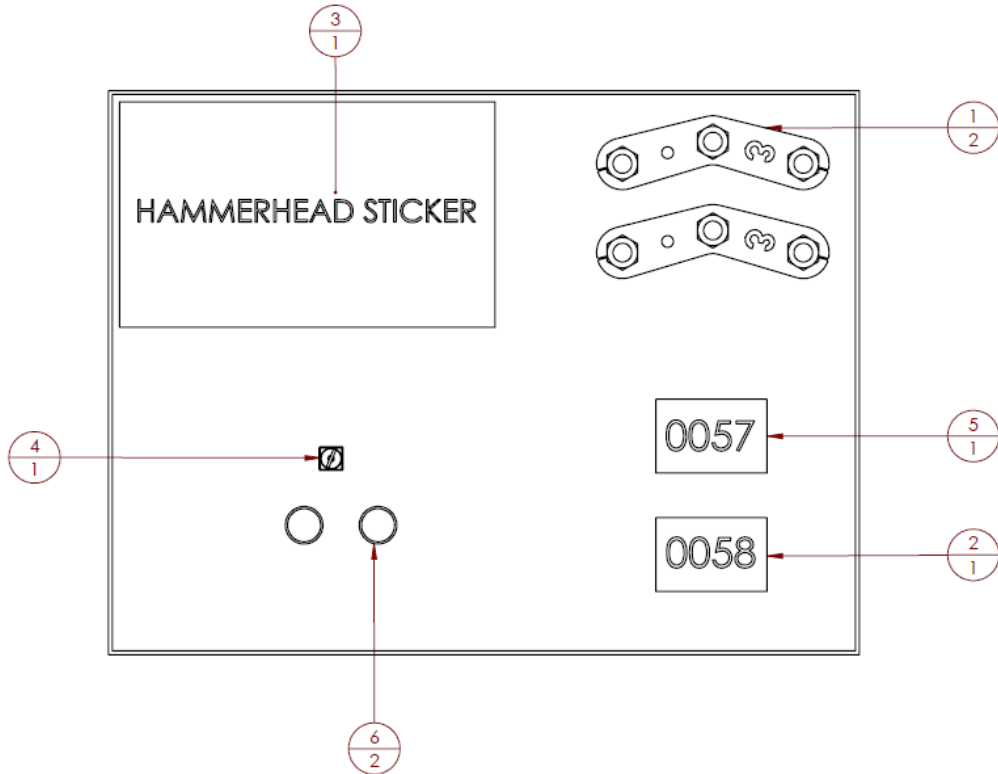
ITEM NO.	QTY.	PART NUMBER	DESCRIPTION	
1	4	318-12-0005	0.188" X 0.125" AL POP RIVET	-
2	1	601-56-2958	RIGHT BAR MOUNT	-
3	1	601-56-2959	LEFT BAR MOUNT	-
4	1	601-56-3168	LEFT SIDE FRAME MOUNT WELDMENT	-
5	1	601-56-3169	RIGHT SIDE FRAME MOUNT WELDMENT	-
6	1	601-56-9992	BLACK HAMMERHEAD LABEL W/ HOLES	-
7	1	60P-56-0565	600-56-0565 POLISHED	-
8	1	60H-56-0119	INSTALL KIT #119	-





2014-20XX Toyota Tundra

ITEM NO.	QTY	PART NUMBER	DESCRIPTION	
1	2	601-56-2868	WELDNUT TAB 3	-
2	1	60K-56-0058	HARDWARE KIT #58	-
3	1	409-01-0125	HAMMERHEAD STICKER	-
4	1	443-01-0086	LICENSE PLATE MOUNTING KIT	-
5	1	60K-56-0057	HARDWARE KIT #57	-
6	2	316-01-0004	1.00" PLUG BT-FLUSH LDPE BLACK	-



II. TOOL LIST

1. 17mm socket
2. 14mm socket
3. 10mm socket
4. Flathead screwdriver
5. 3/4" wrench
6. 3/4" socket



2014-20XX Toyota Tundra

III. REMOVAL OF OEM BUMPER

1. Remove clip (both sides)



2. Using 10mm socket, remove three bolts from skidplate



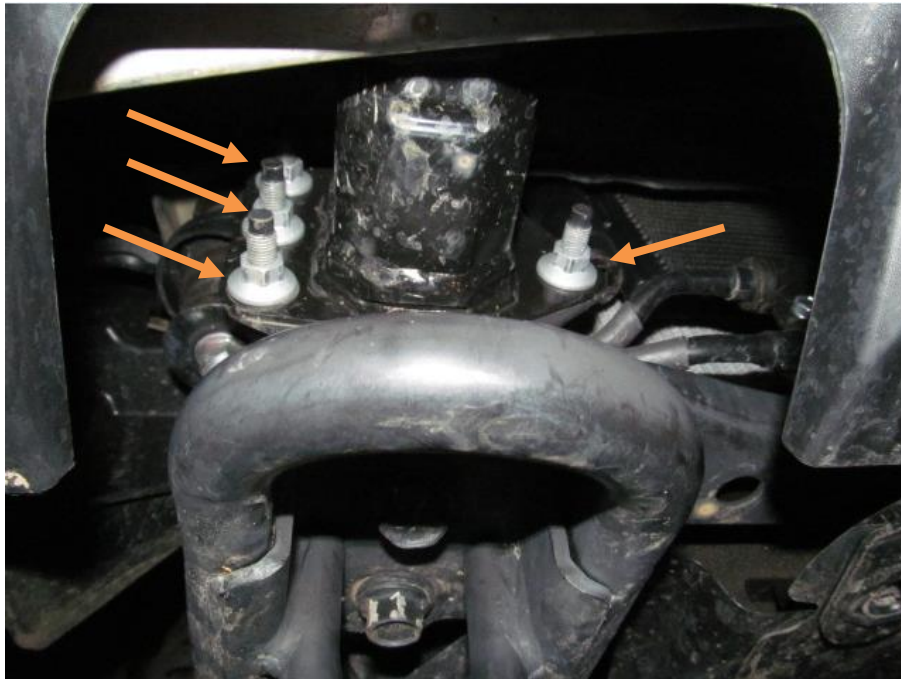


2014-20XX Toyota Tundra

- Using 17mm socket, Remove two bolts holding on OEM tow hooks.
(both sides)



- Using 14mm socket, Remove four nuts holding on OEM bumper.
(both sides) Be careful, the bumper will be ready to come off after these bolts are removed.





2014-20XX Toyota Tundra

5. Pull bumper forward off of studs and move down so inner fenders will clear frame.

IV. INSTALLATION OF HAMMERHEAD BUMPER

1. Layout frame mounts as shown.



2. Using OEM hardware, bolt Hammerhead frame mounts to OEM bumper mounts. Place in center of slots. Do not fully tighten.





2014-20XX Toyota Tundra

3. Install Hammerhead bumper using Hardware Kit # 1.
4. Align bumper and fully tighten all hardware.

