

2007-2010, CHEVY, 2500-3500

FRONT BUMPER INSTALLATION INSTRUCTIONS



SAFETY

Know safety, no injury. Know injury, no safety. ~Author Unknown

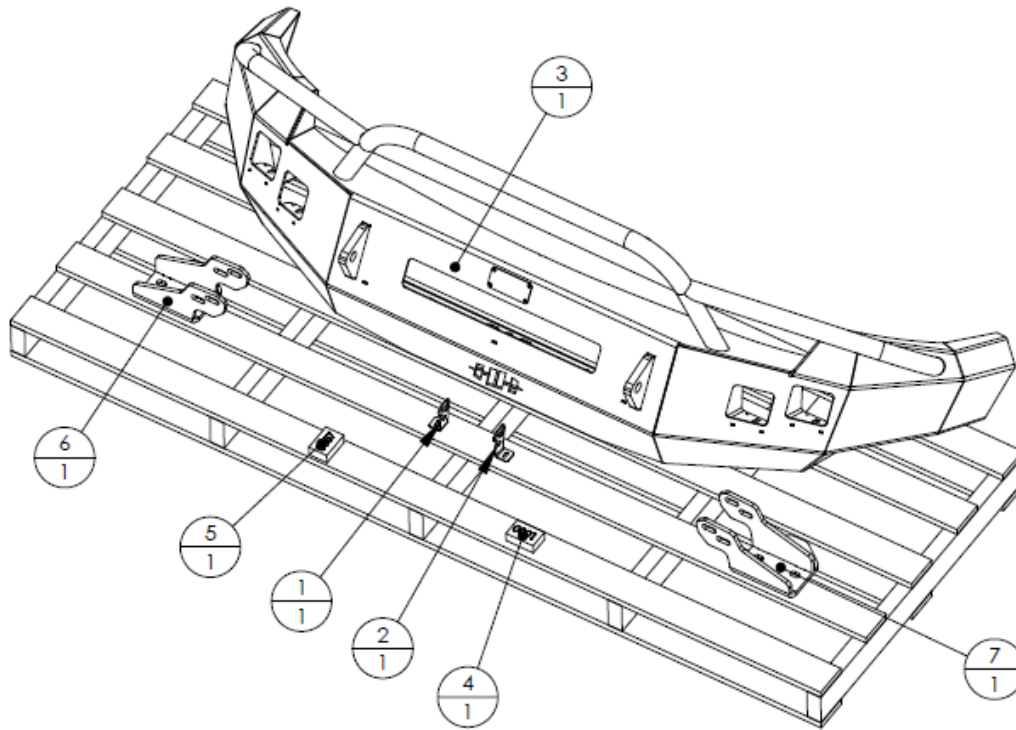
If there are any questions, call 1-855-HHTOUGH

- **READ ALL SAFETY INSTRUCTIONS BEFORE INSTALLATION**
 - FOLLOW ALL INSTRUCTIONS FOR PROPER ASSEMBLY
 - WEAR APPROPRIATE EYE PROTECTION
 - EXERCISE CARE WHEN LIFTING COMPONENTS
 - USE APPROPRIATE TORQUE FOR BOLTS

SUGGESTED TORQUE VALUES FOR STEEL GRADE SAE 5 BOLTS

BOLT DIAMETER (INCH)	TREADS PER INCH	TORQUE (POUND-FEET)
1/4	20	7
5/16	18	14
3/8	16	25
7/16	14	40
1/2	13	60
9/16	12	88
5/8	11	120
3/4	10	200
7/8	9	302
1	8	466

I. PARTS LIST



ITEM NO.	QTY.	PART NUMBER	DESCRIPTION
1	1	601-56-2958	RIGHT BAR MOUNT
2	1	601-56-2959	LEFT BAR MOUNT
3	1	60A-56-0575	600-56-0575 ASSEMBLED
4	1	60K-56-0001	HARDWARE KIT #1
5	1	60K-56-0057	HARDWARE KIT #57
6	1	60P-56-1438	PASS FRAME MOUNT WELDMENT
7	1	60P-56-1439	DRIVER FRAME MOUNT WELDMENT

II. TOOL LIST

1. Basic tool set
2. 3/4" wrench
3. 3/4" socket
4. 7/16" socket and wrench
5. 10mm socket
6. 15mm socket
7. 18mm socket and wrench
8. Flathead screw driver
9. Pliers
10. 21mm socket



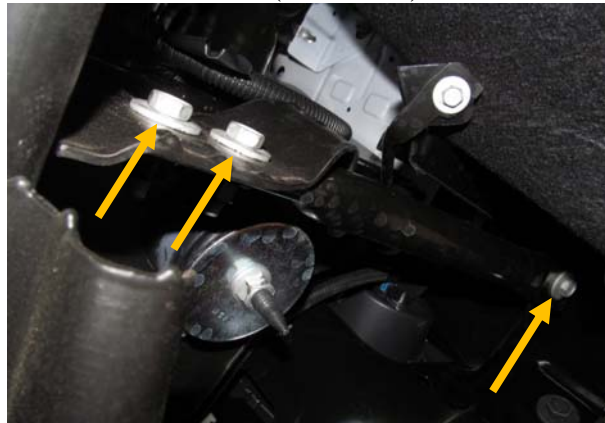
2007-2010, CHEVY 2500-3500 FRONT

III. REMOVAL OF OEM BUMPER

1. Remove all components from box and compare to parts list above.
2. Unplug OEM fog lights. (if applicable)
3. Using 10mm socket, remove two bolts attaching lower fenderwell to bumper. (both sides)

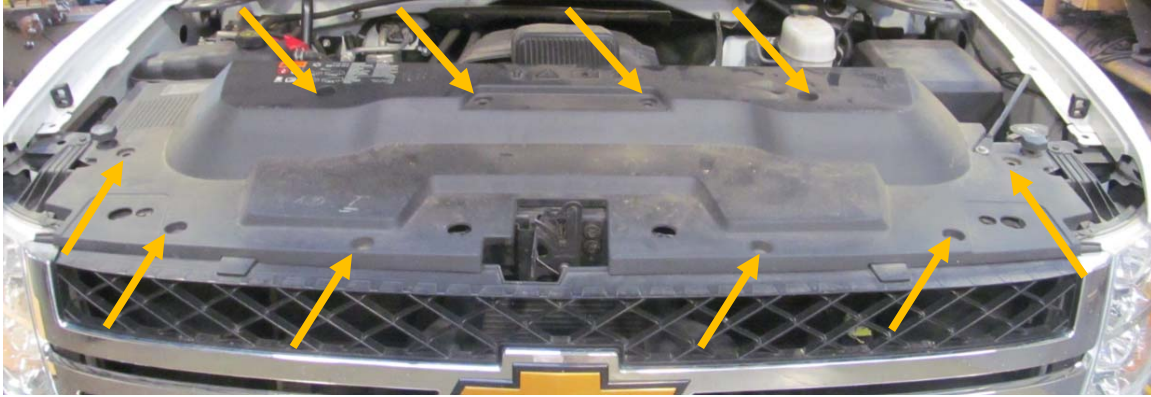


4. Using 15mm socket, remove three bolts attaching side bumper brace to frame. Set brace aside. (both sides)

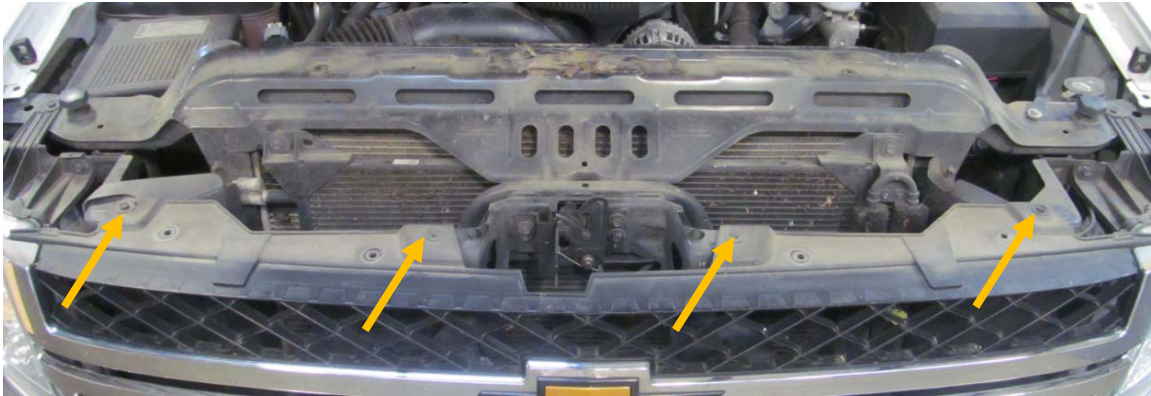


2007-2010, CHEVY 2500-3500 FRONT

5. Open hood and remove ten clips from shroud. Set shroud aside. It will be reused. NOTE: A flathead screw driver can be used to gently pry up the inside of the clip. Then pry up the body of the clip.



6. Using 10mm socket, remove four screws attaching top of grill to truck. Screws will be reused.



7. There are six metal clips on the back of the grill that need to be removed. You can access them from the top of the grill. Start on the right side of the truck and work towards the left. Use a set of pliers to gently squeeze on the back of the metal clips while gently pushing in on the grill. After the clip is disengaged, gently pull out. Set grill aside. It will be reused.

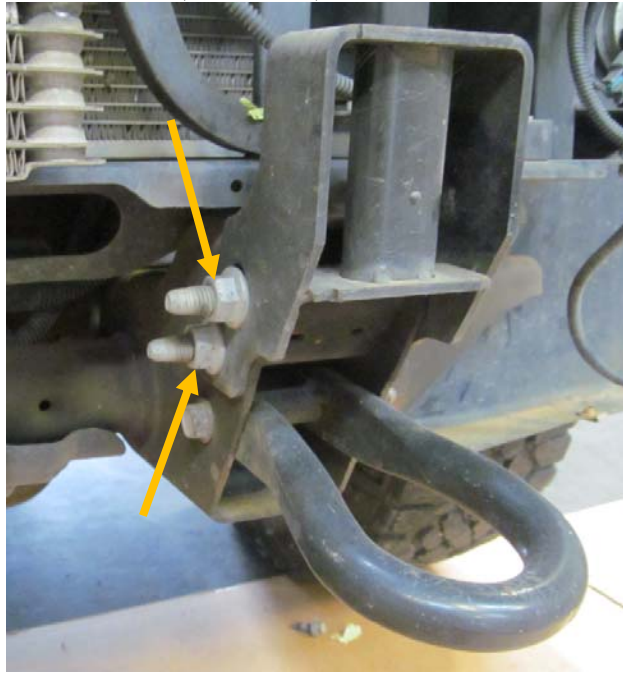
8. Using 21mm socket, remove two bolts attaching OEM bumper OEM mounts. Remove bumper and set aside.





2007-2010, CHEVY 2500-3500 FRONT

- Using 21mm socket, remove two nuts on OEM bolt strip attaching OEM frame mounts to frame. Remove bolt strip and mounts. Bolt strip will be reused. (both sides)



- Using 18mm socket and wrench, remove two bolts attaching OEM tow hook to frame. Set tow hook aside. (both sides)



- Reinstall grill and shroud with OEM hardware.

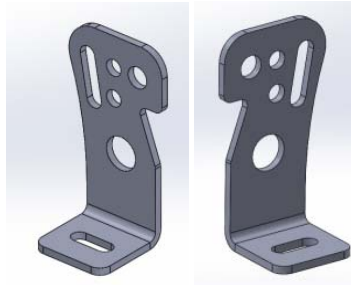
IV. INSTALLATION OF HAMMERHEAD BUMPER

- Install all lights in Hammerhead bumper at this time. Use included bar mount brackets (601-56-2958 and 2959) and Hardware kit #57 to attach 20" bar in bumper to mount in bumper. Use hole in



2007-2010, CHEVY 2500-3500 FRONT

bracket and bumper that works best with your light bar. Tighten bolts from hardware kit #57 with 7/16" socket and wrench.



2958 and 2959 brackets



2. Layout Hammerhead frame mounts and OEM bolt strips as shown.



3. Attach Hammerhead frame mounts to OEM frame with OEM bolt strips. Push mounts to top of slots and tighten.
NOTE: Insert bolt strips from the outside.





2007-2010, CHEVY 2500-3500 FRONT

4. In this step you will use hardware from kit # 1. Install and align Hammerhead bumper using six ½” -13 x 2” bolts, 12 ½” flat washers, six ½” lock washers and six ½”-13 nuts. Use this hardware to attach bumper to HH frame mounts. Use ¾” socket and wrench to tighten bolts.

NOTE: Align bumper a minimum of ¼” below headlights. When truck flexes off-road, this distance allows your bumper and body to have clearance. Tighten all hardware.

5. Trim plastic fender wells to match bumper. (both sides)



Congratulations! Your bumper installation is now complete.
Thank you for your purchase.