

2017-20XX, FORD, F250-550

REAR BUMPER INSTALLATION INSTRUCTIONS



SAFETY

Know safety, no injury. Know injury, no safety. ~Author Unknown

If there are any questions, call 1-855-HHTOUGH

- **READ ALL SAFETY INSTRUCTIONS BEFORE INSTALLATION**
 - FOLLOW ALL INSTRUCTIONS FOR PROPER ASSEMBLY
 - WEAR APPROPRIATE EYE PROTECTION
 - EXERCISE CARE WHEN LIFTING COMPONENTS
 - USE APPROPRIATE TORQUE FOR BOLTS
 - BLUE THREAD LOCKING COMPOUND IS RECOMMENDED ON ALL BOLTS

California Proposition 65



WARNING

Cancer and Reproductive Harm

www.P65Warnings.ca.gov

DO NOT PAINT OVER THIS LABEL. REPLACE IF DAMAGED OR LOST

DKB150_00



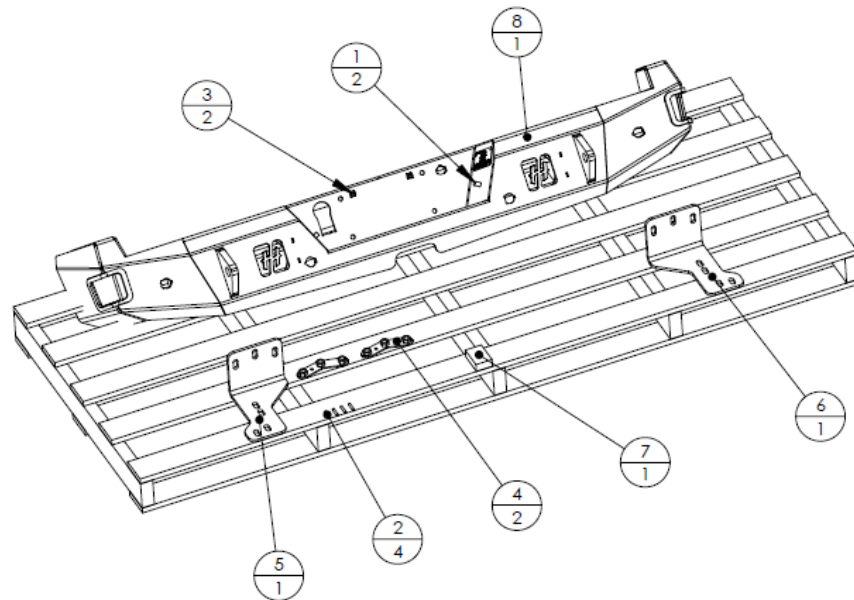
2017-20XX, FORD, F250-350

Suggested Torque Values For Steel Grade 5 Standard Bolts		
BOLT DIAMETER (INCH)	THREADS PER INCH	TORQUE (POUND - FEET)
1/4	20	7
5/16	18	14
3/8	16	25
7/16	14	40
1/2	13	60
9/16	12	88
5/8	11	120
3/4	10	200
7/8	9	302
1	8	466

Suggested Torque Values For Steel Grade 8.8 Metric Bolts		
BOLT DIAMETER (mm)	THREAD PITCH (mm)	TORQUE (POUND-FEET)
6	1.0	7
8	1.25	16
10	1.5	32
12	1.75	55
14	2.0	88
16	2.0	140
18	2.5	195
20	2.5	275
22	2.5	375
24	3.0	475

I. PARTS LIST

ITEM NO.	QTY.	PART NUMBER	DESCRIPTION
1	2	307-07-0008	12V COOL WHITE LED 120DEG BLK
2	4	307-09-0135	BUTT SPLICE 22/16 RED, HEATSINK
3	2	443-01-0086	LICENSE PLATE MOUNTING KIT
4	2	601-56-2868	WELDNUT TAB 3
5	1	601-56-3697	L FRAME MOUNT
6	1	601-56-3698	R BUMP MOUNT
7	1	60K-56-0053	HARDWARE KIT #53
8	1	60P-56-0591 OR 0592	REAR BUMPER

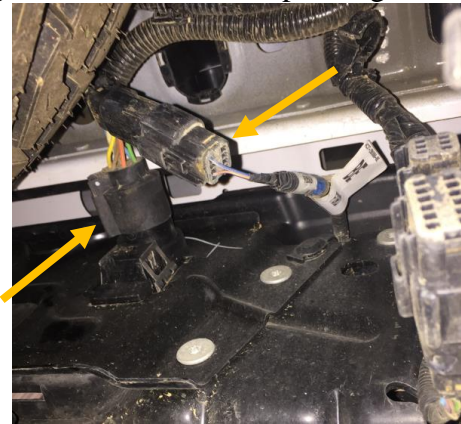


II. TOOL LIST

1. Basic tool set
2. 3/4" wrench
3. 3/4" socket
4. 21mm deep well socket
5. 13mm socket
6. Wire crimping pliers
7. Wire stripper pliers

III. REMOVAL OF OEM BUMPER

1. Unplug trailer plug, sensors, and license plate lights if applicable.



2. Using 21mm deep well socket, remove four nuts attaching bumper to frame. (both sides)



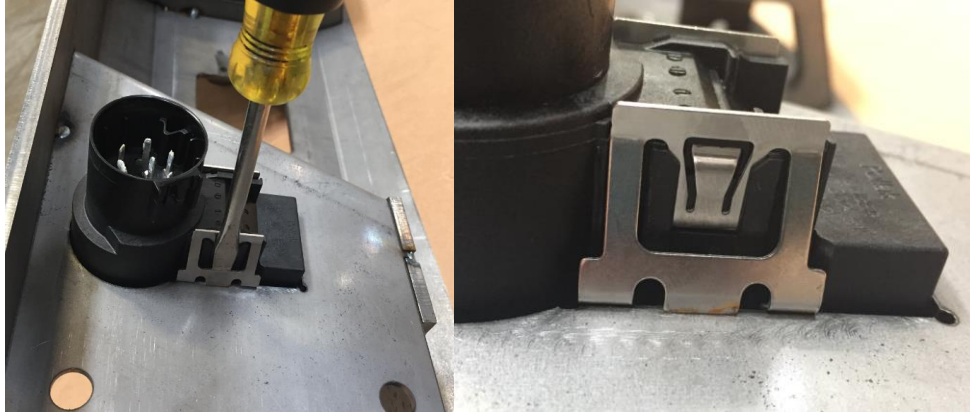
3. Using 13mm socket, remove two bolts attaching bumper to receiver hitch. Bumper is now ready to be removed. Set aside; it will not be reused.



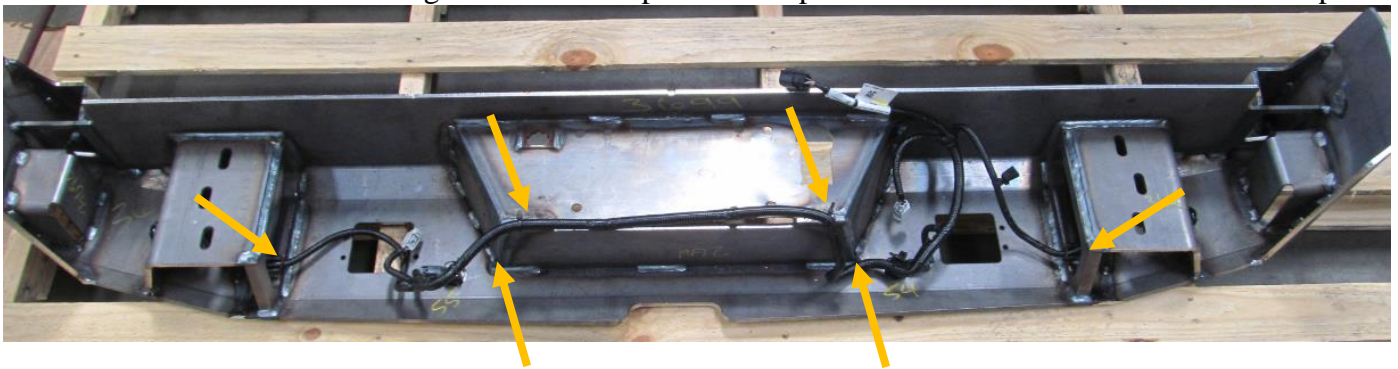
4. Remove license plate lights, trailer connector, sensors, sensor grommets, spare tire access lock, and wiring harnesses from bumper.

IV. **INSTALLATION OF HAMMERHEAD BUMPER**

1. Install OE license plate lights, trailer connector, sensor grommets, sensors, spare tire access lock and wiring harness in bumper.
2. Install trailer connector in bumper. Use a flat head screwdriver to pull out on the metal clips to ensure the middle of the connector is engaged properly.



3. Install OE sensor grommets and sensors in bumper.
4. Install OE wiring harness in bumper. Place zip ties @ arrows to attach harness to bumper.



5. Install lights in bumper
 - A. Flush mount bumper- Install flush mounts lights using light manufacturers provided hardware.
 - B. Standard bumper – install provided 4” round lights in cutout and then install grommet. From front of bumper push lights in grommet to complete installation.
6. Connect existing license plate wires to provided LED lights. Use supplied
7. Layout OE bolt strips, nuts, and Hammerhead frame mounts as shown.



8. Install Hammerhead frame mounts on frame as shown using OE bolt strips. Slide mounts away from truck as far as possible. Do not fully tighten.



9. Using hardware kit # 53 and two weldnut tabs, attach bumper to HH frame mounts. Do not fully tighten.



10. Align bumper horizontally and vertically and tighten nuts using $\frac{3}{4}$ " socket. Note: Open tailgate slowly to ensure minimum of $\frac{3}{8}$ " clearance below tailgate and minimum of $\frac{3}{8}$ " clearance from truck body.
11. Plug in trailer connector and license plate/sensor harness.



Congratulations! Your product installation is now complete.
Thank you for your purchase.