

# 1999-2004, Ford, F-250-550

## FRONT BUMPER INSTALLATION INSTRUCTIONS



## SAFETY

**Know safety, no injury. Know injury, no safety. ~Author Unknown**

If there are any questions, call 1-855-HHTOUGH

- **READ ALL SAFETY INSTRUCTIONS BEFORE INSTALLATION**
  - FOLLOW ALL INSTRUCTIONS FOR PROPER ASSEMBLY
  - WEAR APPROPRIATE EYE PROTECTION
  - EXERCISE CARE WHEN LIFTING COMPONENTS
  - USE APPROPRIATE TORQUE FOR BOLTS

California Proposition 65



**WARNING**

Cancer and Reproductive Harm

[www.P65Warnings.ca.gov](http://www.P65Warnings.ca.gov)

DO NOT PAINT OVER THIS LABEL. REPLACE IF DAMAGED OR LOST

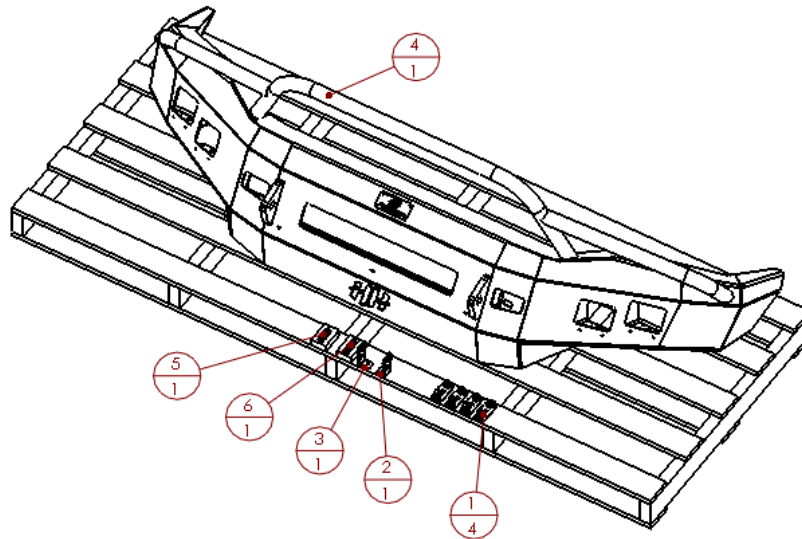
DKB150\_00

Suggested Torque Values For Steel Grade 5 Standard Bolts		
BOLT DIAMETER (INCH)	THREADS PER INCH	TORQUE (POUND - FEET)
1/4	20	7
5/16	18	14
3/8	16	25
7/16	14	40
1/2	13	60
9/16	12	88
5/8	11	120
3/4	10	200
7/8	9	302
1	8	466

Suggested Torque Values For Steel Grade 8.8 Metric Bolts		
BOLT DIAMETER (mm)	THREAD PITCH (mm)	TORQUE (POUND- FEET)
6	1.0	7
8	1.25	16
10	1.5	32
12	1.75	55
14	2.0	88
16	2.0	140
18	2.5	195
20	2.5	275
22	2.5	375
24	3.0	475

**I. PARTS LIST**

ITEM NO.	QTY	PART NUMBER	DESCRIPTION	
1	4	601-56-0611	WELDNUT TAB 5	-
2	1	601-56-2958	RIGHT BAR MOUNT	-
3	1	601-56-2959	LEFT BAR MOUNT	-
4	1	60A-56-0618	600-56-0618 ASSEMBLED	-
5	1	60K-56-0057	HARDWARE KIT #57	-
6	1	60K-56-0062	HARDWARE KIT #62	-





## 1999-2004 Ford F-250-550 Front

### II. TOOL LIST

1. Basic tool set
2. 3/4" wrench
3. 3/4" socket
4. 18mm socket
5. 13mm socket
6. 15mm socket
7. 7/16" socket
8. 7/16" wrench

### III. REMOVAL OF OEM BUMPER

1. Remove all components from box and compare to parts list above
2. Unplug OEM fog lights.
3. Using 13mm socket, remove bolt attaching OEM bumper side bracket to frame. (both sides)



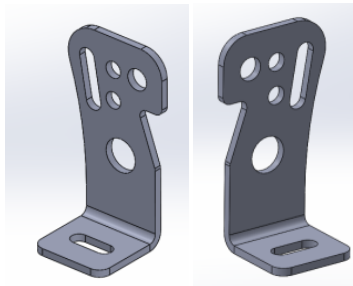
4. Using 18mm socket, remove four OEM bumper bolts. Remove bumper and set aside.



5. Using 15mm socket, remove six bolts attaching OEM tow hooks to frame and set hooks aside.

#### IV. INSTALLATION OF HAMMERHEAD BUMPER

1. Install all lights in Hammerhead bumper at this time. Use included Bar mount brackets (601-56-2958 and 2959) and Hardware kit #57 to attach 20" bar in bumper to mount in bumper. Use hole in bracket and bumper that works best with your light bar. Tighten bolts from hardware kit #57 with 7/16" socket and wrench.



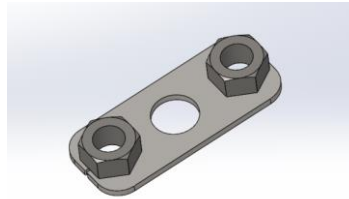
2958 and 2959 brackets

2. Using hardware from kit #62, Install bumper on OEM bumper mount flanges. Each mount will use four 1/2"-13 x 2 bolts, four 1/2" flat



## 1999-2004 Ford F-250-550 Front

washers, four ½” lock washers. Use “Weldnut tab 5” (601-56-0611) on the bumper side of the mounts and thread bolts in from the truck side.



Weldnut tab 5 (601-56-0611)

Align bumper a minimum of ¼” below headlights. When truck flexes off-road, this distance allows your bumper and body to have clearance. Use a ¾” wrench or socket to tighten all hardware.



Congratulations! Your bumper installation is now complete.  
Thank you for your purchase.