

1997-2006 JEEP TJ

FRONT FULL WIDTH BUMPER INSTALLATION INSTRUCTIONS



SAFETY

Know safety, no injury. Know injury, no safety. ~Author Unknown

If there are any questions, call 1-855-HHTOUGH

- **READ ALL SAFETY INSTRUCTIONS BEFORE INSTALLATION**

- FOLLOW ALL INSTRUCTIONS FOR PROPER ASSEMBLY
- WEAR APPROPRIATE EYE PROTECTION
- EXERCISE CARE WHEN LIFTING COMPONENTS
- USE APPROPRIATE TORQUE FOR BOLTS
- BLUE THREAD LOCKING COMPOUND IS RECOMMENDED ON ALL BOLTS

- SUGGESTED TORQUE VALUES FOR STEEL GRADE SAE 5 BOLTS

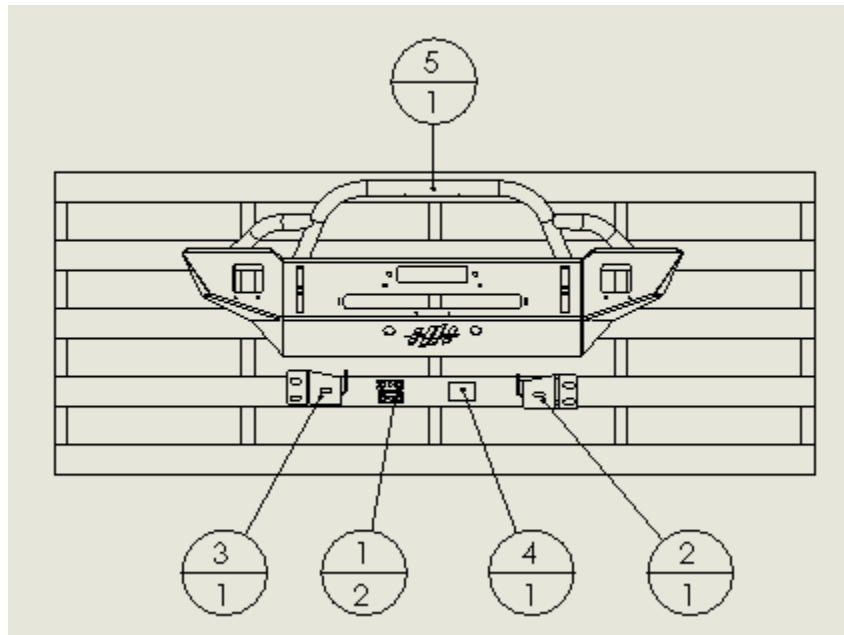
BOLT DIAMETER (INCH)	TREADS PER INCH	TORQUE (POUND-FEET)
1/4	20	7
5/16	18	14
3/8	16	25
7/16	14	40
1/2	13	60
9/16	12	88
5/8	11	120
3/4	10	200
7/8	9	302
1	8	466



1997 – 2006 Jeep TJ

I. PARTS LIST

ITEM NO.	QTY.	PART NUMBER	DESCRIPTION
1	2	601-56-3731	WELDNUT TAB
2	1	601-56-3863	RIGHT FRAME MOUNT ASSEMBLY
3	1	601-56-3864	LEFT FRAME MOUNT ASSEMBLY
4	1	60K-56-0110	HARDWARE KIT #110
5	1	60P-56-0626	JEEP TJ FULL WIDTH FRONT BUMPER



II. TOOL LIST

1. A good friend
2. Basic tool kit
3. T55 star bit
4. 3/4 in wrench
5. 3/4 in socket



1997 – 2006 Jeep TJ

III. VEHICLE PREPARATION

1. Using the T55 star bit remove the OEM bumper. There are 2 bolts on the top of the frame and one bolt on the bottom of the frame on each side of the bumper.



IV. HAMMERHEAD FULL WIDTH BUMPER INSTALLATION

1. Place the frame mounts on the frame as shown and bolt the frame mounts in place with 6 bolts, 6 washers, and 6 lock washers. 2 bolts in top and 1 bolt in the bottom of the frame on each side.
2. If installing 20" single row light bar it and the winch must be installed before the bumper in placed on the jeep.





1997 – 2006 Jeep TJ

3. Place the bumper on the frame mounts and bolt in place as shown using the weldnut tabs for the inside of the top bolts, 6 bolts, 8 washers, 6 lock washers, and 2 nuts on the bottom bolts.



4. Adjust your bumper for fitment then tighten all bolts with your $\frac{3}{4}$ " wrench and/or your $\frac{3}{4}$ socket.



1997 – 2006 Jeep TJ





1997 – 2006 Jeep TJ

**CONGRATULATIONS!! YOUR
HAMMERHEAD TJ FRONT STINGER
BUMPER IS FULLY INSTALLED**