

2007-2016 Jeep Wrangler JK

FRONT BUMPER INSTALLATION INSTRUCTIONS



SAFETY

Know safety, no injury. Know injury, no safety. ~Author Unknown

- **READ ALL SAFETY INSTRUCTIONS BEFORE INSTALLATION**
 - FOLLOW ALL INSTRUCTIONS FOR PROPER ASSEMBLY
 - WEAR APPROPRIATE EYE PROTECTION
 - EXERCISE CARE WHEN LIFTING COMPONENTS
 - USE APPROPRIATE TORQUE FOR BOLTS
 - BLUE THREAD LOCKING COMPOUND IS RECOMMENDED ON ALL BOLTS
 - CHECK TORQUE AFTER FIRST 100 MILES

If there are any questions, call 1-855-HHTOUGH



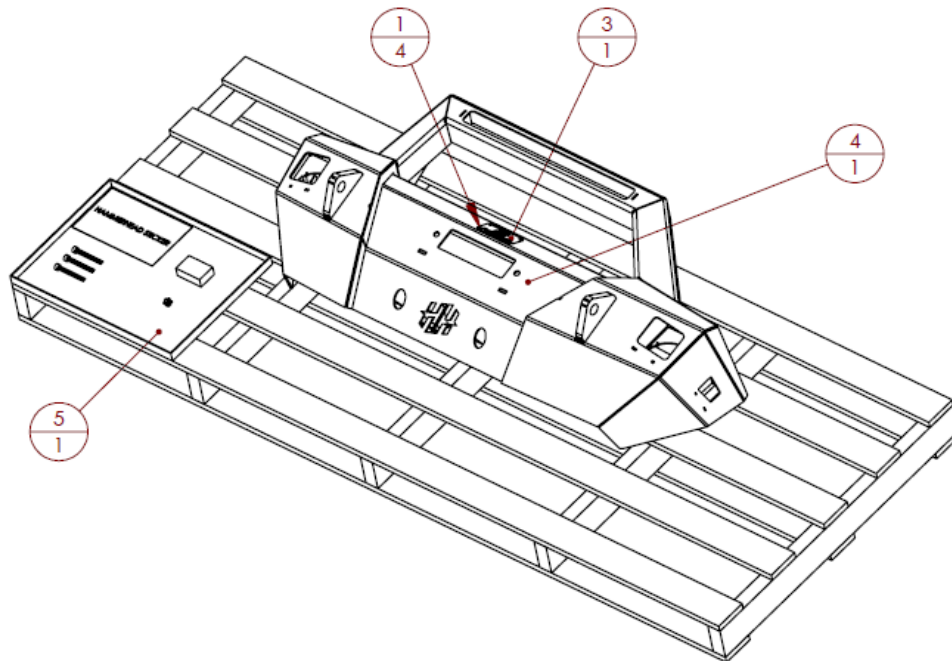
2007-2016 Jeep Wrangler JK Front Bumper

I. TOOL LIST

1. Phillips head screwdriver
2. 18mm socket
3. 18mm wrench
4. Ratchet
5. 3/4" socket

II. PARTS LIST

ITEM NO.	QTY.	PART NUMBER	DESCRIPTION
1	4	318-12-0005	0.188" X 0.125" AL POP RIVET
2	1	601-56-2061	16" 16 GA WIRING HARNESS EXT
3	1	601-56-9992	BLACK HAMMERHEAD LABEL W/ HOLES
4	1	60P-56-0627	JEEP JK AGGRESSIVE FRONT STUBBY BUMPER
5	1	60H-56-0108	INSTALL KIT #108





2007-2016 Jeep Wrangler JK Front Bumper

III. REMOVAL OF OEM BUMPER

1. Using Phillips head screwdriver, remove 4 plastic clips from front of OEM “skid plate”.





2007-2016 Jeep Wrangler JK Front Bumper

- Using Phillips head screwdriver, remove 2 plastic clips from back of OEM “skid plate.”



- Unplug OEM fog lights.



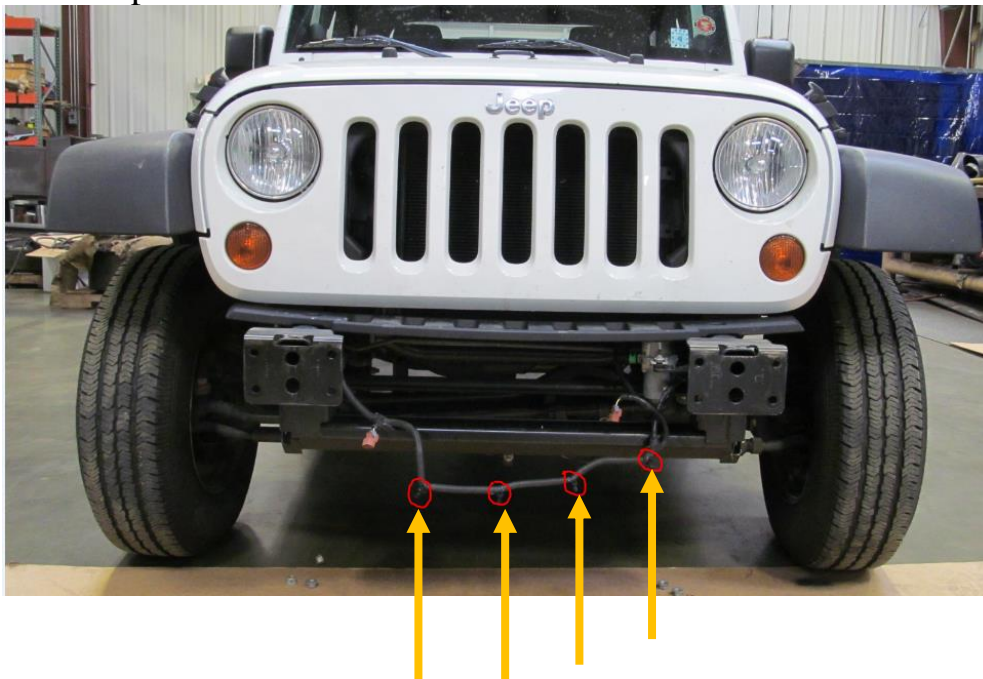


2007-2016 Jeep Wrangler JK Front Bumper

- Using 18mm socket and ratchet, remove eight OEM bumper nuts. (4 per side)



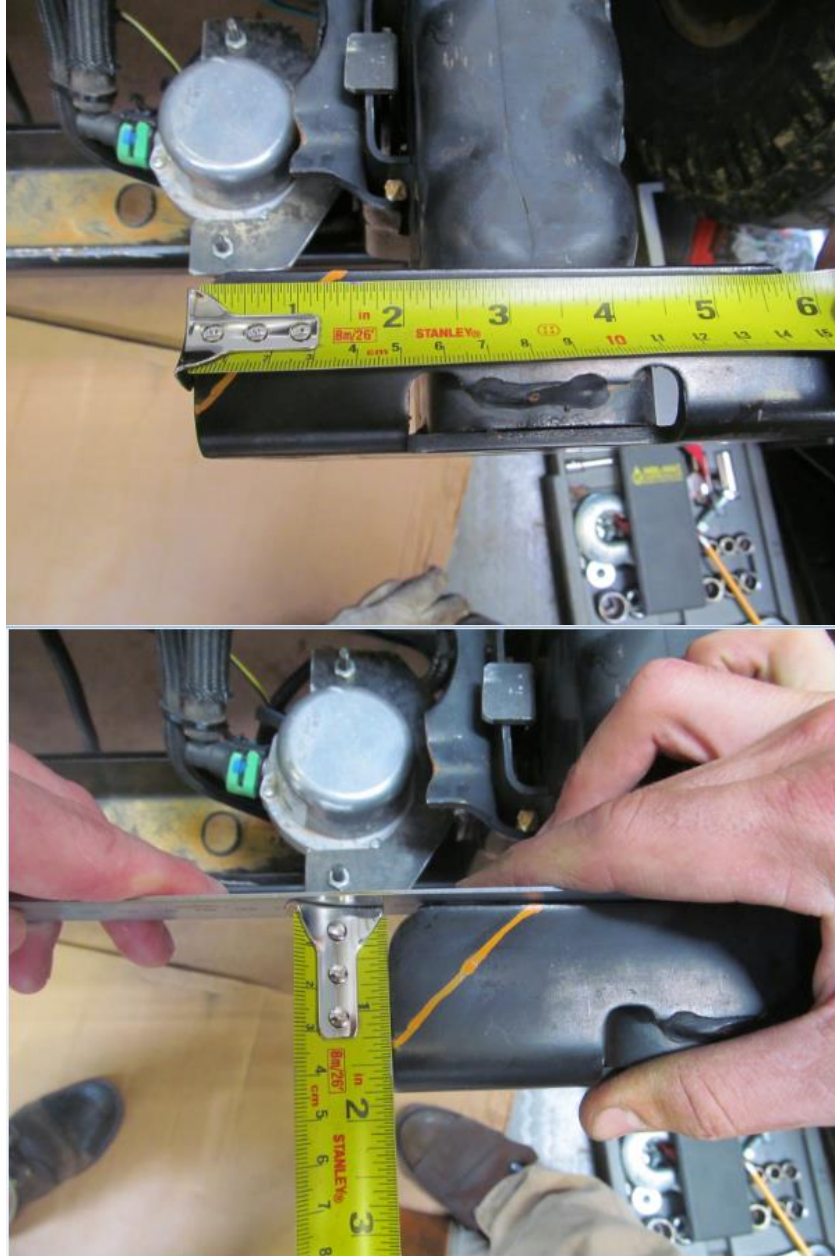
- Pull bumper forward and remove OEM fog light clips from OEM bumper.





2007-2016 Jeep Wrangler JK Front Bumper

6. If you are using a Warn Zeon winch, the frame mounting flanges will need to be trimmed. Measure 1.25" from the edge of the flange and draw a line connecting the two points.





2007-2016 Jeep Wrangler JK Front Bumper

7. Cover the front of your Jeep and cut @ the lines you just marked.





2007-2016 Jeep Wrangler JK Front Bumper

8. If you are using a Warn Zeon winch, the vacuum pump will need to be relocated. Remove OEM nuts holding on vacuum pump and lower the vacuum pump. Do not remove any connections. Mark front of bracket 1" from frame (orange arrow). Cover front of Jeep and trim bracket. Install Hammerhead vacuum pump relocation bracket using supplied hardware.



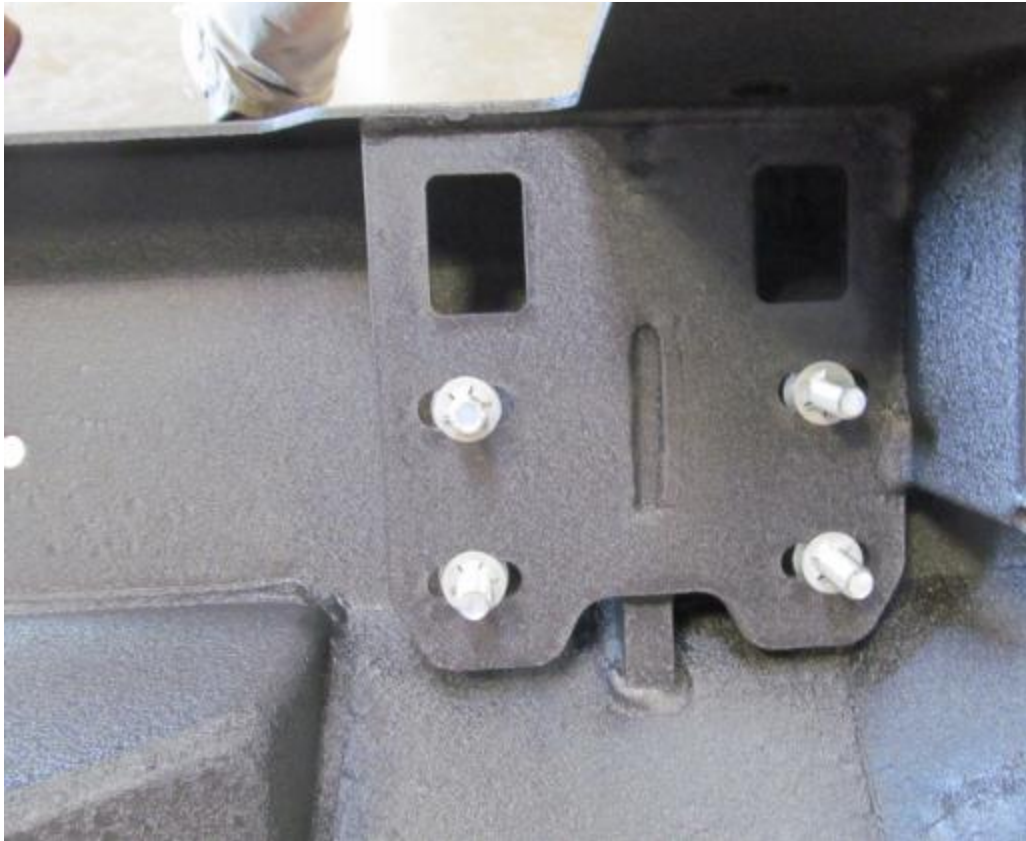


2007-2016 Jeep Wrangler JK Front Bumper

IV. INSTALLATION OF HAMMERHEAD BUMPER

NOTE: Winch will install after bumper is attached to vehicle.

1. Install four ½”-13 x 1.5” carriage head bolts in bumper with push nuts. (both sides)



2. Install Hammerhead bumper and hand tighten bolts.
3. Align bumper and torque all bolts to spec.
4. Install winch at this time.



2007-2016 Jeep Wrangler JK Front Bumper

Congratulations!

Your product installation is now complete.

Thank you for your purchase.

