

2007-2013 CHEVROLET 1500

FRONT BUMPER INSTALLATION INSTRUCTIONS



SAFETY

Know safety, no injury. Know injury, no safety. ~Author Unknown

- **READ ALL SAFETY INSTRUCTIONS BEFORE INSTALLATION**
 - FOLLOW ALL INSTRUCTIONS FOR PROPER ASSEMBLY
 - WEAR APPROPRIATE EYE PROTECTION
 - EXERCISE CARE WHEN LIFTING COMPONENTS
 - USE APPROPRIATE TORQUE FOR BOLTS
 - BLUE THREAD LOCKING COMPOUND IS RECOMMENDED ON ALL BOLT

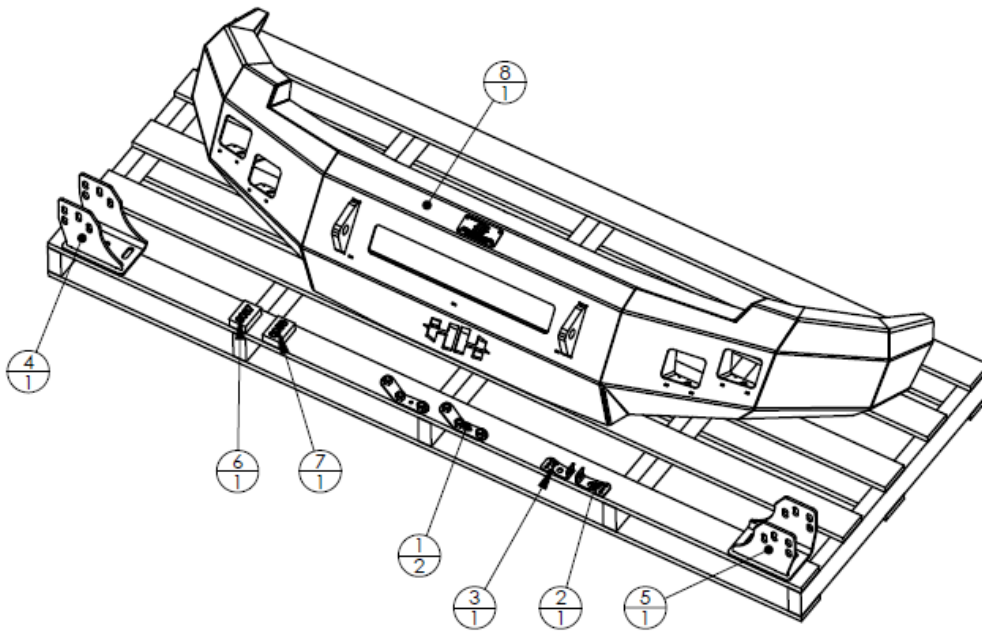
 - SUGGESTED TORQUE VALUES FOR STEEL GRADE SAE 5 BOLT

BOLT DIAMETER (INCH)	TREADS PER INCH	TORQUE (POUND-FEET)
1/4	20	7
5/16	18	14
3/8	16	25
7/16	14	40
1/2	13	60
9/16	12	88
5/8	11	120
3/4	10	200
7/8	9	302
1	8	466



I. PARTS LIST

ITEM NO.	QTY.	PART NUMBER	DESCRIPTION	
1	2	601-56-2868	WELDNUT TAB 3	-
2	1	601-56-2958	RIGHT BAR MOUNT	-
3	1	601-56-2959	LEFT BAR MOUNT	-
4	1	601-56-3883	RIGHT FRAME MOUNT WELDMENT	-
5	1	601-56-3884	LEFT FRAME MOUNT WELDMENT	-
6	1	60K-56-0057	HARDWARE KIT #57	-
7	1	60K-56-0058	HARDWARE KIT #58	-
8	1	60P-56-0673	600-56-0673 POLISHED	-



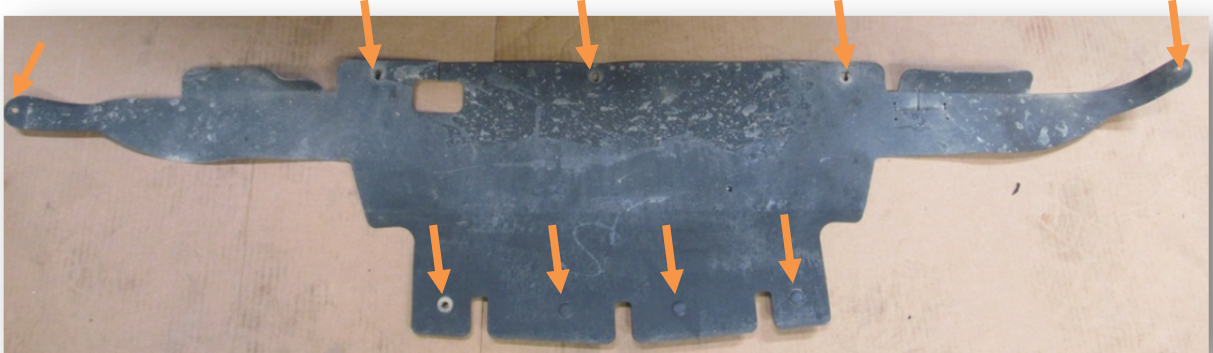
II. TOOL LIST

1. 15mm socket
2. 21mm socket
3. 18mm socket
4. 18mm wrench
5. 3/4" socket
6. Trim tool

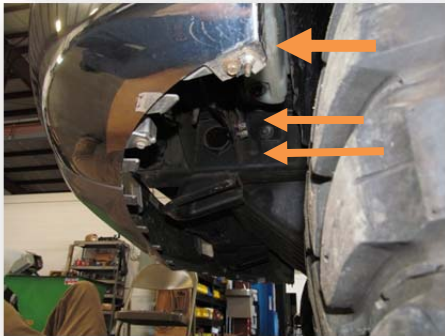


III. REMOVAL OF OEM BUMPER

1. Using trim tool, remove 9 dart clips holding rubber shroud to vehicle. This shroud is located under the radiator.



2. Using 15mm socket, remove three bolts attaching outer brace to bumper and frame. Remove brace and set aside. (Both sides)



3. Using a 21mm socket remove two nuts from the bolt strip attaching the bumper to the frame of vehicle. (both sides)





3. Remove bolt strip from vehicle (both sides) Remove bumper and set aside.

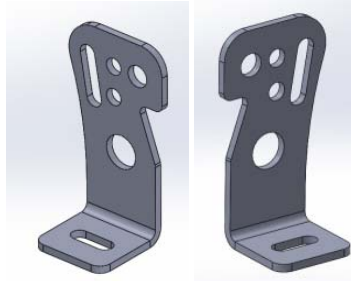


4. Using 18mm socket and wrench remove the bolts attaching the tow hook to the frame. Remove tow hook and set aside. (both sides).



IV. INSTALLATION OF HAMMERHEAD BUMPER

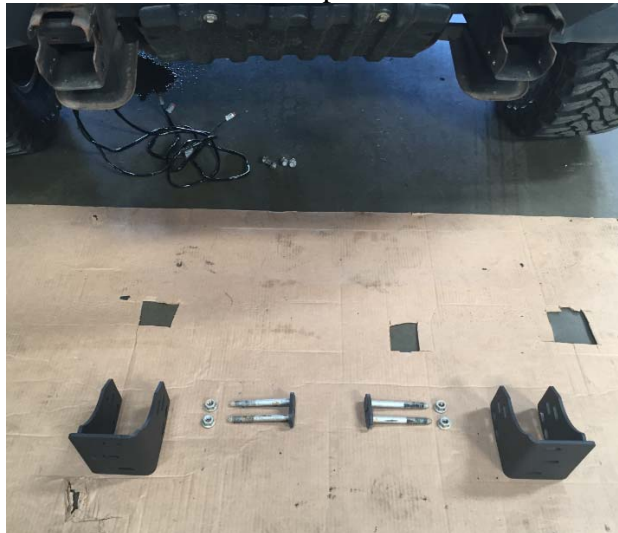
1. Install all lights in Hammerhead bumper at this time. Use included bar mount brackets (601-56-2958 and 2959) and Hardware kit #57 to attach 20" bar in bumper to mount in bumper. Use hole in bracket and bumper that works best with your light bar. Tighten bolts from hardware kit #57 with 7/16" socket and wrench.



2958 and 2959 brackets



2. Layout frame mounts and OE bolt strips as shown.



3. Install frame mounts with OE bolt strips and OE tow hook bolt. Do not fully tighten.





4. Layout frame weldnut tabs and hardware kit # 58 as shown.



5. Using a hoist or a few friends, attach bumper to frame mounts using weldnut tabs and hardware kit #58. Insert bolts front the center of the bumper. Start all bolts before aligning bumper. Align bumper a minimum of $\frac{1}{4}$ " below headlights. When truck flexes off-road, this distance allows your bumper and body to have clearance. Tighten bolts with $\frac{3}{4}$ " socket. Tighten all hardware.
6. Trim inner fenders to match bumper.



Congratulations! Your bumper installation is now complete.
Thank you for your purchase.