

1999-2006 CHEVY/GMC 1500 STEP SIDE

REAR BUMPER INSTALLATION INSTRUCTIONS



SAFETY

Know safety, no injury. Know injury, no safety. ~Author Unknown

If there are any questions, call 1-855-HHTOUGH

- **READ ALL SAFETY INSTRUCTIONS BEFORE INSTALLATION**
 - FOLLOW ALL INSTRUCTIONS FOR PROPER ASSEMBLY
 - WEAR APPROPRIATE EYE PROTECTION
 - EXERCISE CARE WHEN LIFTING COMPONENTS
 - USE APPROPRIATE TORQUE FOR BOLTS
 - BLUE THREAD LOCKING COMPOUND IS RECOMMENDED ON ALL BOLTS

○ SUGGESTED TORQUE VALUES FOR STEEL GRADE SAE 5 BOLTS

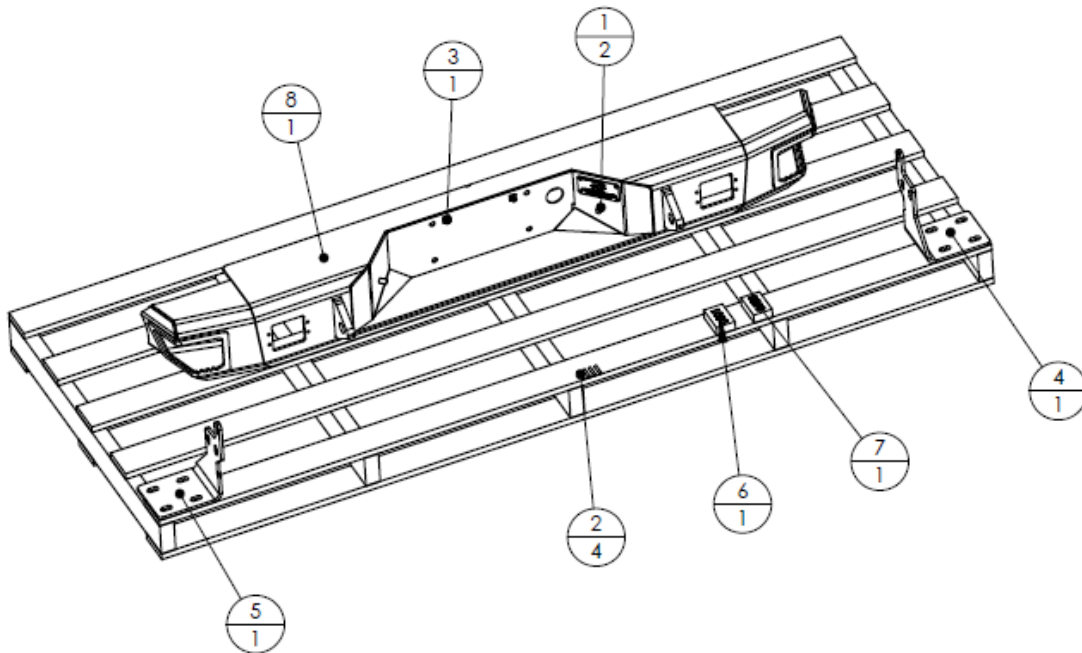
BOLT DIAMETER (INCH)	TREADS PER INCH	TORQUE (POUND-FEET)
1/4	20	7
5/16	18	14
3/8	16	25
7/16	14	40
1/2	13	60
9/16	12	88
5/8	11	120
3/4	10	200
7/8	9	302
1	8	466



1999-2006 CHEVY/GMC 1500 STEP SIDE REAR

I. PARTS LIST

ITEM NO.	QTY	PART NUMBER	DESCRIPTION	
1	2	307-07-0008	12V COOL WHITE LED 120DEG BLK	-
2	4	307-09-0135	BUTT SPLICE 22/16 RED, HEATSINK	-
3	1	443-01-0086	LICENSE PLATE MOUNTING KIT	-
4	1	601-56-4181	L FRAME MOUNT	-
5	1	601-56-4186	R FRAME MOUNT	-
6	1	60K-56-0001	HARDWARE KIT #1	-
7	1	60K-56-0138	HARDWARE KIT #138	-
8	1	60P-56-0686	600-56-0686 POLISHED	-



II. TOOL LIST

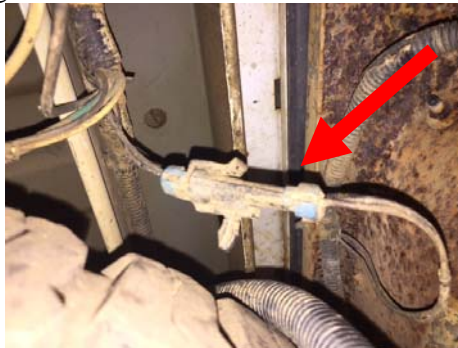
1. A basic tool kit
2. A good friend
3. 15mm socket
4. 15mm wrench
5. 18mm socket
6. 18mm wrench
7. ¾" socket
8. ¾" wrench



1999-2006 CHEVY/GMC 1500 STEP SIDE REAR

III. REMOVAL OF OE BUMPER

1. Unplug the tag light wiring harness.



2. Using an 18mm socket and wrench, remove 2 bolts attaching bumper to OE frame mount (both sides)



3. Using an 18mm socket and wrench, remove 2 bolts attaching bumper brace to truck frame. (both sides)





1999-2006 CHEVY/GMC 1500 STEP SIDE REAR

- Using a 15mm socket, remove 1 bolt at the top of the truck frame.



- Using an 18mm socket or wrench, loosen the 2 bolts attaching the bumper brace to the bumper



- Remove the OE bumper by pulling it away from the back of the truck. Set aside.
- Using an 18mm socket, remove the bottom bolt attaching the OE bumper mounts to the frame and remove the OE mounts. Set mounts aside.



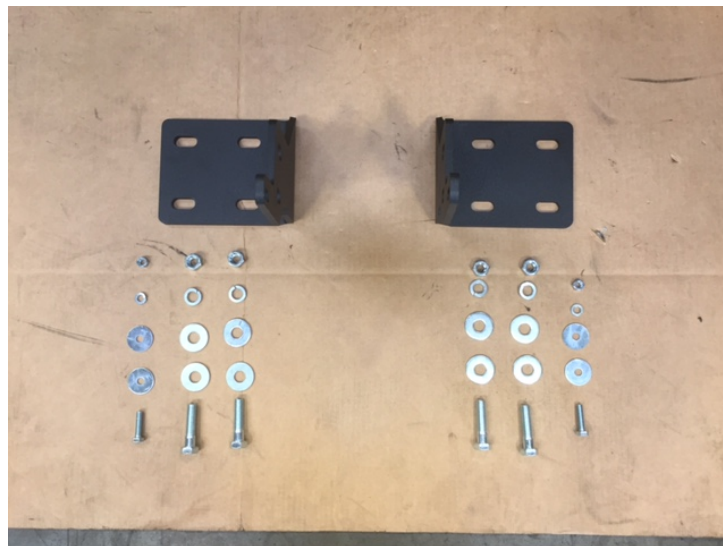
1999-2006 CHEVY/GMC 1500 STEP SIDE REAR

IV. INSTALLATION OF HAMMERHEAD BUMPER

1. Install License plate lights, License plate mounting kit in Hammerhead rear bumper.
2. Install the flush mount lights at this time.
3. Using hardware kit # 138. Install one 1/2"-13 x1.5" Grade 8 bolt, two 1/2" flat washers, one 1/2" lock washer, and one 1/2"-13 nut in the bottom frame hole where you removed the last bolt that attached the OE bumper mount to the frame. (both sides) This hardware is very important, do not skip this step.



4. Layout frame mounts and hardware from Hardware Kit #4 as shown:





1999-2006 CHEVY/GMC 1500 STEP SIDE REAR

- Using hardware kit # 138, install Hammerhead frame mounts (601-56-4181 and 4186), slide them as far away from the truck as possible. Use two 1/2"-13 x 2" bolts, two 1/2" washers, two 1/2" lock washers, and two 1/2"-13 nuts per side in the large holes. In the smaller top hole use one 3/8"-16 x 2" bolt, two 3/8" flat washers, one 3/8" lock washer and one 3/8" nut per side. Do not fully tighten.



- Layout hardware from Hardware Kit #1 as shown:



- Have a friend help you pick up the bumper and install it on the truck. Align the bumper horizontally and vertically. Tighten using 3/4" socket and wrench. Note: Open tailgate slowly to ensure minimum of 3/8" clearance below tailgate and minimum of 3/8" clearance from truck body.
- Plug in wiring harnesses for license plate lights and trailer connection.



Congratulations! Your installation is now complete.
Thank you for your purchase.