

# 2018-20XX Jeep Wrangler JL

## STUBBY FRONT BUMPER INSTALLATION INSTRUCTIONS



## SAFETY

**Know safety, no injury. Know injury, no safety. ~Author Unknown**

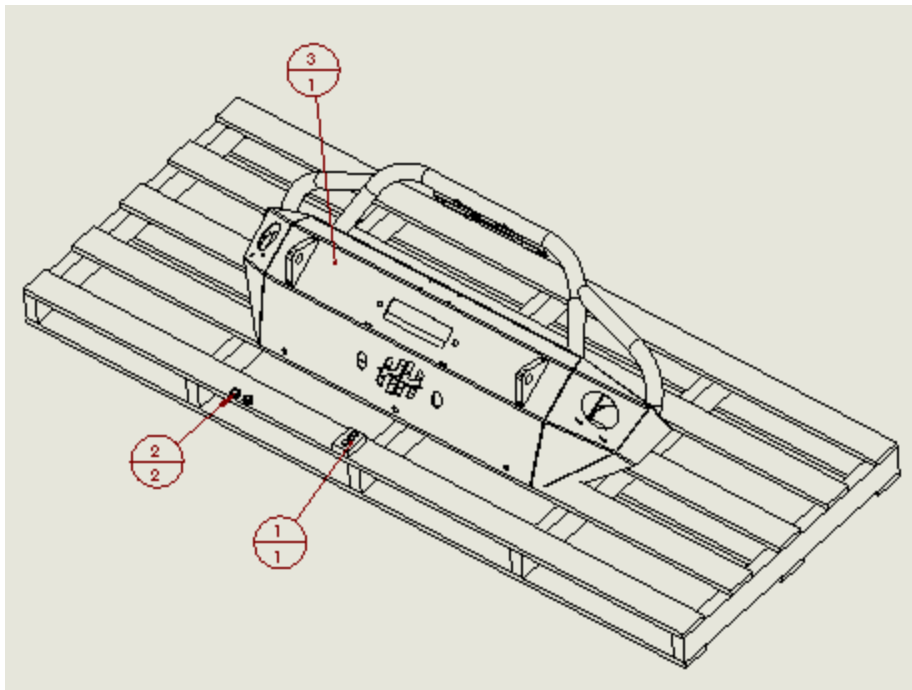
- **READ ALL SAFETY INSTRUCTIONS BEFORE INSTALLATION**
  - FOLLOW ALL INSTRUCTIONS FOR PROPER ASSEMBLY
  - WEAR APPROPRIATE EYE PROTECTION
  - EXERCISE CARE WHEN LIFTING COMPONENTS
  - USE APPROPRIATE TORQUE FOR BOLTS
  - BLUE THREAD LOCKING COMPOUND IS RECOMMENDED ON ALL BOLTS
  - CHECK TORQUE AFTER FIRST 100 MILES



## 2018-20XX Jeep Wrangler JL X-series Front Bumper

### I. Parts List

ITEM NO.	QTY.	PART NUMBER	DESCRIPTION
1	1	60K-56-0017	HARDWARE KIT #17
2	2	307-13-0132	GROMMET, RUB 0.5"x0.25"x0.81"x1.0"
3	1	60P-56-0761	600-56-0761 POLISHED



**REMOVE CONTENTS FROM BOX AND VERIFY ALL PARTS ARE PRESENT.**

If there are any questions, call 1-855-HHTOUGH or email  
[HHORDERS@hammerheadarmor.com](mailto:HHORDERS@hammerheadarmor.com)

### II. TOOL LIST

1. 18mm socket
2. 16mm socket
3. 8mm socket
4. 3/4" socket
5. Torx 20

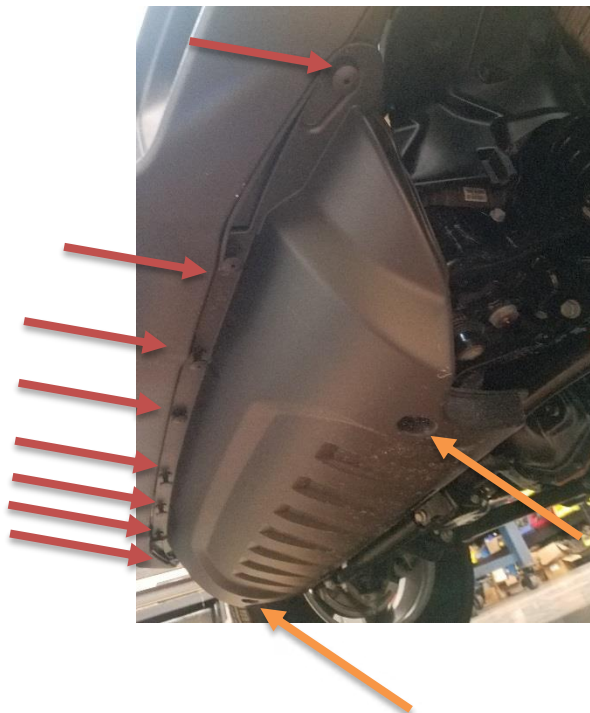


2018-20XX Jeep Wrangler JL X-series Front Bumper

### III. REMOVAL OF OEM BUMPER



1. Remove 8 plastic clips from front of OE “skid plate”. Using the 8mm socket, remove the two bolts from the bottom then remove the skid plate.





## 2018-20XX Jeep Wrangler JL X-series Front Bumper

2. Remove the two bolts from the backing plate with the 15mm socket then remove the plate.



3. There is two nuts on the outside of the frame and the inside of the frame for a total of 8. Remove these with the 18mm socket.





## 2018-20XX Jeep Wrangler JL X-series Front Bumper

4. Unplug the fog lights. The plug is located on the left side next to the body mount



5. Remove the 2 plastic clips on the front top trim piece.



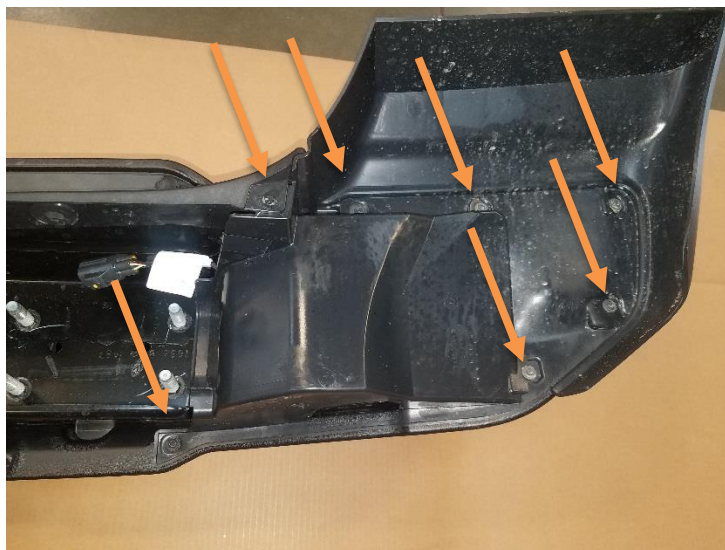


## 2018-20XX Jeep Wrangler JL X-series Front Bumper

6. Remove the OE bumper.



7. Remove the plastic cover on each side of the front bumper using the torx 20. There are 7 screws.





## 2018-20XX Jeep Wrangler JL X-series Front Bumper

8. Depending on what package you have your fog light mounting will be different. If you have the Rubicon there are 2 6mm bolts you will remove with a 10mm socket. If you have the Sahara there are 4 screws you will remove with a Torx 20. If you have the sport you will remove 3 screws with a Torx 20. Unplug and remove the fog lights.



9. Remove all 6 plastic clips from the top trim and remove the top trim.





## 2018-20XX Jeep Wrangler JL X-series Front Bumper

10. Remove the 8 push nuts from the main 8 bolts in the bumper.



11. Remove the 4 bolts holding on the metal plate with a 15mm socket.  
Remove the metal plate and set aside.







## 2018-20XX Jeep Wrangler JL X-series Front Bumper

12. Remove the wiring harness from the front bumper.



### **IV. INSTALLATION OF HAMMERHEAD BUMPER**

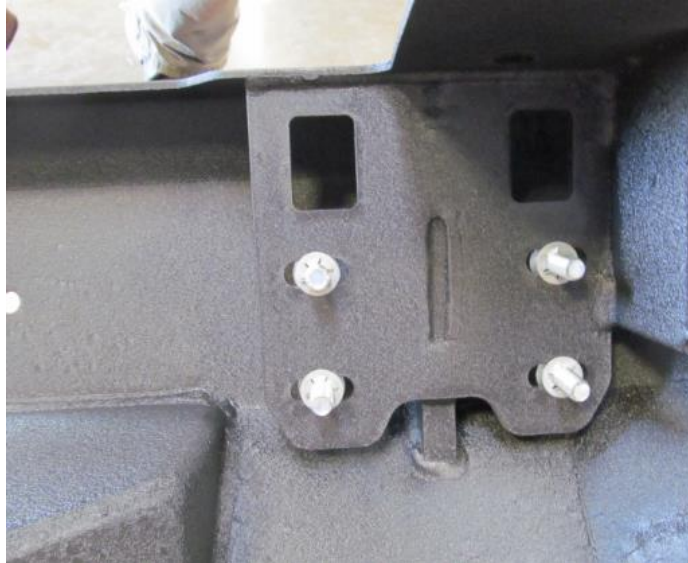
1. Install factory fog lights using factory screws. Do this for both sides. The Sahara is shown.





## 2018-20XX Jeep Wrangler JL X-series Front Bumper

2. Install four  $\frac{1}{2}$ "-13 x 1.5" carriage head bolts in bumper with push nuts. Do this for both sides



2. Place bumper on frame mounts and use the provided  $8 \frac{1}{2}$ " nuts,  $8 \frac{1}{2}$ " washers and  $8 \frac{1}{2}$ " lock washers to secure the bumper to the frame.
3. Align bumper and torque all bolts to spec with a  $\frac{3}{4}$ " socket.
3. Use the OE wiring harness to wire your fog lights.



## 2018-20XX Jeep Wrangler JL X-series Front Bumper



# CONGRATULATIONS!

Your hammerhead stubby front bumper installation is now complete.  
Thank you for your purchase.