

# 2016-20XX, TOYOTA, TACOMA – REAR BUMPER

## INSTALLATION INSTRUCTIONS



## SAFETY

**Know safety, no injury. Know injury, no safety. ~Author Unknown**

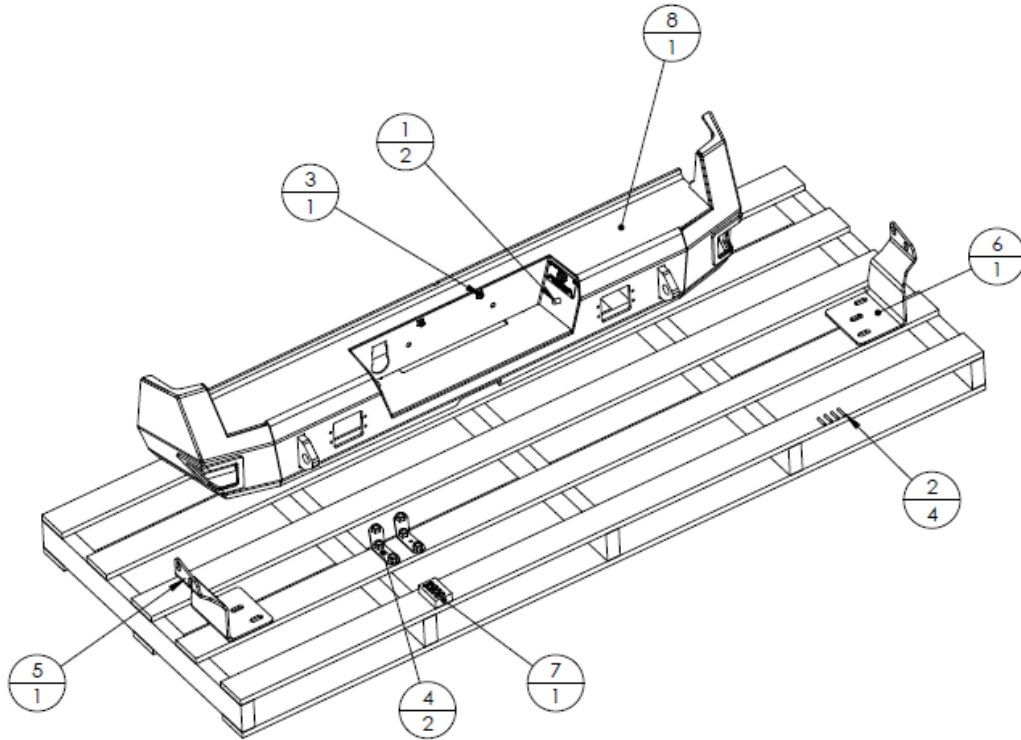
If there are any questions, call 1-855-HHTOUGH

- **READ ALL SAFETY INSTRUCTIONS BEFORE INSTALLATION**
  - FOLLOW ALL INSTRUCTIONS FOR PROPER ASSEMBLY
  - WEAR APPROPRIATE EYE PROTECTION
  - EXERCISE CARE WHEN LIFTING COMPONENTS
  - USE APPROPRIATE TORQUE FOR BOLTS

### SUGGESTED TORQUE VALUES FOR STEEL GRADE SAE 5 BOLTS

BOLT DIAMETER (INCH)	TREADS PER INCH	TORQUE (POUND-FEET)
1/4	20	7
5/16	18	14
3/8	16	25
7/16	14	40
1/2	13	60
9/16	12	88
5/8	11	120
3/4	10	200
7/8	9	302
1	8	466

## I. PARTS LIST



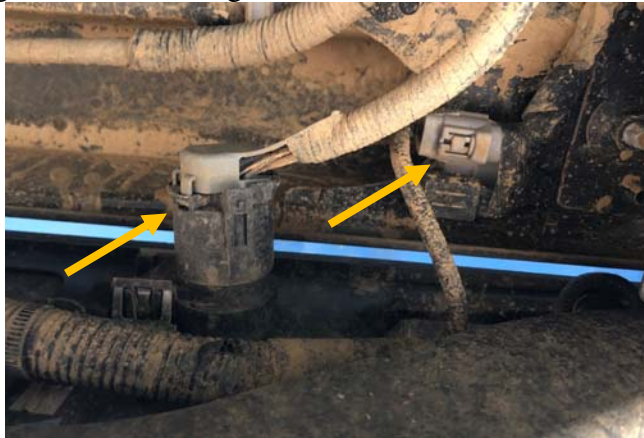
ITEM NO.	QTY.	PART NUMBER	DESCRIPTION
1	2	307-07-0008	12V COOL WHITE LED 120DEG BLK
2	4	307-09-0135	BUTT SPLICE 22/16 RED, HEATSINK
3	1	443-01-0086	LICENSE PLATE MOUNTING KIT
4	2	601-56-2868	WELDNUT TAB 3
5	1	601-56-4289	LEFT FRAME FLANGE
6	1	601-56-4290	RIGHT FRAME FLANGE
7	1	60K-56-0053	HARDWARE KIT #53
8	1	60P-56-0771	600-56-0771 POLISHED

## II. TOOL LIST

1. Basic tool set
2. Blue masking tape
3. Trim tool or flathead screwdriver
4. 12mm socket
5. 3/4" socket
6. 3/4" wrench

### III. REMOVAL OF BUMPER

1. Disconnect battery.
2. Disconnect license plate light harness, towing connector, and sensor harness.



3. Using a 10mm socket, remove two bolts attaching license plate to bumper.
4. Using a trim tool, remove plastic push clip in center of bumper. Remove center first and then the outer portion.



5. Unplug license plate lights.



6. Remove trailer connector. Squeeze metal tabs on side (arrows) and push connector through bumper.



7. Using trim tool, remove two plastic push clips from underside of bumper. They are located under the step in the plastic middle portion.



8. You will now dismantle the bumper piece by piece. Start by pulling up on the outside edge of the plastic bumper top. Your bumper will now look like the pic below.



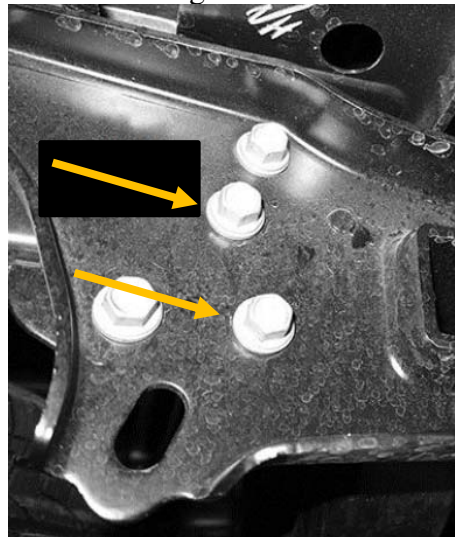
9. Using a 12mm socket, remove 10 bolts that attach the bumper to the receiver hitch. The five right side bolts are shown below. Remove metal insert after bolts are removed.



10. Using 12mm socket, remove four bolts attaching bumper sides to receiver hitch. Remove sides.



11. Using a 17mm socket, remove two bolts attaching receiver hitch to frame. (both sides)





12. Using blue masking tape, mask along the profile of your truck where the bumper will be close to. This will help protect your truck from accidental scratches.

#### IV. INSTALLATION OF HAMMERHEAD BUMPER

1. Install all lights at this time.
2. Install trailer connector in HH bumper.
3. Layout weldnut strips, hardware kit #and Hammerhead frame mounts as shown.



4. Install Hammerhead frame mounts on frame as shown using bolts removed in Step 11 above. Do not fully tighten.
5. Get a few friends, to help you attach bumper to frame mounts using hardware kit #53 and weld nut strips. Start all bolts before aligning bumper. Align bumper a minimum of ¼” below tailgate while it is open. Take your time. This truck has a **large curve** in the middle of the tailgate. Tighten frame mount bolts at this time with ¾” socket or wrench. Remove blue tape.
6. Wire up LED lights to OE wiring harness using red butt connectors.
7. Wire up reverse lights using blue butt connectors.
8. Plug in trailer connector and license plate lights.



(Prototype shown; production model has side steps.)  
Congratulations! Your product installation is now complete.  
Thank you for your purchase.