

2008-2010 FORD F250-550

FRONT BUMPER INSTALLATION INSTRUCTIONS



SAFETY

Know safety, no injury. Know injury, no safety. ~Author Unknown

READ ALL SAFETY INSTRUCTIONS BEFORE INSTALLATION

- FOLLOW ALL INSTRUCTIONS FOR PROPER ASSEMBLY
- WEAR APPROPRIATE EYE PROTECTION
- EXERCISE CARE WHEN LIFTING COMPONENTS
- USE APPROPRIATE TORQUE FOR BOLTS
- BLUE THREAD LOCKING COMPOUND IS RECOMMENDED ON ALL BOLTS

○ SUGGESTED TORQUE VALUES FOR STEEL GRADE SAE 5 BOLTS

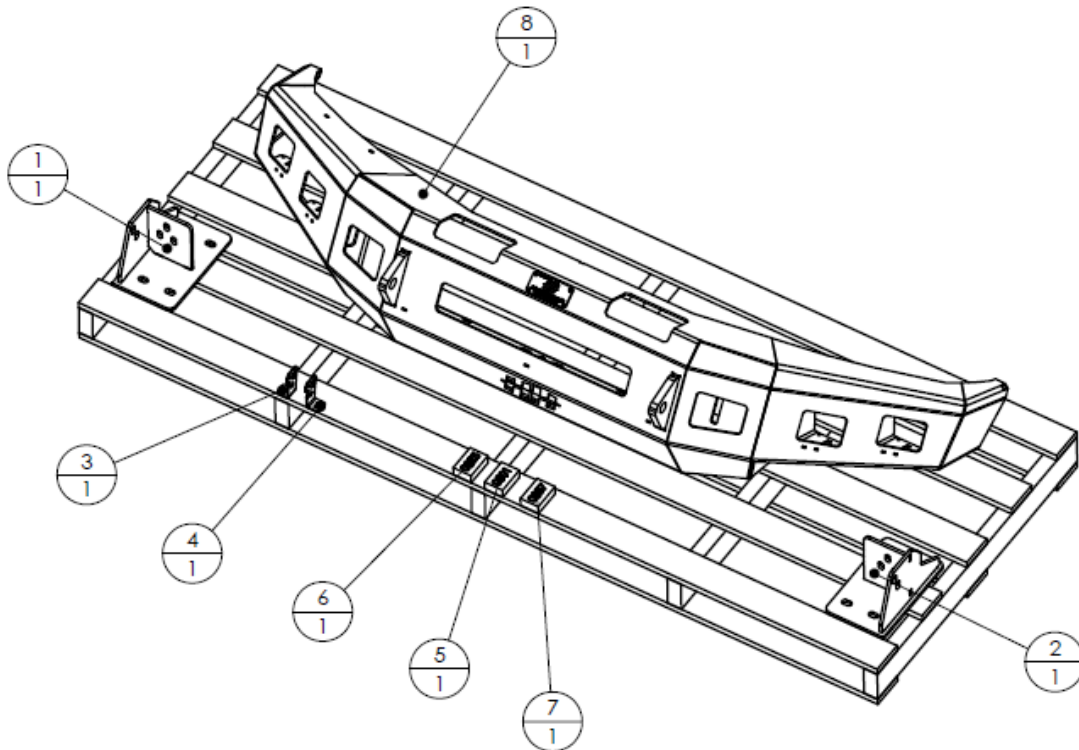
BOLT DIAMETER (INCH)	TREADS PER INCH	TORQUE (POUND-FEET)
1/4	20	7
5/16	18	14
3/8	16	25
7/16	14	40
1/2	13	60
9/16	12	88
5/8	11	120
3/4	10	200
7/8	9	302
1	8	466



2008-2010 Ford F 250-550 Front

PARTS LIST

ITEM NO.	QTY	PART NUMBER	DESCRIPTION	
1	1	601-56-2303	RIGHT FRAME MOUNT WELDMENT	-
2	1	601-56-2304	LEFT FRAME MOUNT WELDMENT	-
3	1	601-56-2958	RIGHT BAR MOUNT	-
4	1	601-56-2959	LEFT BAR MOUNT	-
5	1	60K-56-0001	HARDWARE KIT #1	-
6	1	60K-56-0025	HARDWARE KIT #25	-
7	1	60K-56-0057	HARDWARE KIT #57	-
8	1	60P-56-0789	600-56-0789 POLISHED	-



REMOVE CONTENTS FROM BOX AND VERIFY ALL PARTS ARE PRESENT.

If there are any questions, call 1-855-HHTOUGH or email HHORDERS@hammerheadarmor.com



2008-2010 Ford F 250-550 Front

I. TOOL LIST

1. 3/4" wrench
2. 3/4" socket
3. 5/8" socket
4. 5/8" wrench
5. 18mm socket
6. 16mm socket
7. 8mm socket
8. blue masking tape

II. REMOVAL OF OEM BUMPER

1. Disconnect battery.
2. Using blue masking tape, mask along the profile of your truck above the bumper. This will help protect your truck from accidental scratches.
3. Using 8mm socket, remove OE hood latch if it is mounted to the bumper. It is located on the right side of the bumper. (early trucks in this year range have bumper mounted hood latches) . This will be reused.
4. Disconnect OE fog lights. (if applicable)
5. Use 18mm socket to remove four bolts attaching bumper. Set bumper aside.





2008-2010 Ford F 250-550 Front

- Using 16mm socket remove three bolts attaching OE tow hook and set aside. Access bolt heads from bottom. (both sides)

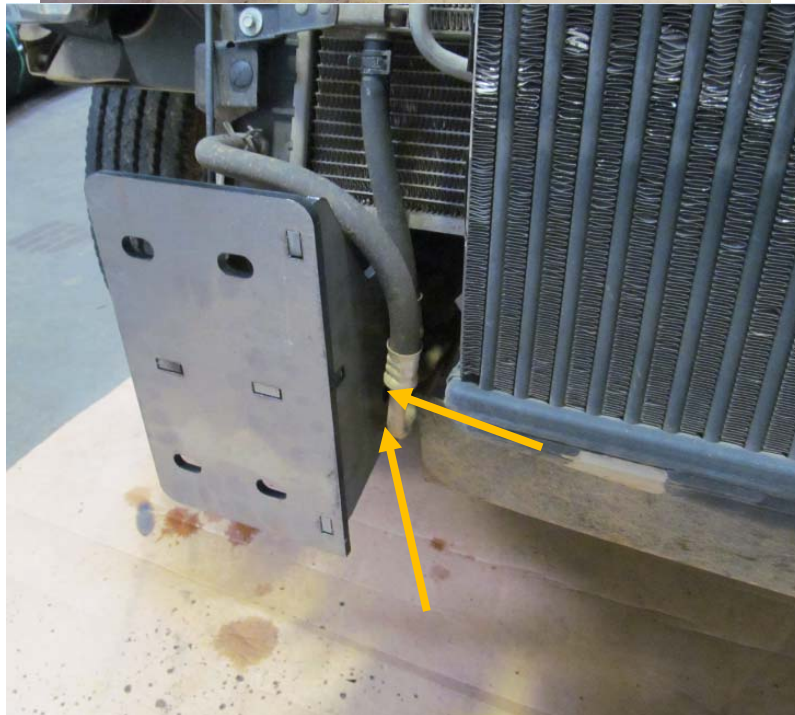
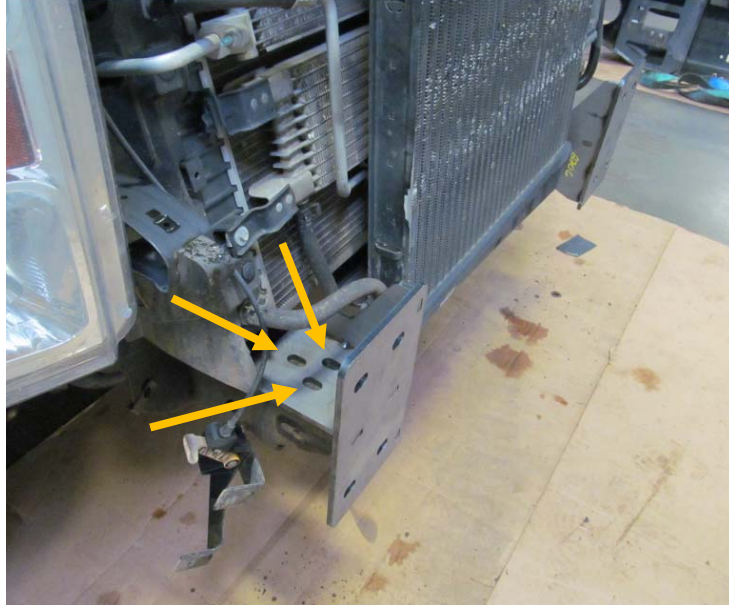




2008-2010 Ford F 250-550 Front

III. INSTALLATION OF HAMMERHEAD BUMPER

1. Install Hammerhead frame mounts. From hardware package #25, use three 7/16"-14x1.75" bolts, six 7/16" flat washers, three lock washers, and three 7/16"-14 nuts for the top holes. For the inside holes, use two 1/2"-13x1.5" bolts, four lock washers, two lock washers, and two 1/2"13 nuts. Use 5/8" socket and wrench for top bolts, and 3/4" socket and wrench on side bolts. Do not fully tighten.





2008-2010 Ford F 250-550 Front

2. Using a hoist or a few friends, attach bumper to frame mounts using hardware kit #1. Start all bolts before aligning bumper. Align bumper a minimum of ¼” below headlights. When truck flexes off-road, this distance allows your bumper and body to have clearance. Tighten all bolts at this time.
3. From hardware package# 25, use two ¼”-20x1.00” bolts, four flat washers, two lock washers, and two ¼”-20 nuts to fasten the OE hood latch to the Hammerhead bumper’s bracket. (if applicable) Use 7/16” socket and wrench to tighten hardware.



Congratulations! Your product installation is now complete.
Thank you for your purchase.