

2016-20XX NISSAN TITAN XD LT REAR BUMPER WITH BSM

REAR BUMPER INSTALLATION INSTRUCTIONS



SAFETY

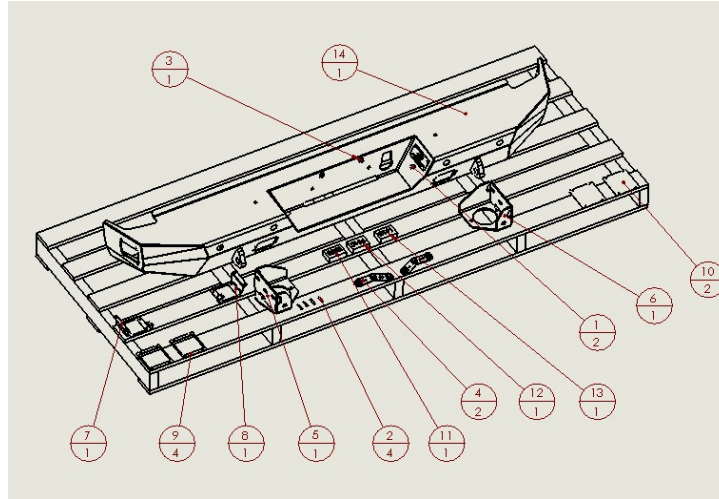
Know Safety, no injury. Know injury, no safety. ~Author Unknown
If there are any questions, call 1-855-HHTOUGH

- **READ ALL SAFETY INSTRUCTIONS BEFORE INSTALLATION**
 - FOLLOW ALL INSTRUCTIONS FOR PROPER ASSEMBLY
 - WEAR APPROPRIATE EYE PROTECTION
 - EXERCISE CARE WHEN LIFTING COMPONENTS
 - USE APPROPRIATE TORQUE FOR BOLTS
 - BLUE THREAD LOCKING COMPOUND IS RECOMMENDED ON ALL BOLTS

SUGGESTED TORQUE VALUES FOR STEEL GRADE SAE 5 BOLTS

BOLT DIAMETER (INCH)	TREADS PER INCH	TORQUE (POUND-FEET)
1/4	20	7
5/16	18	14
3/8	16	25
7/16	14	40
½	13	60
9/16	12	88
5/8	11	120
¾	10	200
7/8	9	302
1	8	466

I. PARTS LIST



ITEM NO.	QTY.	PART NUMBER	DESCRIPTION
1	2	307-07-0008	12V COOL WHITE LED 120DEG BLK
2	4	307-09-0135	BUTT SPLICE 22/16 RED, HEATSINK
3	1	443-01-0086	LICENSE PLATE MOUNTING KIT
4	2	601-56-2868	WELDNUT TAB 3
5	1	601-56-5080	RIGHT MOUNT WELDMENT
6	1	601-56-5081	LEFT MOUNT WELDMENT
7	1	601-56-5189	L BSM MOUNT
8	1	601-56-5190	R BSM MOUNT
9	4	601-56-5191	PAINT TAB
10	2	601-56-5192	BSM COVER 1
11	1	60K-56-0058	HARDWARE KIT #58
12	1	60K-56-0186	HARDWARE KIT #186
13	1	60K-56-0191	HARDWARE KIT #191
14	1	60P-56-0908	600-56-0908 POLISHED

REMOVE CONTENTS FROM BOX AND VERIFY ALL PARTS ARE PRESENT.

If there are any questions, call 1-855 HHTOUGH or email HHORDERS@hammerheadarmor.com

II. TOOL LIST

1. A Good Friend
2. Basic Tool Kit
3. Blue Masking Tape
4. Trim Tool
5. T30 Torx Bit
6. 10mm socket
7. T45 Torx Bit
8. 9/16" Socket
9. 9/16" Wrench
10. 3/4" Socket
11. 3/4" Wrench

III. VEHICLE PREPARATION

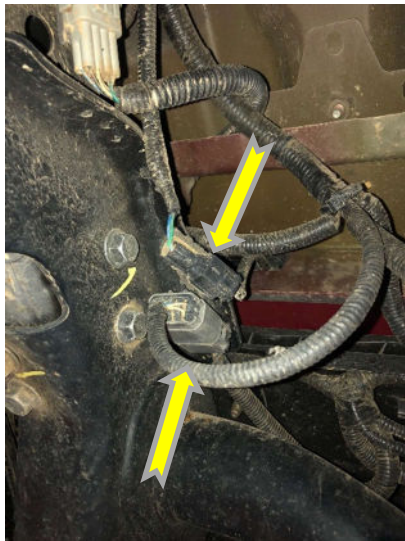
1. Park vehicle on level surface.
2. Engage parking brake and disconnect battery.
3. Using blue masking tape, mask along the profile of your truck above the bumper. This will help protect your truck from any accidental scratches.

IV. REMOVAL OF OE BUMPER

1. Unplug the wiring harness located between the tailgate and the bed.
2. Remove the tailgate with the help of a friend. To do this, detach the tension cables that attach the tailgate to the side of the truck bed. Next, pull up on the left side of the tailgate when it is approximately halfway open to remove it from the pivot point. Then slide the tailgate to the left to release it from the right side pivot point.



3. Once the tailgate is removed, begin disassembling the rear bumper.
4. Unplug the OE tag lights and sensor wiring harness (If applicable).



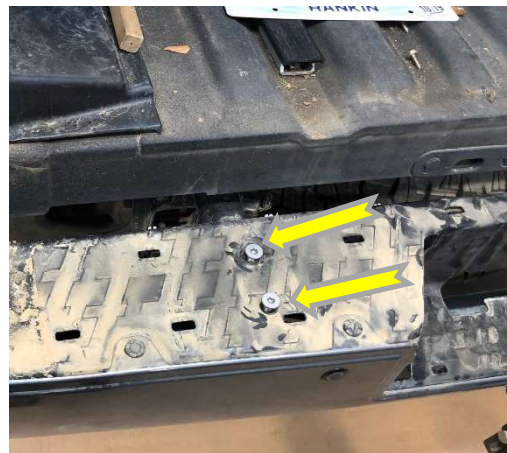
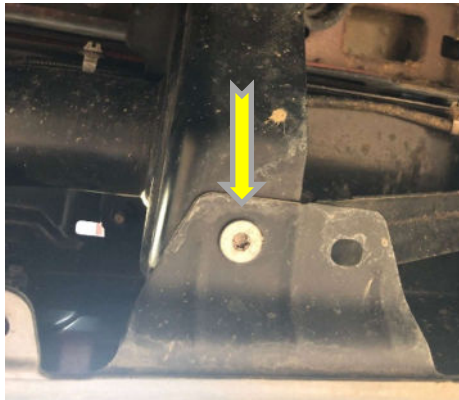
5. Using a trim tool, remove the OE Tag lights and trailer plug from the bumper. The tag lights can be difficult to remove.



6. Using a trim tool, remove the top plastic surface of the OE bumper. This piece is attached by numerous plastic clips, so it is easiest to start at one side of the bumper and work your way across, being careful not to damage the plastic piece. When the plastic piece is removed, your bumper should look like this:



7. Use a T45 Torx Bit to remove the 6 bolts attaching the bumper to the frame. There are 4 on the top, and 2 underneath the bumper.



8. Remove the OE bumper and set it aside.

V. INSTALLATION OF BSM SYSTEM

1. Using a 10mm socket, remove two screws attaching BSM unit cover to OE bumper. Remove cover and set aside. (both sides)



2. Using a T20 torx bit, remove two screws attaching BSM unit to OE bracket. The radar units are delicate, and if dropped they may not work properly when installed. Gently set unit aside. (both sides) There are two models of this module. They will both work with the HH bumper mount.



600-56-0853

3. Install plastic BSM cover and BSM frame using T30 bolts and nut from Hardware kit #191. Install the bottom inside bolt and nut only. Doing this will attach cover and frame to bumper while you install the BSM unit and bracket.



4. Using 10-24 machine screws and nuts from hardware kit # 191, attach BSM unit to frame.
 5. Using T30 bolts and nylocks from hardware kit #191, attach the BSM unit and frame assy to bumper.
- NOTE: Prototype BSM mount shown. Yours will differ slightly.

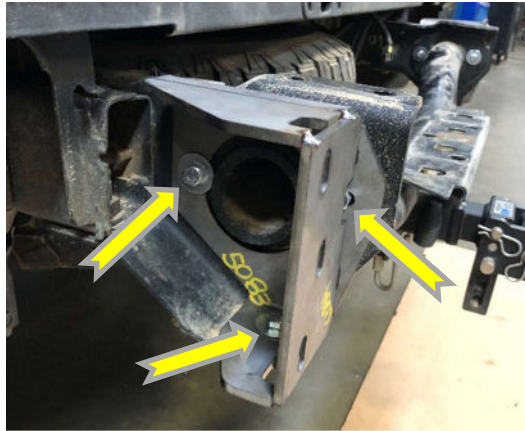


VI. INSTALLATION OF HAMMERHEAD BUMPER

1. Place bumper on a carpeted surface or piece of cardboard. Install all OE and optional accessories at this time.
2. Re-install the tailgate on the truck.
3. Layout the provided frame mounts as shown



4. Using a 9/16" socket and wrench, a 3/4" socket and wrench, and hardware from hardware kit #186, attach the frame mounts to the frame of the truck. Use 1 bolt, 2 flat washers, 1 lock washer, and 1 nut per hole. Do not fully tighten.



5. Using a hoist or a few friends, attach bumper to frame mounts using hardware kit #58 and the two provided weld-nut tabs. Start all bolts before aligning bumper. Open the tailgate slowly to ensure clearance below tailgate and bumper. Tighten all bolts with 3/4" and 9/16" sockets and wrenches. Torque all bolts to spec on page 1.



600-56-0853



**Congratulations! Your Installation is now complete.
Thank You for your purchase!**