

**2020 -20XX CHEVY 2500/3500  
LOW PRO  
FRONT BUMPER INSTALLATION INSTRUCTIONS**



## **SAFETY**

**Know Safety, no injury. Know injury, no safety. ~Author Unknown**  
If there are any questions, call 1-855-HHTOUGH

- **READ ALL SAFETY INSTRUCTIONS BEFORE INSTALLATION**
  - FOLLOW ALL INSTRUCTIONS FOR PROPER ASSEMBLY
  - WEAR APPROPRIATE EYE PROTECTION
  - EXERCISE CARE WHEN LIFTING COMPONENTS
  - USE APPROPRIATE TORQUE FOR BOLTS
  - BLUE THREAD LOCKING COMPOUND IS RECOMMENDED ON ALL BOLTS





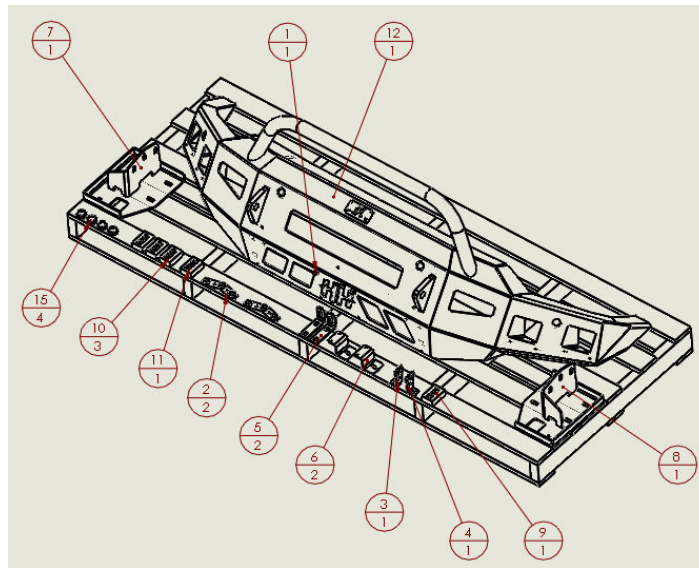
600-56-0968, 0982, 0983

BOLT DIAMETER (INCH)	THREADS PER INCH	TORQUE (POUND - FEET)
1/4	20	7
5/16	18	14
3/8	16	25
7/16	14	40
1/2	13	60
9/16	12	88
5/8	11	120
3/4	10	200
7/8	9	302
1	8	466

BOLT DIAMETER (mm)	THREAD PITCH (mm)	TORQUE (POUND- FEET)
6	1.0	7
8	1.25	16
10	1.5	32
12	1.75	55
14	2.0	88
16	2.0	140
18	2.5	195
20	2.5	275
22	2.5	375
24	3.0	475

**I. PARTS LIST**

ITEM NO.	QTY	PART NUMBER	DESCRIPTION	
1	1	443-01-0086	LICENSE PLATE MOUNTING KIT	-
2	2	601-56-2868	WELDNUT TAB 3	-
3	1	601-56-2958	RIGHT BAR MOUNT	-
4	1	601-56-2959	LEFT BAR MOUNT	-
5	2	601-56-4617	LOWER MOUNT	-
6	2	601-56-4618	SHROUD MOUNT	-
7	1	601-56-5490	RIGHT FRAME MOUNT WELDMENT	-
8	1	601-56-5491	LEFT FRAME MOUNT WELDMENT	-
9	1	60K-56-0001	HARDWARE KIT #1	-
10	3	60K-56-0057	HARDWARE KIT #57	-
11	1	60K-56-0058	HARDWARE KIT #58	-
12	1	60A-56-0968	600-56-0968 ASSEMBLED	-



**REMOVE CONTENTS FROM BOX AND VERIFY ALL PARTS ARE PRESENT.**

**If there are any questions, call 1-855 HHTOUGH or email [HHORDERS@hammerheadarmor.com](mailto:HHORDERS@hammerheadarmor.com)**

**II. TOOL LIST**

1. A Good Friend
2. Basic Tool Kit
3. Blue Masking Tape
4. Trim Tool
5. Plastic body pry tool
6. T15 Torx bit
7. 10mm socket
8. 15mm socket
9. 18mm socket
10. 12" extension
11. 7mm socket
12. 7/16" wrench and socket
13. 3/4" wrench and socket

### III. VEHICLE PREPARATION

1. Park vehicle on level surface.
2. Engage parking brake and disconnect battery.
3. Using blue masking tape, mask along the profile of your truck above the bumper. This will help protect your truck from any accidental scratches.

### IV. REMOVAL OF OE BUMPER

1. Place blue tape along the inside upright portion of the valence under the headlight. Using a plastic body pry tool, pry the plastic piece under the headlight. Pull it out enough to access bolt attaching the grill to the body. Using a 10mm socket (arrow), remove bolt. (both sides) NOTE: It can be difficult to disengage the tabs.



2. Using a T15 Torx, remove two bolts attaching hood lever extension to lever. Remove lever and set aside. NOTE: After removing lever, DO NOT SHUT HOOD!



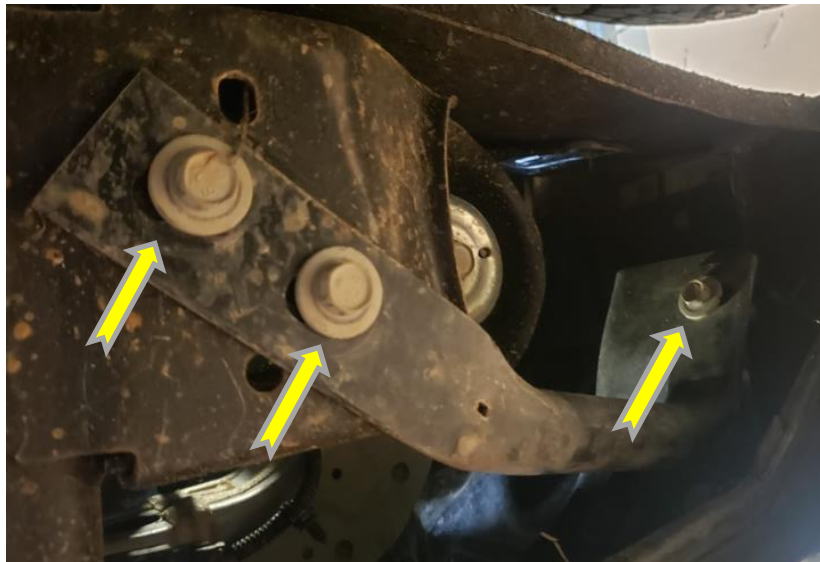
3. Use trim tool to remove nine push pins attaching engine shroud to body. Remove and set aside.



4. Using a 10mm socket, remove four bolts attaching grill top to body. Remove grill by gently pulling away from truck and set aside.



5. Using 15mm socket, remove three bolts attaching bumper side brace to bumper and frame. Remove brace and set aside. (both sides)



6. Using an 18mm socket and a 12" extension, remove four bolts attaching bumper to frame. Remove bumper and set aside.



6. Using 7mm socket, remove four screws attaching louvers to OE bumper mounts.



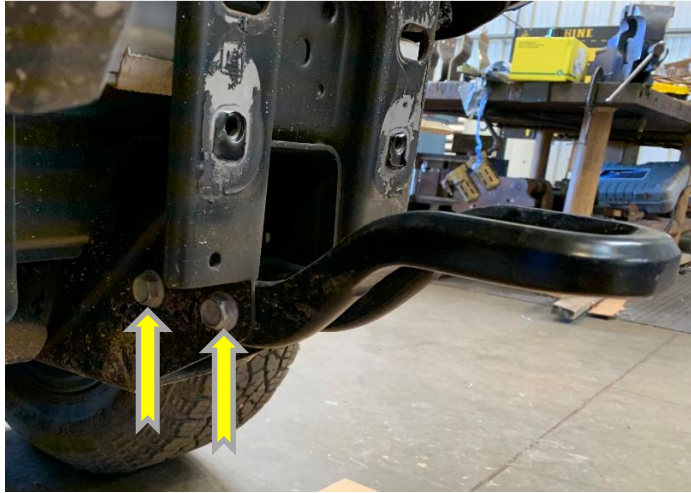
7. Using 15mm socket remove eight bolts attaching OE bumper mounts to frame. Set mounts aside.





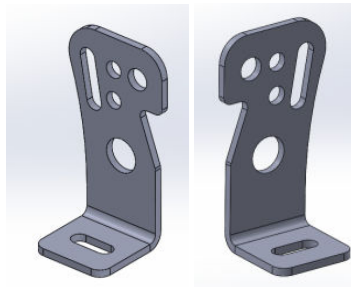
600-56-0968, 0982, 0983

8. Using 18mm socket and wrench, remove bolts attaching tow hooks to frame. Remove tow hooks and set aside.



## V. INSTALLATION OF HAMMERHEAD BUMPER

1. Lay bumper face down on a carpeted surface or piece of cardboard. Install all lights and sensors in Hammerhead bumper at this time. Use included Bar mount brackets (601-56-2958 and 2959) and Hardware kit #57 to attach 20" bar in bumper to mount in bumper. Use hole in bracket and bumper that works best with your light bar. Tighten bolts from hardware kit #57 with 7/16" socket and wrench.



2958-2959 brackets



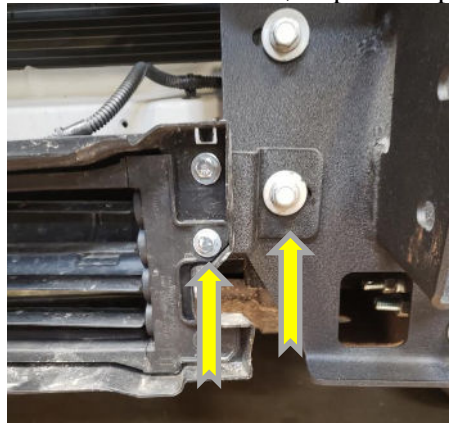


600-56-0968, 0982, 0983

3. Replace grill, shroud, and, hood latch lever extension.
4. Lay out frame mounts, lower mounts, and shroud mounts as shown. Use OE hardware to attach HH bumper mounts to frame flange.



3. Attach shroud mounts to lower inside frame mounts using OE bolts. Using two hardware kit #57s and louver mounts, attach louver to frame mount bolts. If you do not have the louvers, skip this step.



4. Attach lower mounts to frame and HH mounts using six bolts, six nuts, six lockwashers, and 12 flatwashers from hardware kit #1.







600-56-0968, 0982, 0983

5. Using a hoist or a few friends, attach bumper to frame mounts using hardware kit# 58 and weldnut tabs. Start all bolts before aligning bumper. Leave a minimum of 3/8” space between bumper and truck body. When the truck flexes off-road, this distance allows your bumper and truck body to have clearance. Tighten bolts with 3/4” socket. Tighten frame mount bolts at this time.



**Congratulations! Your Installation is now complete.  
Thank You for your purchase!**