

**2020 -20XX CHEVY 2500-5500
X SERIES
FRONT BUMPER INSTALLATION INSTRUCTIONS**



SAFETY

Know Safety, no injury. Know injury, no safety. ~Author Unknown
If there are any questions, call 1-855-HHTOUGH

- **READ ALL SAFETY INSTRUCTIONS BEFORE INSTALLATION**
 - FOLLOW ALL INSTRUCTIONS FOR PROPER ASSEMBLY
 - WEAR APPROPRIATE EYE PROTECTION
 - EXERCISE CARE WHEN LIFTING COMPONENTS
 - USE APPROPRIATE TORQUE FOR BOLTS
 - BLUE THREAD LOCKING COMPOUND IS RECOMMENDED ON ALL BOLTS





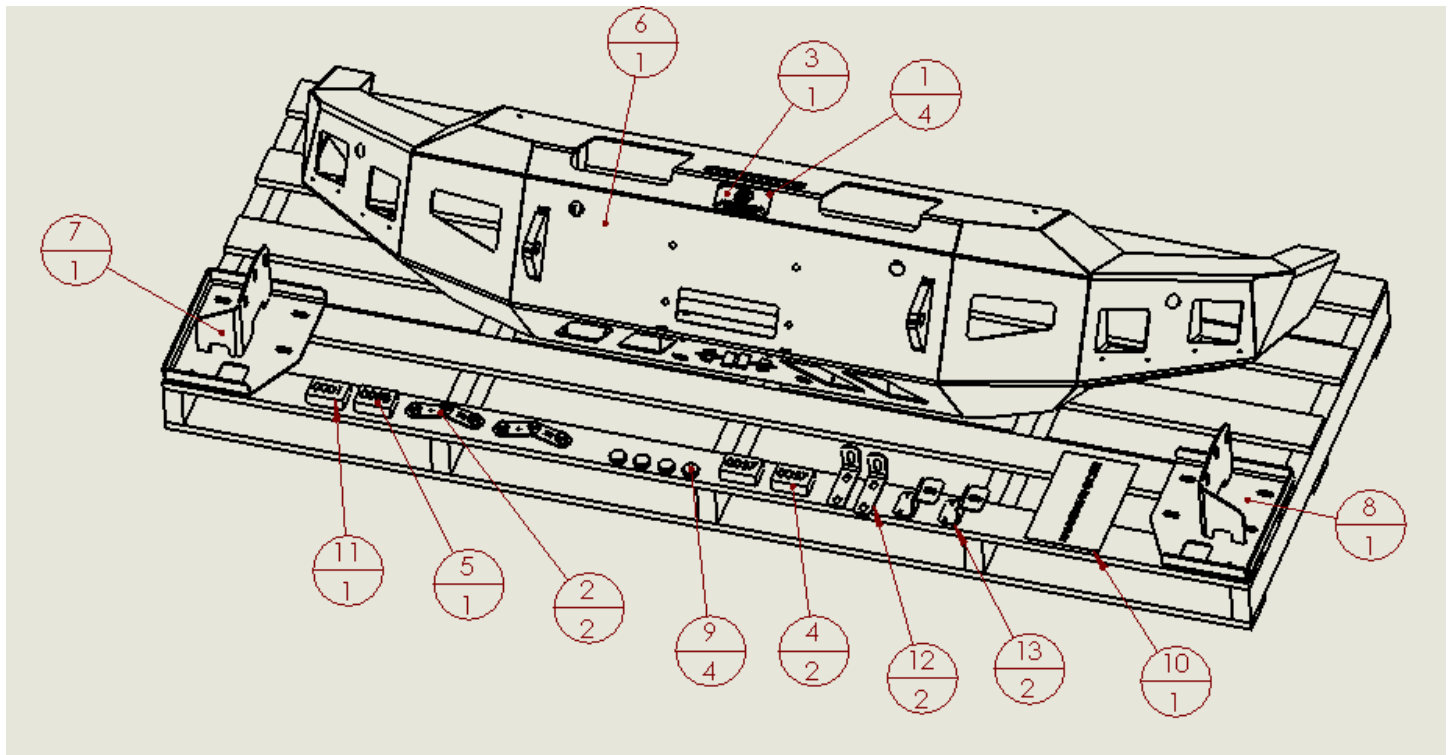
600-56-0974

Suggested Torque Values For Steel Grade 5 Standard Bolts		
BOLT DIAMETER (INCH)	THREADS PER INCH	TORQUE (POUND - FEET)
1/4	20	7
5/16	18	14
3/8	16	25
7/16	14	40
1/2	13	60
9/16	12	88
5/8	11	120
3/4	10	200
7/8	9	302
1	8	466

Suggested Torque Values For Steel Grade 8.8 Metric Bolts		
BOLT DIAMETER (mm)	THREAD PITCH (mm)	TORQUE (POUND- FEET)
6	1.0	7
8	1.25	16
10	1.5	32
12	1.75	55
14	2.0	88
16	2.0	140
18	2.5	195
20	2.5	275
22	2.5	375
24	3.0	475

I. PARTS LIST

ITEM NO.	QTY.	PART NUMBER	DESCRIPTION
1	4	318-12-0005	0.188" X 0.125" AL POP RIVET
2	2	601-56-2868	WELDNUT TAB 3
3	1	601-56-9992	BLACK HAMMERHEAD LABEL W/ HOLES
4	2	60K-56-0057	HARDWARE KIT #57
5	1	60K-56-0058	HARDWARE KIT #58
6	1	60P-56-0974	600-56-0974 POLISHED
7	1	601-56-5490	RIGHT FRAME MOUNT WELDMENT
8	1	601-56-5491	LEFT FRAME MOUNT WELDMENT
9	4	316-01-0005	1.25" PLUG BT-FLUSH LDPE BLACK
10	1	409-01-0125	HAMMERHEAD STICKER
11	1	60K-56-0001	HARDWARE KIT #1
12	2	601-56-4617	LOWER MOUNT
13	2	601-56-4618	SHROUD MOUNT
14	1	443-01-0086	LICENSE PLATE MOUNTING KIT



REMOVE CONTENTS FROM BOX AND VERIFY ALL PARTS ARE PRESENT.

If there are any questions, call 1-855 HHTOUGH or email HHORDERS@hammerheadarmor.com

II. TOOL LIST

1. A Good Friend
2. Basic Tool Kit
3. Blue Masking Tape
4. Trim Tool
5. Plastic body pry tool
6. T15 Torx bit
7. 10mm socket
8. 15mm socket
9. 18mm socket
10. 12" extension
11. 7mm socket
12. 7/16" wrench and socket
13. 3/4" wrench and socket

III. VEHICLE PREPARATION

1. Park vehicle on level surface.
2. Engage parking brake and disconnect battery.
3. Using blue masking tape, mask along the profile of your truck above the bumper. This will help protect your truck from any accidental scratches.

IV. REMOVAL OF OE BUMPER

1. Place blue tape along the inside upright portion of the valence under the headlight. Using a plastic body pry tool, pry the plastic piece under the headlight. Pull it out enough to access bolt attaching the grill to the body. Using a 10mm socket (arrow), remove bolt. (both sides) NOTE: It can be difficult to disengage the tabs.



2. Using a T15 Torx, remove two bolts attaching hood lever extension to lever. Remove lever and set aside. NOTE: After removing lever, DO NOT SHUT HOOD!



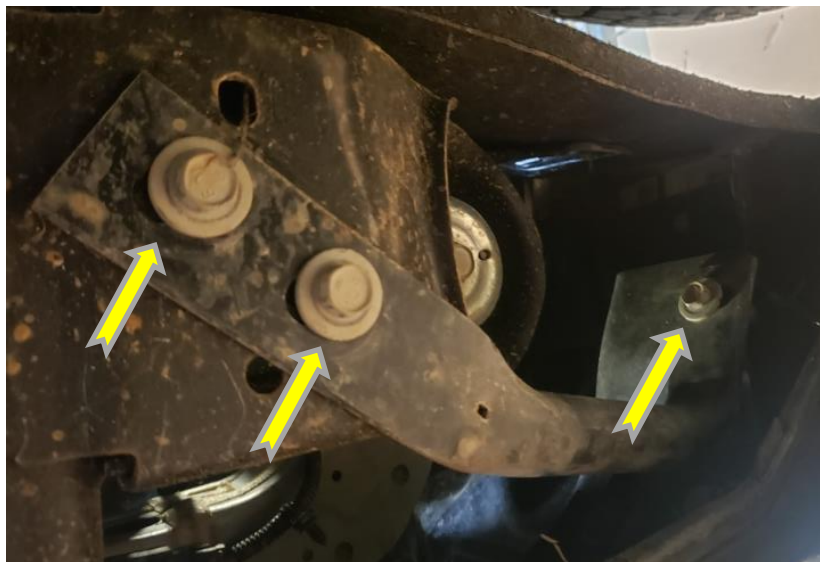
3. Use trim tool to remove nine push pins attaching engine shroud to body. Remove and set aside.



4. Using a 10mm socket, remove four bolts attaching grill top to body. Remove grill by gently pulling away from truck and set aside.



5. Using 15mm socket, remove three bolts attaching bumper side brace to bumper and frame. Remove brace and set aside. (both sides)



600-56-0974

6. Using an 18mm socket and a 12" extension, remove four bolts attaching bumper to frame. Remove bumper and set aside.



7. Using 7mm socket, remove four screws attaching louvers to OE bumper mounts.



8. Using 15mm socket remove eight bolts attaching OE bumper mounts to frame. Set mounts aside.





600-56-0974

9. Using 18mm socket and wrench, remove bolts attaching tow hooks to frame. Remove tow hooks and set aside.



V. INSTALLATION OF HAMMERHEAD BUMPER

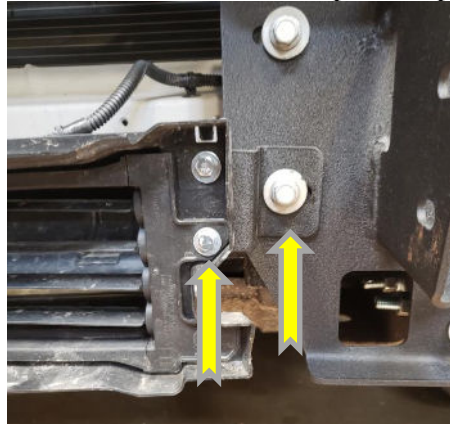
1. Lay bumper face down on a carpeted surface or piece of cardboard. Install all lights and sensors in Hammerhead bumper at this time. Install winch into bumper at this time.
2. Replace grill, shroud, and, hood latch lever extension.
3. Lay out frame mounts, lower mounts, and shroud mounts as shown. Use OE hardware to attach HH bumper mounts to frame flange.





600-56-0974

4. Attach shroud mounts to lower inside frame mounts using OE bolts. Using two hardware kit #57s and louver mounts, attach louver to frame mount bolts. If you do not have the louvers, skip this step.



5. Attach lower mounts to frame and HH mounts using six bolts, six nuts, six lockwashers, and 12 flatwashers from hardware kit #1.



6. Using a hoist or a few friends, attach bumper to frame mounts using hardware kit# 58 and weldnut tabs. Start all bolts before aligning bumper. Leave a minimum of 3/8" space between bumper and truck body. When the truck flexes off-road, this distance allows your bumper and truck body to have clearance. Tighten bolts with 3/4" socket. Tighten frame mount bolts at this time.



600-56-0974



**Congratulations! Your Installation is now complete.
Thank You for your purchase!**