

2015-20XX CHEVY 2500-3500

FRONT BUMPER INSTALLATION INSTRUCTIONS



SAFETY

Know safety, no injury. Know injury, no safety. ~Author Unknown

- **READ ALL SAFETY INSTRUCTIONS BEFORE INSTALLATION**
 - FOLLOW ALL INSTRUCTIONS FOR PROPER ASSEMBLY
 - WEAR APPROPRIATE EYE PROTECTION
 - EXERCISE CARE WHEN LIFTING COMPONENTS
 - USE APPROPRIATE TORQUE FOR BOLTS
 - BLUE THREAD LOCKING COMPOUND IS RECOMMENDED ON ALL BOLTS

California Proposition 65



WARNING

Cancer and Reproductive Harm

www.P65Warnings.ca.gov

DO NOT PAINT OVER THIS LABEL. REPLACE IF DAMAGED OR LOST

DKB150_00



2015-20XX Chevrolet 2500-3500 Front

Suggested Torque Values For Steel Grade 5 Standard Bolts		
BOLT DIAMETER (INCH)	THREADS PER INCH	TORQUE (POUND - FEET)
1/4	20	7
5/16	18	14
3/8	16	25
7/16	14	40
1/2	13	60
9/16	12	88
5/8	11	120
3/4	10	200
7/8	9	302
1	8	466

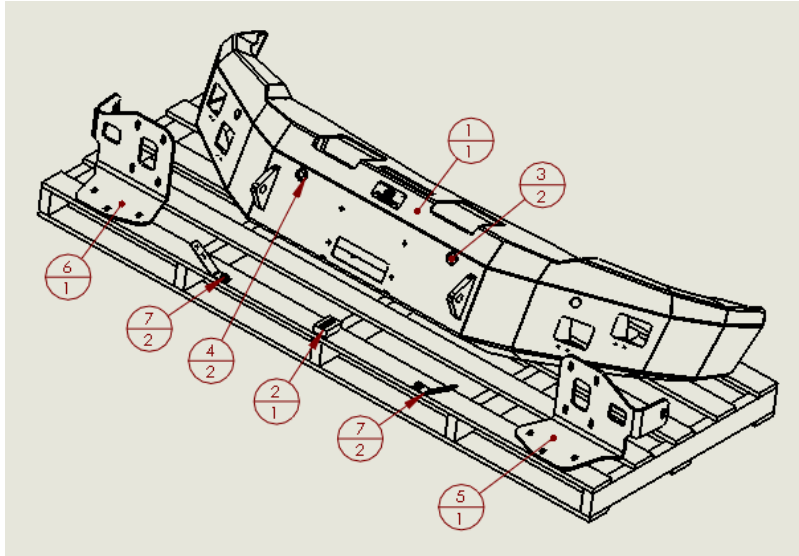
Suggested Torque Values For Steel Grade 8.8 Metric Bolts		
BOLT DIAMETER (mm)	THREAD PITCH (mm)	TORQUE (POUND-FEET)
6	1.0	7
8	1.25	16
10	1.5	32
12	1.75	55
14	2.0	88
16	2.0	140
18	2.5	195
20	2.5	275
22	2.5	375
24	3.0	475

I. PARTS LIST

ITEM NO.	QTY.	PART NUMBER	DESCRIPTION
1	1	60P-56-0276	ASSEMBLED 600-56-0276
2	1	60K-56-0001	HARDWARE KIT #1
3	2	601-56-2316	OUTSIDE PLUG
4	2	601-56-2401	2014 GM SENSOR SOLUTION
5	1	601-56-2487	RIGHT FRAME MOUNT
6	1	601-56-2488	LEFT FRAME MOUNT
7	2	601-56-2498	WELD NUT TAB 1
8	2	316-01-0005	1.25" PLUG BT-FLUSH LDPE BLACK



2015-20XX Chevrolet 2500-3500 Front

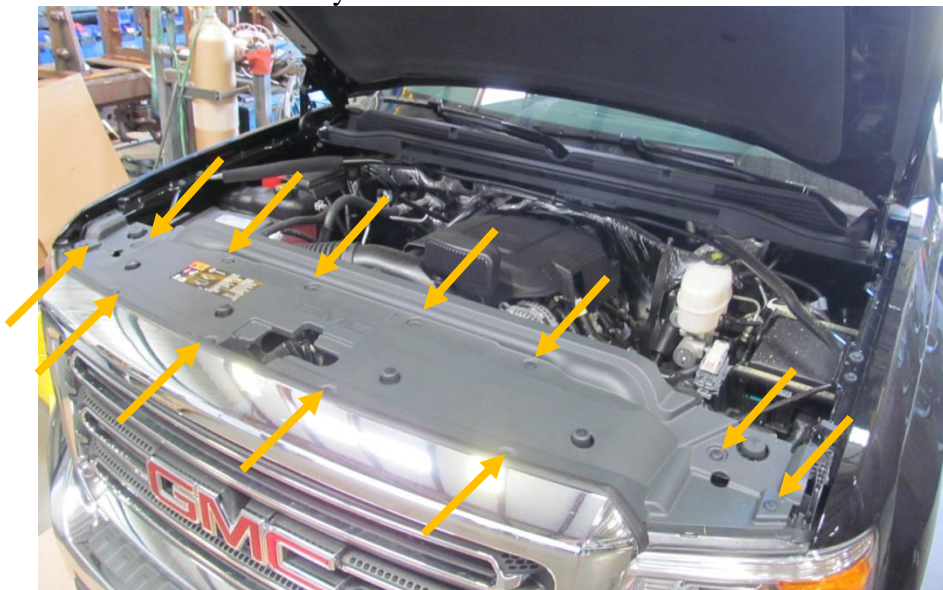


II. TOOL LIST

1. 3/4" wrench
2. 3/4" socket
3. Flathead screwdriver
4. 10mm socket
5. 15mm socket
6. 18mm socket
7. 18mm wrench

III. REMOVAL OF OEM BUMPER

1. Using flathead screwdriver, remove 12 plastic retainers in OEM plastic shroud. Gently set aside. It will be reused.





2015-20XX Chevrolet 2500-3500 Front

2. Using 10mm socket, remove four screws in top of grill.



3. Gently pull out on grill to remove. Start at top by pulling up and then out. Then pull out on bottom. Gently set aside. It will be reused.





2015-20XX Chevrolet 2500-3500 Front

- Using 15mm socket, remove 3 bolts from OEM bumper side brace. Set aside. (both sides)



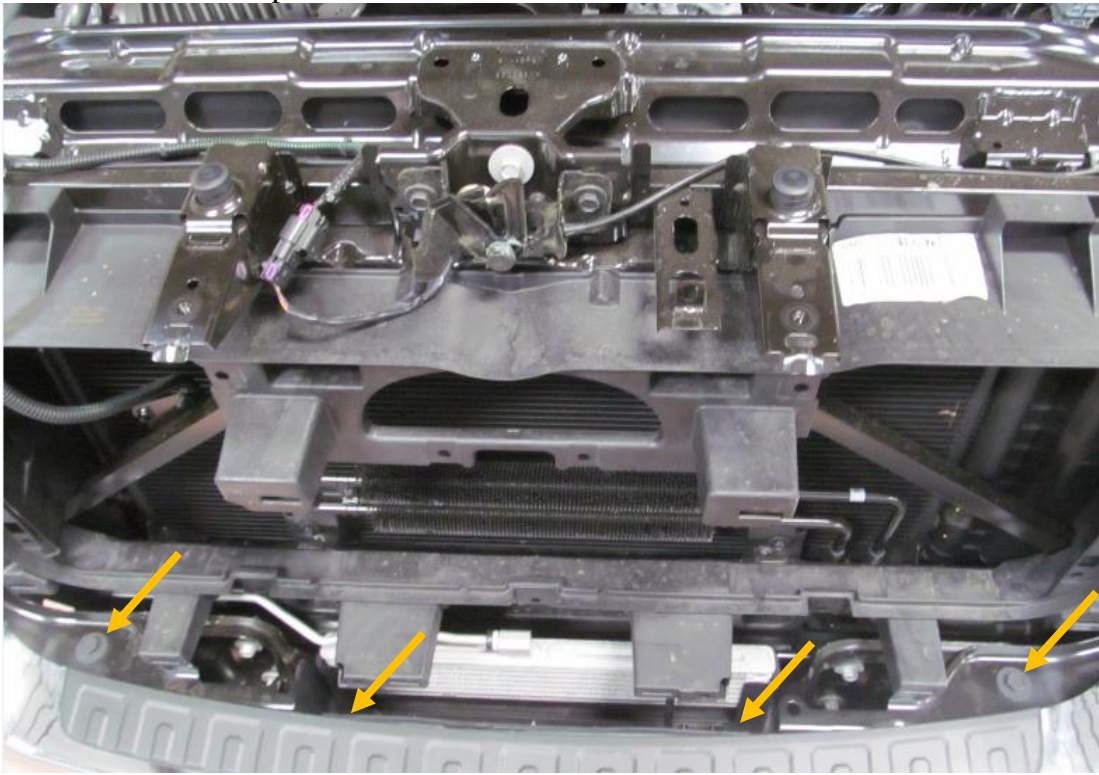
- Unplug OEM sensor/fog light harness. (if applicable)



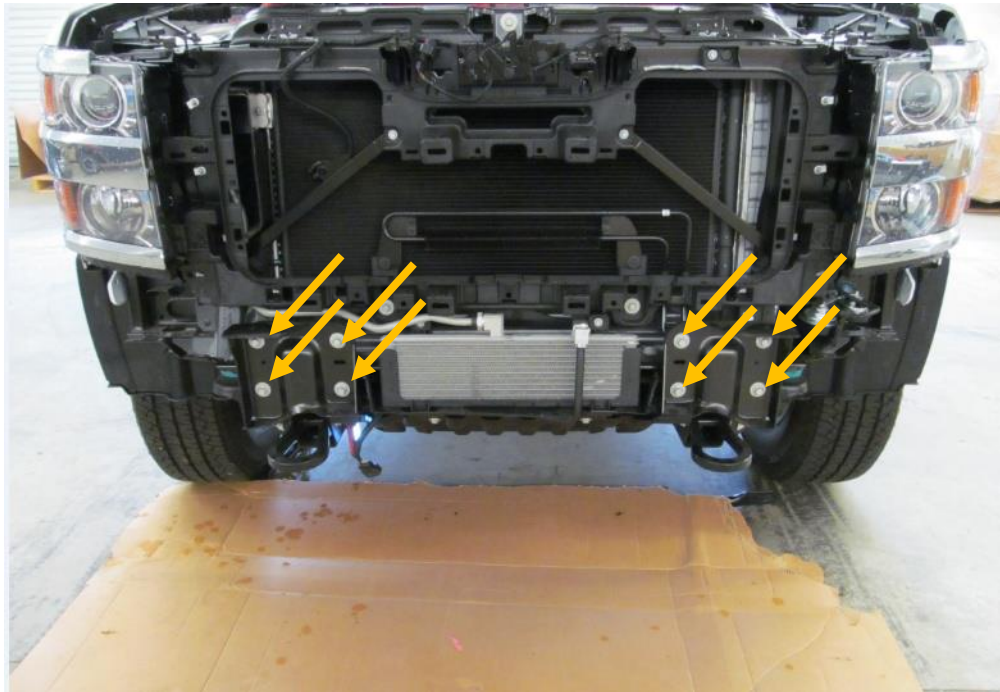


2015-20XX Chevrolet 2500-3500 Front

6. Using 18mm socket, remove four bolts holding on OEM bumper. Set bumper aside.



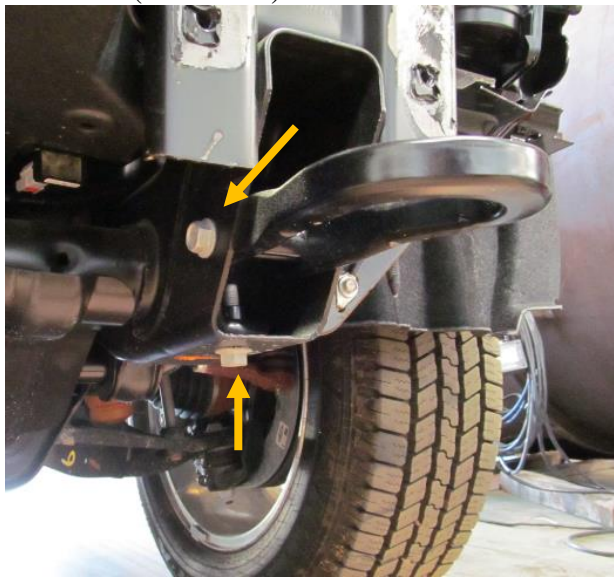
7. Using 15mm socket, remove eight bolts holding on OEM bumper brackets. Set brackets aside.



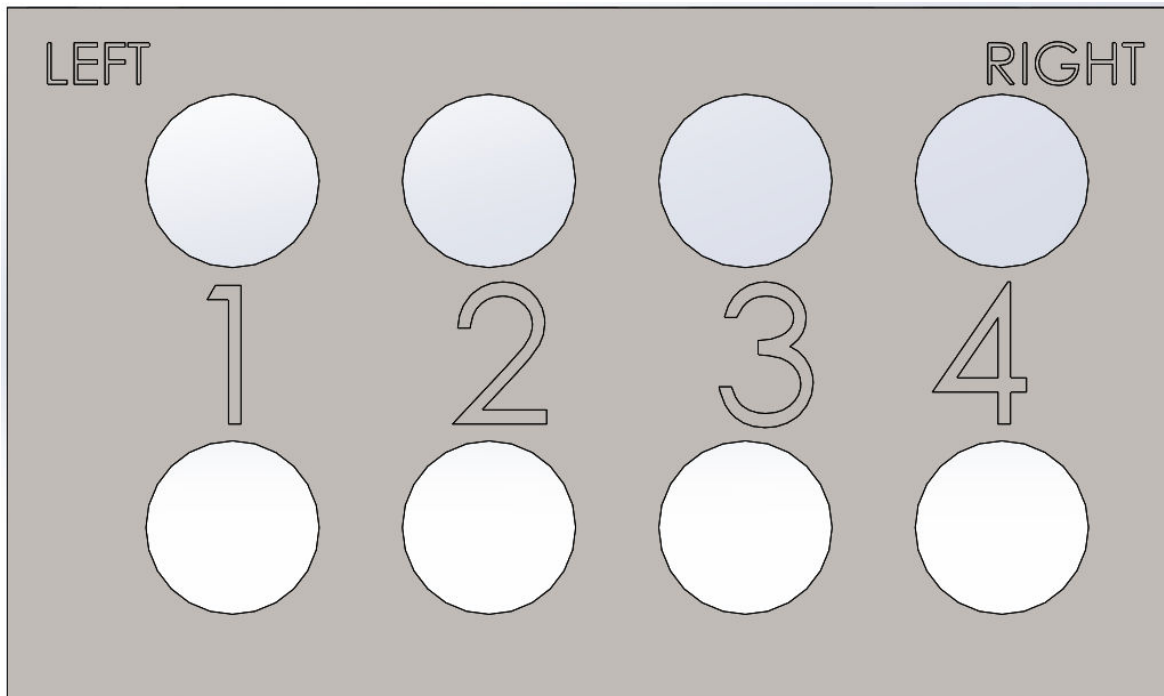


2015-20XX Chevrolet 2500-3500 Front

- Using 18mm socket and wrench, remove OEM tow hook. Set tow hook aside. (both sides)



- Remove OEM wiring harness, sensors and outer grommets from OEM bumper. (if applicable) When removing sensors and grommets, keep them in the same order and orientation left to right that they came out of the truck in. This is very important. Use pic below to keep track of sensors and grommets.





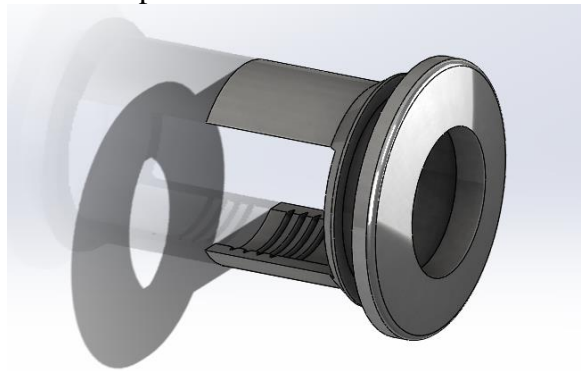
2015-20XX Chevrolet 2500-3500 Front

IV. INSTALLATION OF HAMMERHEAD BUMPER

1. If your truck is equipped with sensors, install OEM sensor grommets in two outer holes of Hammerhead bumper. Make sure they are oriented in the same way they were in the OEM bumper.



2. Install Hammerhead sensor grommets in two center holes of Hammerhead bumper. Then install OEM sensors and wiring harness. Make sure the sensors are oriented in the same way they were in the OEM bumper.



3. If your truck is not equipped with sensors, install provided plugs in



sensor holes.

4. Reinstall OEM grill and plastic shroud using OEM hardware.
5. Lay out frame mounts as shown.



2015-20XX Chevrolet 2500-3500 Front



- Using OEM hardware, install Hammerhead Frame mounts on frame as shown. Do not fully tighten.
- Using Hardware Kit#1 install bolts, flat washers, lock washers, and weldnut tab (601-56-2498) in bottom of frame mount through bottom OEM tow hook bolt hole. (green arrows) Weldnut tab can be inserted through front of Hammerhead frame mount. (orange arrows) Do not fully tighten.

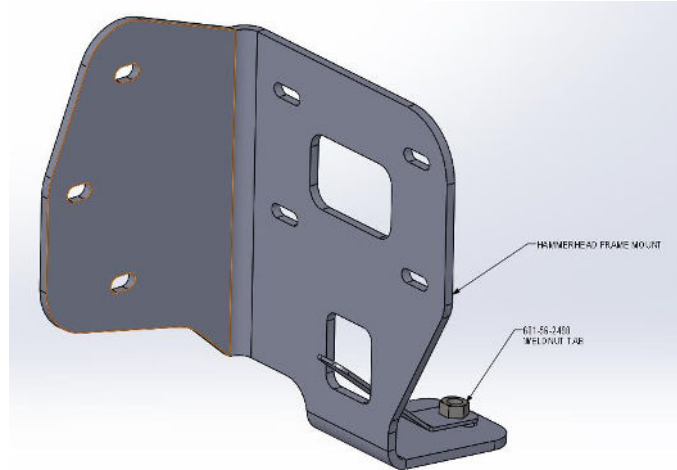
You will need:

Qty	Description
2	1/2"-13 x 2" hex head bolt
2	1/2" flat washer
2	1/2" lock washer
2	601-56-2498 weldnut tab





2015-20XX Chevrolet 2500-3500 Front



8. Install Hammerhead bumper on frame mounts using bolts, flat washers, lock washers, and nuts from Hardware Kit#1 and $\frac{3}{4}$ " wrench and socket.

You will need:

Qty	Description
6	$\frac{1}{2}$ "-13 x 2" hex head bolt
12	1/2" flat washer
6	1/2" lock washer
6	1/2"-13 hex head nut

9. Align bumper and fully tighten all hardware.



CONGRATULATIONS!!