

2010-2018 DODGE 2500-5500

FRONT BUMPER INSTALLATION INSTRUCTIONS



SAFETY

Know safety, no injury. Know injury, no safety. ~Author Unknown

- **READ ALL SAFETY INSTRUCTIONS BEFORE INSTALLATION**
 - FOLLOW ALL INSTRUCTIONS FOR PROPER ASSEMBLY
 - WEAR APPROPRIATE EYE PROTECTION
 - EXERCISE CARE WHEN LIFTING COMPONENTS
 - USE APPROPRIATE TORQUE FOR BOLTS
 - BLUE THREAD LOCKING COMPOUND IS RECOMMENDED ON ALL BOLTS

California Proposition 65



WARNING

Cancer and Reproductive Harm

www.P65Warnings.ca.gov



2010-2018 DODGE 2500-5500 FRONT BUMPER

Suggested Torque Values For Steel Grade 5 Standard Bolts		
BOLT DIAMETER (INCH)	THREADS PER INCH	TORQUE (POUND - FEET)
1/4	20	7
5/16	18	14
3/8	16	25
7/16	14	40
1/2	13	60
9/16	12	88
5/8	11	120
3/4	10	200
7/8	9	302
1	8	466

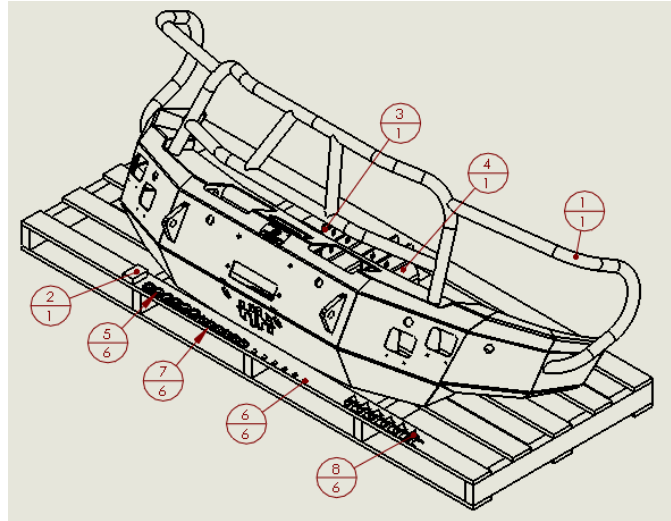
Suggested Torque Values For Steel Grade 8.8 Metric Bolts		
BOLT DIAMETER (mm)	THREAD PITCH (mm)	TORQUE (POUND-FEET)
6	1.0	7
8	1.25	16
10	1.5	32
12	1.75	55
14	2.0	88
16	2.0	140
18	2.5	195
20	2.5	275
22	2.5	375
24	3.0	475

PARTS LIST:

ITEM NO.	QTY.	PART NUMBER	DESCRIPTION
1	1	60A-56-0433	600-56-0433 A SSEMBLED
2	1	60K-56-0001	HARDWARE KIT #1
3	1	60P-56-1032	PASS FRAME MOUNT WELDMENT
4	1	60P-56-1035	DRIVER FRAME MOUNT WELDMENT
5	6	307-13-0231	PARK ASSIST SENSOR GROMMET
6	6	443-10-0927	PUSH IN BUMPER 5/16" HOLE SIZE
7	6	601-56-2316	OUTSIDE PLUG
8	6	601-56-2711	SENSOR CLIP



2010-2018 DODGE 2500-5500 FRONT BUMPER



I. TOOL LIST

1. Basic tool kit
2. 18mm socket
3. 10mm socket
4. 13mm wrench
5. 24mm socket
6. 3/4" socket
7. 3/4" wrench

II. REMOVAL OF OEM BUMPER

1. (Diesel only) open hood and remove "Heavy Duty" plastic cover by taking out four Christmas tree inserts.





2010-2018 DODGE 2500-5500 FRONT BUMPER

2. (Diesel only) Using a 10mm socket remove the grill by taking out four screws on top of grill. Pull gently on bottom of grill after screws are removed to release plastic tabs.



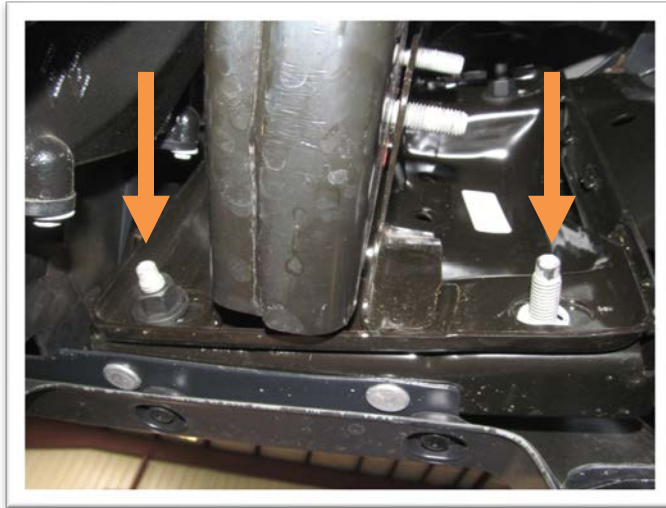
3. Using 18mm socket remove two nuts from the top of the bumper bracket.(Both Sides)



4. Using 18mm socket remove two nuts holding on bottom of bumper bracket to bumper. (Both sides)



2010-2018 DODGE 2500-5500 FRONT BUMPER



5. Carefully Remove OEM bumper and set aside.



6. Using a 24mm socket remove two bolts.(Both sides)





2010-2018 DODGE 2500-5500 FRONT BUMPER

7. (On 4500's and 5500's) remove tow hooks from both sides and set aside.



8. Using an 18mm socket, remove two nuts on bolt strip. (Both Sides)



9. Using 13mm socket, **LOOSEN** bolts from intercooler bracket. **DO NOT REMOVE.** (Both sides)



10. Remove right side bolts from step 9.
11. Pull intercooler down on passenger side to allow clearance for the bolt strip to be removed.



2010-2018 DODGE 2500-5500 FRONT BUMPER



12. Remove bolt strip on Passenger side. (Bumper bracket will fall off once bolt strip is removed. Be mindful of any sharp edges on bracket)



13. Push intercooler back up and install bolts from step 10. (Do not tighten)
14. Repeat steps 10-13 for driver side.
15. Using a 13mm socket tighten all bolts from intercooler brackets.

III. INSTALLATION OF HAMMERHEAD BUMPER

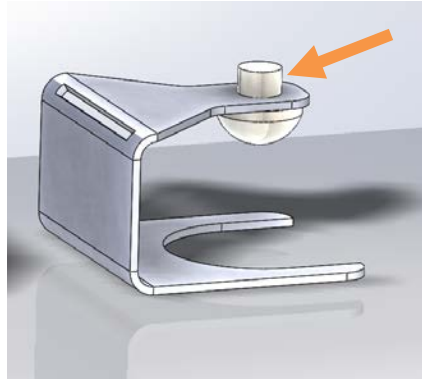
1. Install fog lights and winch in bumper.
2. For bumpers without sensors, install outside plugs. (601-56-2316) (qty-6)



3. For bumpers with sensors, install rubber grommets (307-13-0231) in bumper. Place a drop of dish washing soap on each sensor to lubricate it. Install OEM sensors in bumper. The sensor's plugs will face inward.
NOTE: DO NOT TWIST SENSOR WHILE INSTALLING. THIS WILL DAMAGE IT.
4. Install rubber bumper (443-10-0927) (orange arrow) in sensor clip. (601-56-2711) (qty-6)



2010-2018 DODGE 2500-5500 FRONT BUMPER



5. Slide sensor clip over grommet and ensure rubber bumper touches the back of the sensor. This clip will retain the sensor in the grommet.



6. Install OEM sensor wiring harness and plug sensors in.
7. Position frame mounts as shown and install the two 18mm nuts on the bolt strips.



2010-2018 DODGE 2500-5500 FRONT BUMPER



8. Attach Hammerhead bumper to frame mounts using eight ½" -13 bolts, sixteen ½" flat washers, eight ½" lock washers, and eight ½" nuts from Hardware kit 1.

Align bumper a minimum of ¼" below headlights. When truck flexes off-road, this distance allows your bumper and body to have clearance. Fully tighten all bolts after bumper is aligned.



Congratulations! Your bumper installation is now complete.
Thank you for your purchase.