

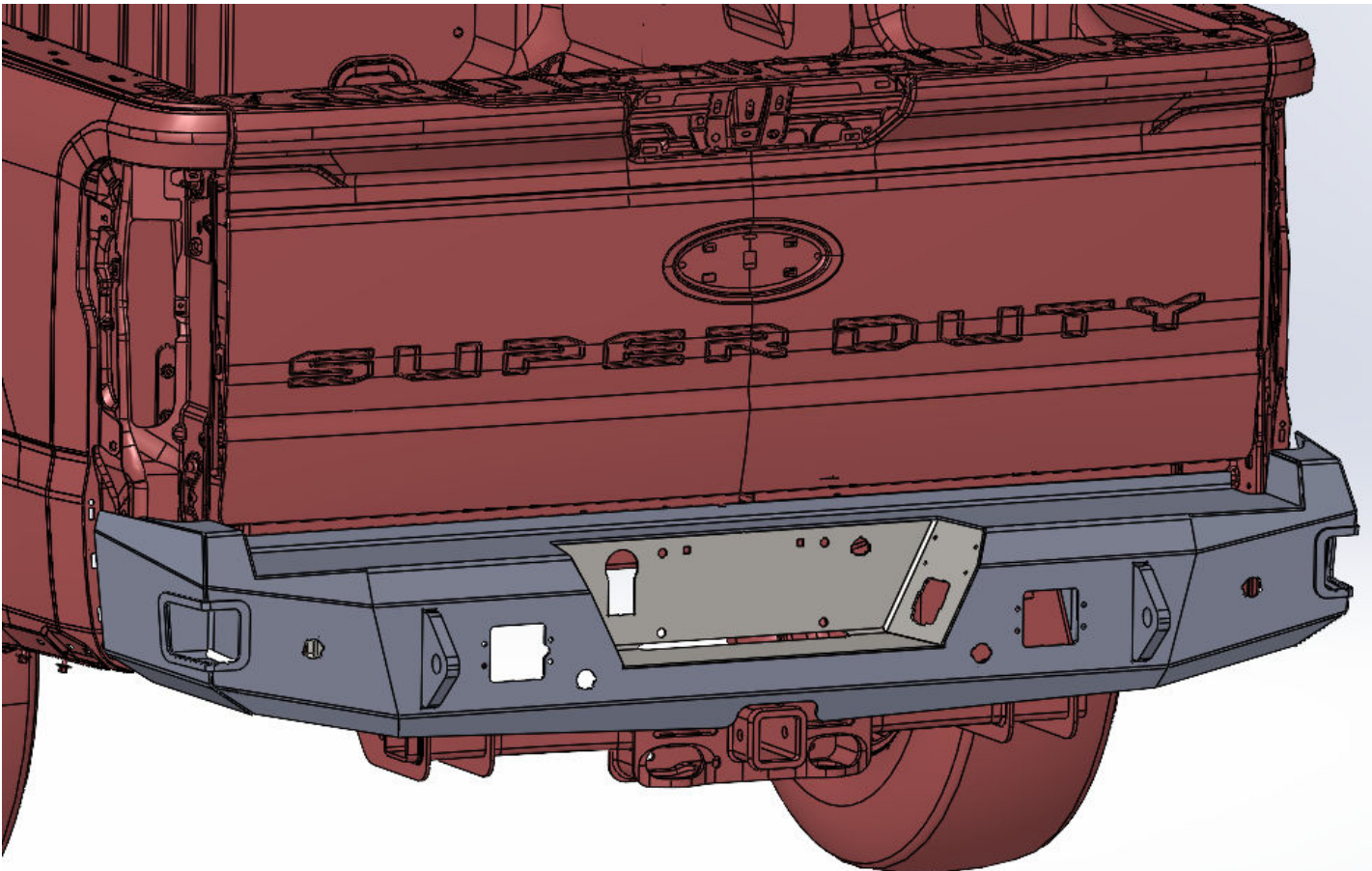


 HammerheadArmor  Hammerheadarmor  HammerheadOff-RoadArmor

2023-20XX FORD F150

REAR BUMPER

INSTALLATION INSTRUCTIONS



SAFETY

Know safety, no injury. Know injury, no safety. ~Author Unknown

If there are any questions, call 1-855-HHTOUGH

READ ALL SAFETY INSTRUCTIONS BEFORE INSTALLATION

- FOLLOW ALL INSTRUCTIONS FOR PROPER ASSEMBLY
- WEAR APPROPRIATE EYE PROTECTION
- EXERCISE CARE WHEN LIFTING COMPONENTS
- USE APPROPRIATE TORQUE FOR BOLTS
- RE-TORQUE HARDWARE AT EVERY OIL CHANGE.

Suggested Torque Values For Steel Grade 5 Standard Bolts		
BOLT DIAMETER (INCH)	THREADS PER INCH	TORQUE (POUND - FEET)
1/4	20	7
5/16	18	14
3/8	16	25
7/16	14	40
1/2	13	60
9/16	12	88
5/8	11	120
3/4	10	200
7/8	9	302
1	8	466

Suggested Torque Values For Steel Grade 8.8 Metric Bolts		
BOLT DIAMETER (mm)	THREAD PITCH (mm)	TORQUE (POUND-FEET)
6	1.0	7
8	1.25	16
10	1.5	32
12	1.75	55
14	2.0	88
16	2.0	140
18	2.5	195
20	2.5	275
22	2.5	375
24	3.0	475

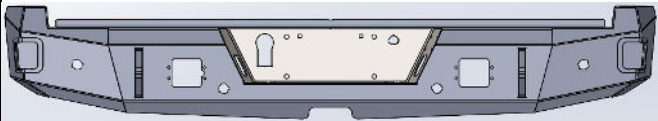
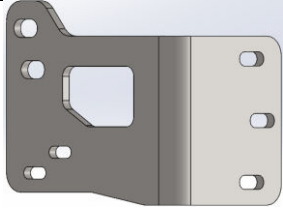
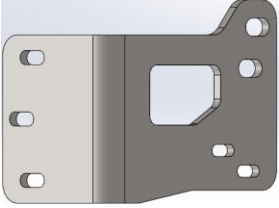
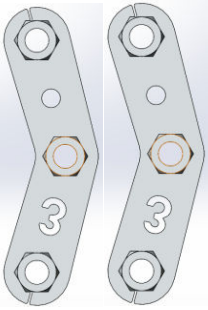
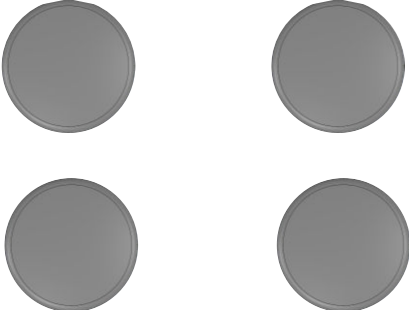


**WARNING: Cancer
and Reproductive Harm**

www.P65Warnings.ca.gov

I. PARTS LIST

Note: Bumper configuration may differ.

Item 1	REAR BUMPER	QTY. 1	ITEM 2	RIGHT FRAME MOUNT	QTY. 1
					
ITEM 3	LEFT FRAME MOUNT	QTY. 1	ITEM 4	HARDWARE KITS	
			✓ HARDWARE KIT #53 (60K-56-0053) ✓ LICENSE PLATE MOUNT KIT		
ITEM 5	WELDNUT TAB 3	QTY. 2	ITEM 6	SENSOR CUTOUT PLUGS	QTY. 4
					

REMOVE CONTENTS FROM BOX AND VERIFY ALL PARTS ARE PRESENT.

If there are any questions, call 1-855 HHTOUGH or email HHORDERS@hammerheadarmor.com

II. TOOL LIST

- ✓ A good friend
- ✓ Basic tool set
- ✓ Blue masking tape
- ✓ 13mm socket
- ✓ 15mm socket
- ✓ 21mm socket
- ✓ ¾" socket
- ✓ Ratchet extension

III. VEHICLE PREPARATION

1. Park vehicle on level surface.
2. Engage parking brake and disconnect battery.
3. Using blue masking tape, mask along the profile of your truck above the bumper. This will help protect your truck from any accidental scratches.

IV. REMOVAL OF OE BUMPER

1. Unplug trailer plug, license plate lights, and sensors (if applicable).



2. Using a 21mm deep well socket, remove four nuts attaching bumper to the frame. Repeat for other side.



- Using a 13mm socket, remove two bolts attaching bumper to receiver hitch. Bumper is now free to be removed. Set aside as it will not be reused.



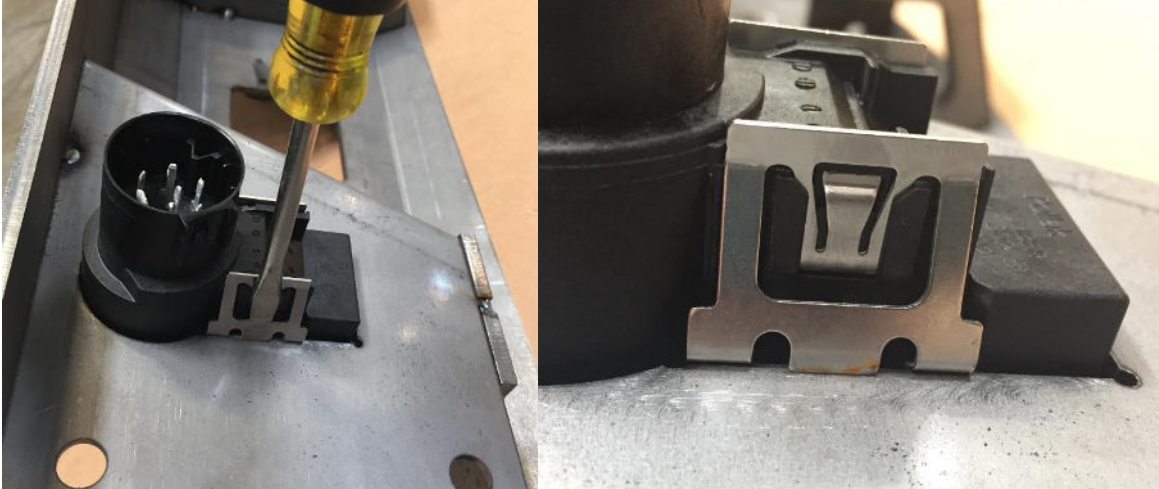
- Using a 21mm socket and a 13mm socket, remove OE bumper frame mount from frame of truck. Repeat for other side.



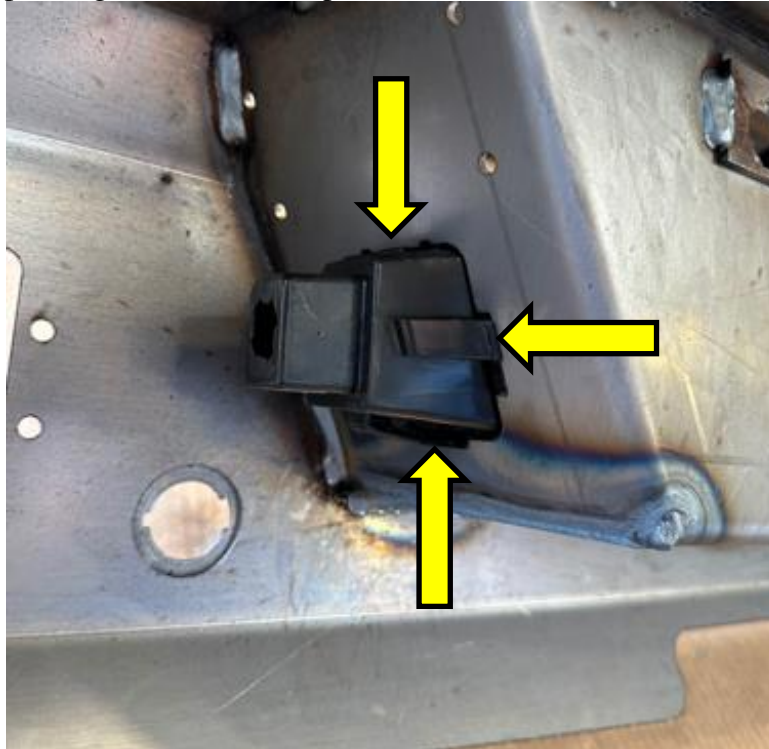
5. Remove license plate lights, trailer connector, sensors, sensor grommets, spare tire access lock, and wiring harnesses from bumper.

V. INSTALLATION OF HAMMERHEAD BUMPER

1. Lay bumper face down on a carpeted surface or a piece of cardboard. Carefully install sensors, sensor grommets, and harnesses into HH bumper in same orientation as OE bumper.
2. Install trailer connector in bumper. Use a flat head screwdriver to pull out on the metal clips to ensure the middle of the connector is engaged properly.



3. Install OE license plate lights into HH bumper as shown below. Note location of tabs and notches.



4. Install lights in bumper
 - a. Flush mount bumper- Install flush mounts lights using light manufacturers provided hardware.
 - b. Standard bumper – install provided 4” round lights in cutout and then install grommet. From front of bumper push lights in grommet to complete installation.
5. Using OE bolt strips, install HammerHead frame mounts on frame as shown below. Slide mounts away from truck as far as possible. Do not fully tighten.



6. Using hardware kit # 53 and two weldnut tabs, attach bumper to HH frame mounts. Do not fully tighten.



7. Align bumper horizontally and vertically and tighten nuts using $\frac{3}{4}$ " socket. Note; open tailgate slowly to ensure minimum of $\frac{3}{8}$ " clearance below tailgate and minimum of $\frac{3}{8}$ " clearance from truck body. Plug in trailer connector and license plate/sensor harnesses.



**Congratulations! Your product installation is now complete.
Thank you for your purchase!**