

INSTALL INSTRUCTIONS

EXCURSION REAR BUMPER

Product Range : 61200

Application : 99-07 FORD EXCURSION

⚠ WARNING

Read the instructions completely before beginning installation. Before tightening bolts, drilling or cutting where required, check to make sure there are no obstructions such as brake, fuel or electrical lines which may be damaged. Also keep in mind this is an after-market product and MAY require minor shimming and/or trimming, reaming, etc. for proper fit. Road Armor is not responsible for any damages to vehicle.

ⓘ IMPORTANT NOTICE

- Be sure to inspect and test fit your product to ensure proper fitment before having it coated, painted, bed lined, etc.
- Road Armor will not be responsible for the cost of coating your unit if any problems with fit or finish are not

SAFETY FIRST!

- FOLLOW ALL INSTRUCTIONS, YOUR SAFETY AND THE SAFETY OF OTHERS IS MOST IMPORTANT.
- WEAR APPROPRIATE EYE PROTECTION AND EXERCISE CAUTION WHEN DRILLING / CUTTING

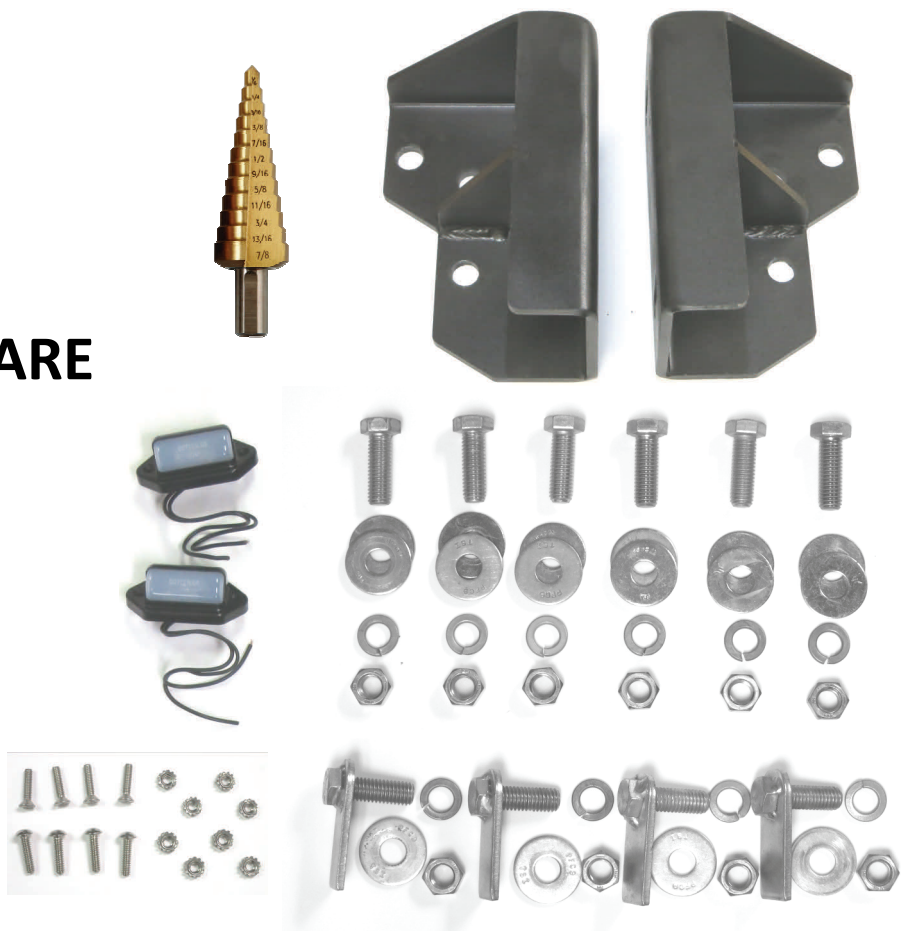
REQUIRED TOOLS

SAE & Metric Sockets and Wrenches

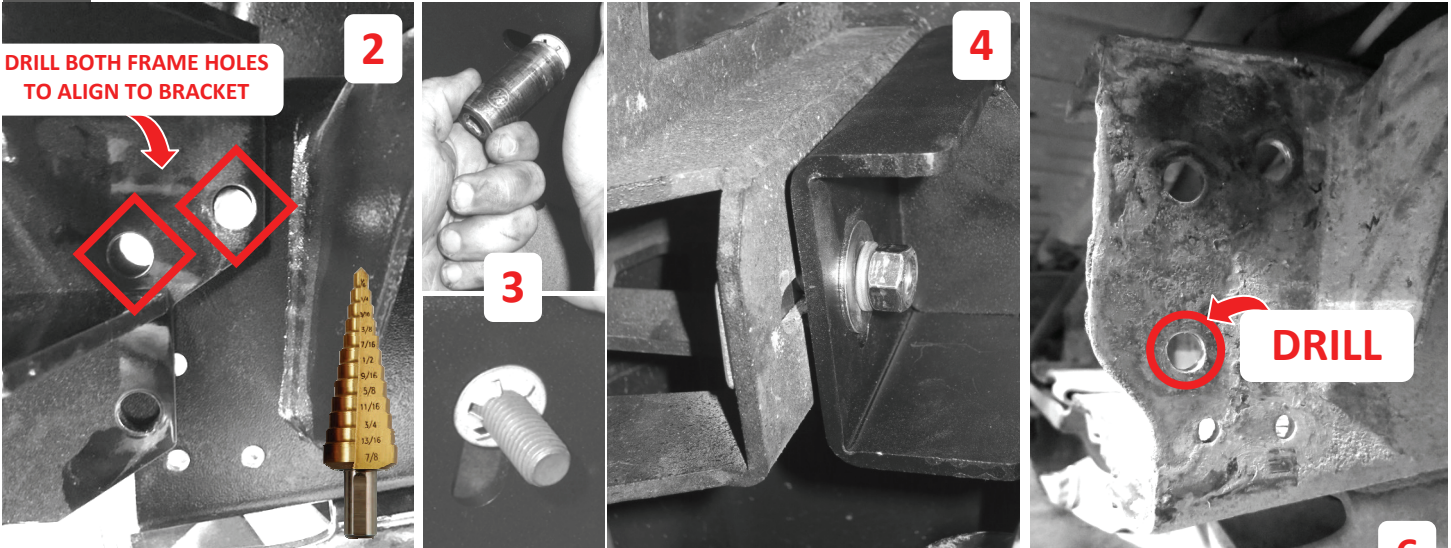
9/16" Drill Bit or step bit

INCLUDED HARDWARE

- 4 1.5" SINGLE BOLT TAB (ZINC)
- 6 1.5" x 1/2"-13 Bolts
- 16 1/2" Flat Washer
- 10 1/2" Split Lock Washer
- 10 1/2"-13 Grade 8 Hex Nut
- 1 Stainless Logo & Bolt Kit
- 2 License Plate Lights & hardware



- 1 Remove factory bumper and set aside.
- 2 On some models the bolt pattern here is off. To alleviate this, using a step bit, open both holes until the bracket will bolt on. This also adds some rotational adjustment. Touch up the bare steel with spray paint.



- 3 Push on one retainer washer over bolt plate each side.
- 4 Now fit up the bumper to the brackets using the single bolt tabs and snug but don't tighten. This allows you to adjust the rotation, side to side as well as up and down a little.
- 5 Once satisfied with fitment, tighten up the brackets and bumper to brackets.
- 6 Now drill the third bracket hole through the bracket and touch up with spray paint, then tighten the final bolt in place to secure the bracket to frame.
- 7 If you have the tire carrier version, please attach as shown.
- 8 Stainless button head bolts are for logo, tapered bolts are for license plate lights. Installation of license plate lights is done at your discretion.

