

INSTALLATION INSTRUCTIONS

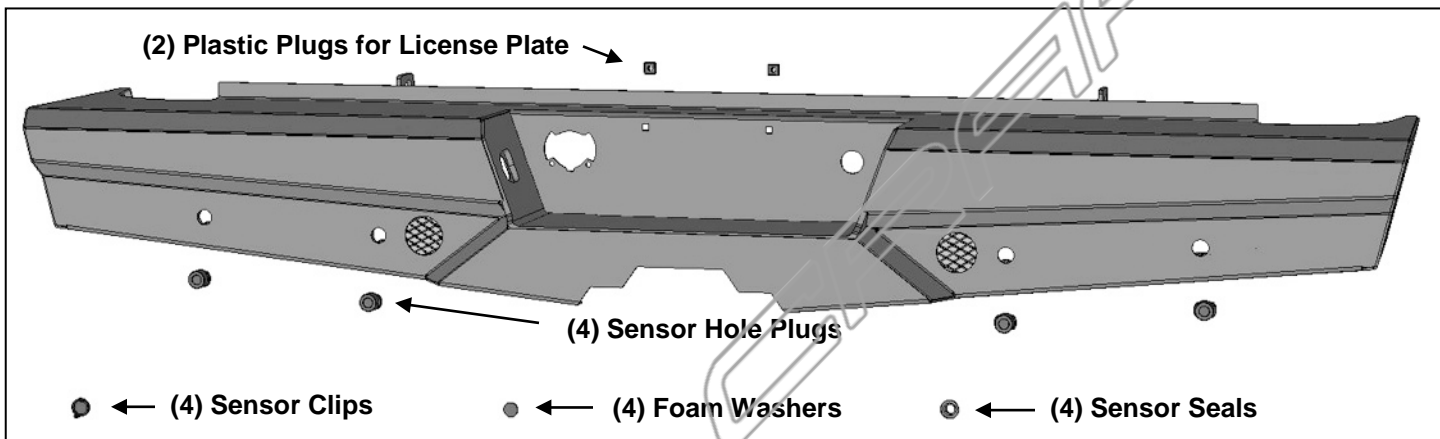
**ELEVATION REAR BUMPER
2007-13 CHEVY/GMC SILVERADO/SIERRA 1500**

STEEL CRAFT

**ELEVATION REAR BUMPER
2007-13 CHEVY/GMC SILVERADO/SIERRA 1500**

PARTS LIST:

1	Elevation Rear Bumper Assembly	6	14-2.0mm x 45mm Hex Bolts
2	License Plate Plugs	12	14mm x 28mm OD x 2.5mm Flat Washers
4	Sensor Hole Plugs	6	14mm Nylon Lock Nuts
4	Retaining Clips	2	10-1.5mm x 50mm Hex Bolts
4	20mm x 2mm Foam Washers	4	10mm x 34mm OD x 3mm Flat Washers
4	Sensor Sealing Washers	2	10mm Nylon Lock Nuts
2	Self-Tapping Screws	8	4mm x 10mm Button Head Bolts
		1	Wrench (4mm)



PROCEDURE:

REMOVE CONTENTS FROM BOX. VERIFY ALL PARTS ARE PRESENT. READ INSTRUCTIONS CAREFULLY BEFORE STARTING INSTALLATION. BUMPER IS HEAVY, ASSISTANCE IS HIGHLY RECOMMENDED TO AVOID POSSIBLE INJURY OR DAMAGE TO THE VEHICLE.

1. Remove the license plate. Unplug the wiring harness leading to the bumper. Unplug and remove the trailer plug, license plate lights and spare tire access lock, (if equipped), from the bumper, **(Figures 1 & 4)**.
2. Place blocks or jack stands under the bumper to support it during mounting bolt removal.
3. Remove the (2) hex bolts attaching the OE bumper to the top/center of the receiver hitch if equipped, **(Figure 2)**.
4. Starting on the driver/left side, remove the (3) hex bolts from the side and (1) from the bottom of the frame, **(Figure 3)**. Repeat to remove passenger/right side hardware.
5. With assistance, pull bumper assembly straight out from vehicle, **(Figure 4)**.
6. Remove wiring harness from factory bumper.
7. Determine if the vehicle is equipped with sensors:

Models without bumper sensors:

- a. Select the included (4) Rubber Plugs.
- b. From behind bumper, push plugs into sensor mounting holes, **(Figure 5)**. Screws have been provided to lock the plugs in the sleeve. Use is optional.

Models with bumper mounted sensors:

- a. Remove sensors from factory bumper.
- b. Test fit sensor in sleeve. It may be necessary to cut or grind off the tabs on the sides of the sensor to fit into the sleeve.
- c. Remove the silicone seal from the end of the sensor. Slide the included larger Sensor Seal over front of sensor, **(Figure 6)**.
- d. Insert sensor with Seal into sensor mount, **(Figure 7)**.

ELEVATION REAR BUMPER
2007-13 CHEVY/GMC SILVERADO/SIERRA 1500

- e. Place Foam Washer over end of sensor. Push Sensor Retaining Clip into sensor mount and lock into mounting holes, **(Figure 7)**.
 - f. Repeat previous Steps to install remaining sensors.
 - g. Install wiring harness for sensors.
 - h. **Optional:** Secure each sensor to the socket with (2) 4mm x 10mm Button Head Screws, **(Figure 12)**. **IMPORTANT:** Sensors fit snug in sockets. The 4mm Screws are used to apply slight pressure to lock the sensors in place. Tighten both screws evenly until they touch the sensor body only. Do not overtighten screws or damage to sensors will result.
8. With assistance, position the Bumper Assembly up to and slide into the end of the frame. Temporarily support the weight of the Bumper. **WARNING:** To avoid possible injury or damage to the vehicle, do not proceed until the Bumper is fully and safely supported.
 9. Starting on the driver/left side, attach the Bumper bracket to the smaller forward hole in the frame with (1) 10mm x 50mm Hex Bolt, (2) 10mm Flat Washers and (1) 10mm Nylon Lock Nut, **(Figures 8 & 10)**. Attach the Bracket to the side and bottom of the frame with (2) 14mm x 45mm Hex Bolts, (4) 14mm Flat Washers and (2) 14mm Nylon Lock Nut, **(Figures 8—10)**. Do not fully tighten hardware at this time. **NOTE:** On some models/years, the factory tow hitch may have support straps attached to the outside of the frame. Use the included (1) 14mm x 45mm Hex Bolt, (2) 14mm Flat Washers and (1) 14mm Nylon Lock Nut to attach the top hole in the strap to the top mounting hole on the frame, **(Figure 8)**. Bottom hole in strap is attached to Bumper Bracket. Repeat to attach the passenger/right side of the Bumper assembly.
 10. Level and adjust the bumper and fully tighten all hardware. Slowly open tailgate and check for clearance. Adjust as necessary.
 11. Install the spare tire access lock and trailer plug, **(Figure 11)**. Use the included (2) Self Tapping Screws to attach the trailer plug to the Bumper, **(Figure 12)**.
 12. Use the included (2) push-in Plastic Plugs to attach the rear license plate to the (2) holes in the Bumper, **(Figure 12)**. Insert the License Plate Lights into the holes in the bumper.
 13. Attach the wiring harness to the lights and trailer plug.
 14. Do periodic inspections to the installation to make sure that all hardware is secure and tight.

To protect your investment, wax this product after installing. Regular waxing is recommended to add a protective layer over the finish. Do not use any type of polish or wax that may contain abrasives that could damage the finish. Mild soap may be used to clean the Bumper assembly.

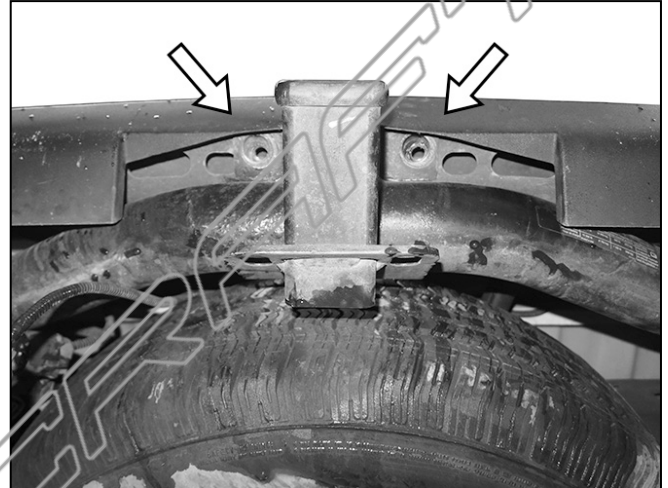
ELEVATION REAR BUMPER

2007-13 CHEVY/GMC SILVERADO/SIERRA 1500

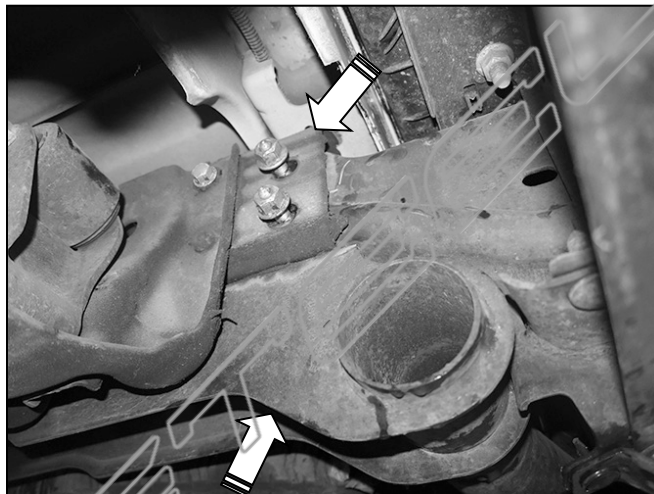
Driver/left side installation pictured



(Fig 1) Remove license plate and spare tire access lock. Unplug and remove license plate lights, and trailer plug if equipped



(Fig 2) Remove (2) hex bolts attaching bumper to hitch (arrows-pictured from below)



(Fig 3) Remove bumper bolts from outside of frame (arrows). Driver/left side pictured from below

WARNING! Before removing hardware, fully support the weight of the bumper with blocks or stands to prevent injury or damage to the vehicle.

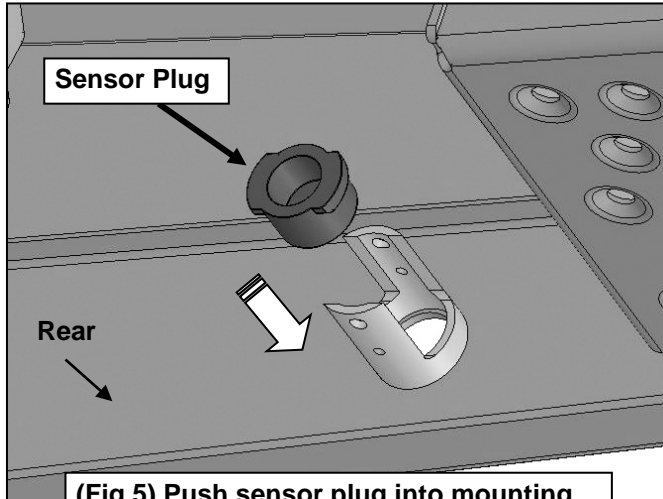


(Fig 4) Unplug wiring harness leading to bumper. Slide complete bumper assembly out of frame

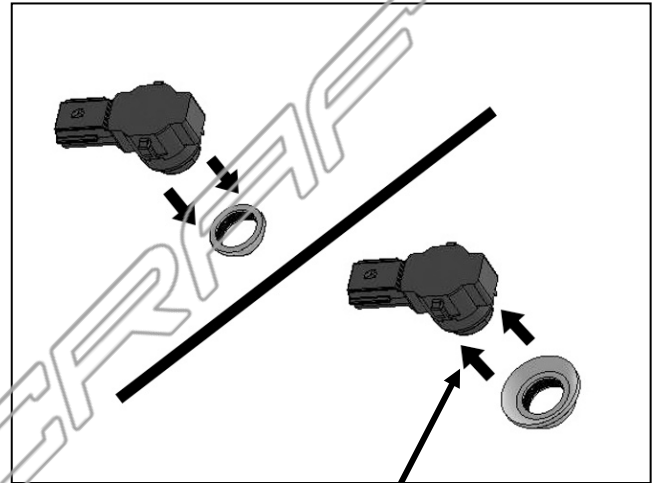
ELEVATION REAR BUMPER

2007-13 CHEVY/GMC SILVERADO/SIERRA 1500

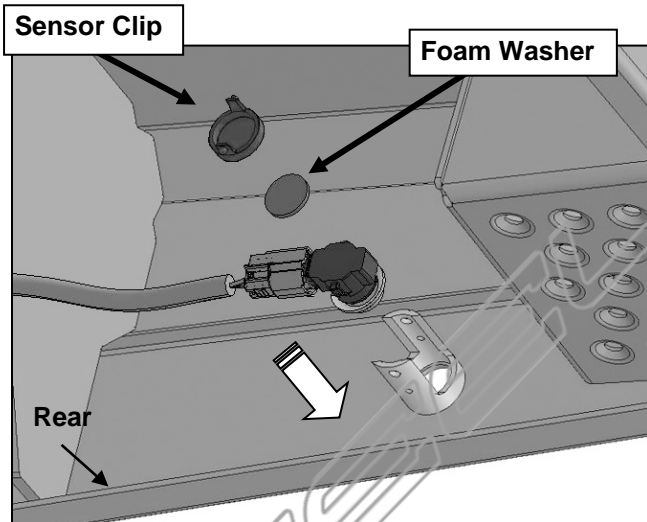
Driver/left side installation pictured



(Fig 5) Push sensor plug into mounting sleeve. Use of 4mm Screws is optional



(Fig 6) Remove silicone seal from sensor. Slide large Seal over end of sensor (arrow)

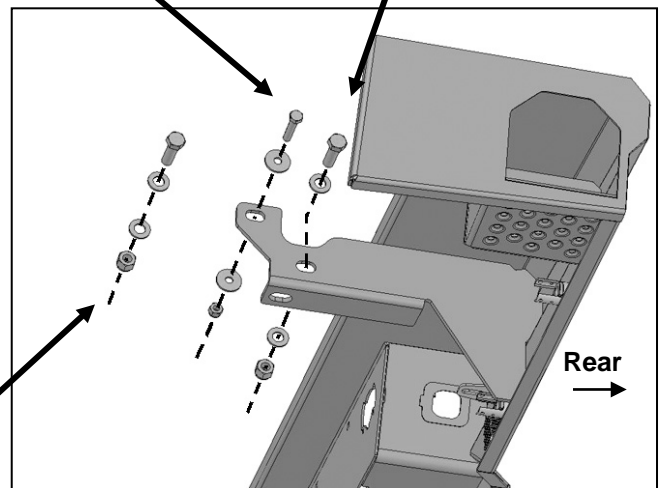


(Fig 7) Slide sensor into sleeve, insert Foam Washer and Clip to lock sensor in sleeve

NOTE: Sensor plugs fit snug in sockets. Use of the 4mm Screws is optional. 4mm Screws can also be used to apply slight pressure to lock the sensors in place or to aim the sensor. Tighten both screws evenly until they touch the sensor body only. Do not overtighten screws or damage to sensors will result.

On models with support strap on side of hitch, use included:
14mm x 45mm Hex Bolt
(2) 14mm Flat Washers
14mm Nylon Lock Nut

- 10mm x 50mm Hex Bolt
(2) 10mm Flat Washers
10mm Nylon Lock Nut
- 14mm x 45mm Hex Bolt
(2) 14mm Flat Washers
14mm Nylon Lock Nut

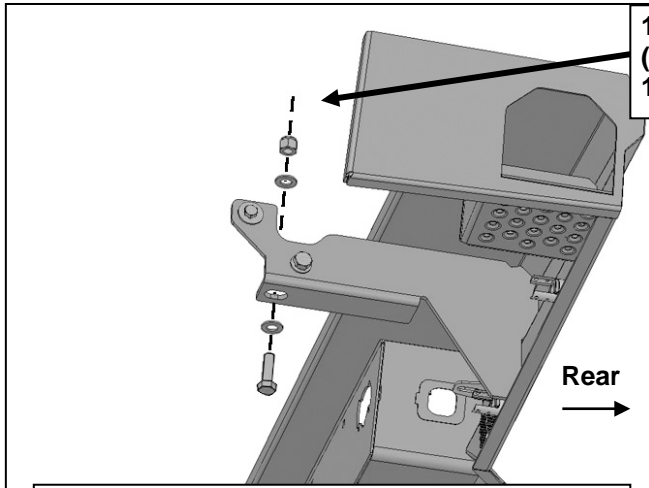


(Fig 8) Attach Bumper Bracket to side mounting holes in frame and hitch if equipped

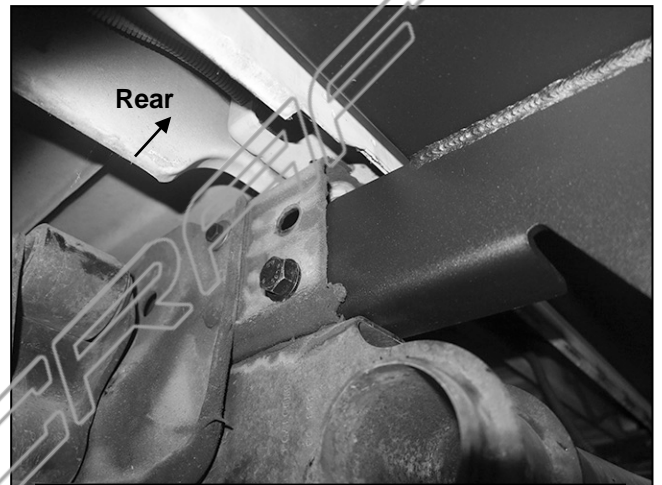
ELEVATION REAR BUMPER

2007-13 CHEVY/GMC SILVERADO/SIERRA 1500

Driver/left side installation pictured



(Fig 9) Attach Bumper Bracket to mounting hole in bottom of frame and hitch if equipped



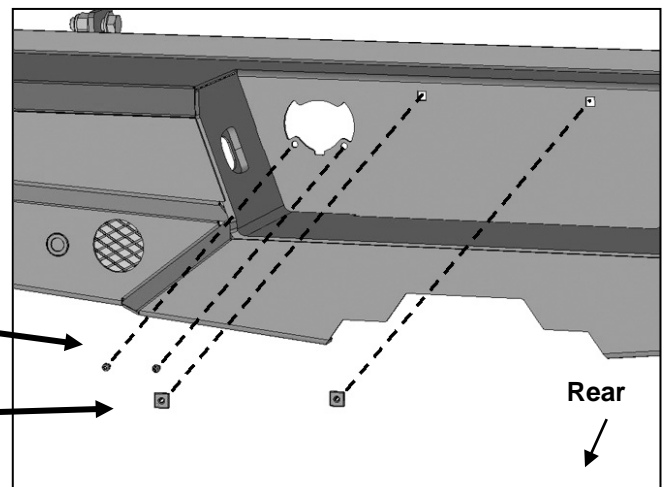
(Fig 10) Driver/left side installation pictured



(Fig 11) Install license plate lights, trailer plug and spare tire access lock

(2) Self Tapping Screws

(2) License plate plugs



(Fig 12) Use included Self Tapping Screws to attach trailer plug. Insert (2) Plastic Plugs for license plate