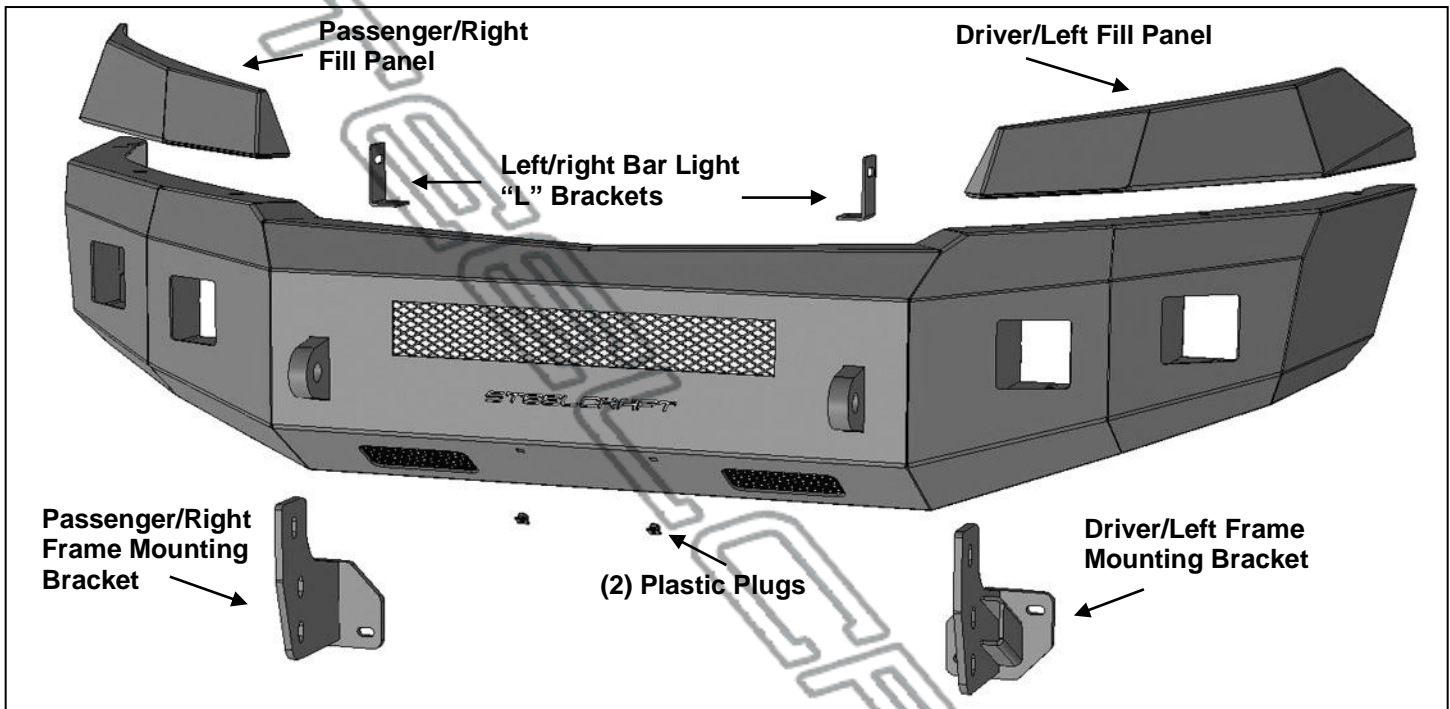


**FORTIS FRONT BUMPER
2015-20 CHEVY COLORADO**

PARTS LIST:

1	Fortis Front Bumper Assembly	6	12mm Lock Washers
1	Driver/left Fill Panel	6	12mm Hex Nuts
1	Passenger/right Fill Panel	6	8mm Flange Nuts
1	Driver/left Frame Mounting Bracket	8	8mm x 25mm Hex Bolts
1	Passenger/right Frame Mounting Bracket	2	8mm x 16mm Hex Bolts
1	Driver/left "L" Bracket (center LED light)	12	8mm x 24mm x 2mm Flat Washers
1	Passenger/right "L" Bracket (center LED light)	4	8mm Lock Washers
6	12-1.75mm x 50mm Hex Bolts	2	8mm Hex Nuts
12	12mm x 32mm x 3mm Large Flat Washers	2	Plastic Plugs for License Plate



PROCEDURE:

REMOVE CONTENTS FROM BOX. VERIFY ALL PARTS ARE PRESENT. READ INSTRUCTIONS CAREFULLY BEFORE STARTING INSTALLATION. ASSISTANCE IS HIGHLY RECOMMENDED TO AVOID POSSIBLE INJURY OR DAMAGE TO THE VEHICLE.

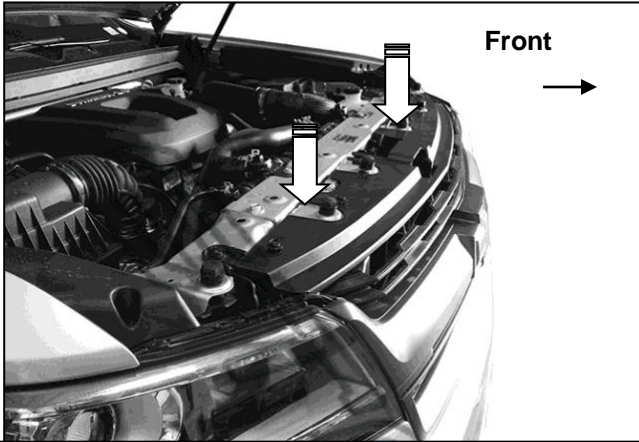
1. Remove the license plate and bracket. Next, open the hood and remove the plastic cover from the top of the radiator and the grille, **(Figure 1)**. Remove the hardware attaching the top of the grille.
2. Move to below the front bumper and remove the hex bolts attaching the bottom of the bumper cover to the steel inner impact bumper, **(Figure 2)**. Next, locate the driver/left side plastic inner bumper reinforcement. Remove the hardware attaching the reinforcement to the end of the frame, **(Figure 3)**. Repeat to release the passenger/right side bumper reinforcement.
3. Move to the driver/left wheel opening and remove the (7) screws attaching the plastic fender liner to the fender, **(Figure 4)**. Carefully separate the fender liner from the fender. On models with factory fog lights, reach in through the opening between the liner and the fender and unplug the wiring harness leading to the light, **(Figure 5)**. Also unplug harness leading to the bumper.
4. Next, locate and remove the (3) screws attaching the end of the bumper cover to the front of the fender, **(Figure 6)**.
5. Repeat **Steps 3 & 4** to remove the bumper cover hardware from the passenger/right side of the vehicle.
6. Move to the lower opening in the bumper cover, **(Figure 7A)**. Remove the (2) hex bolts at the top of the opening in the bumper, visible through the opening, **(Figure 7B)**. **NOTE:** Will require long extension for socket to reach recessed bolts through opening.

**FORTIS FRONT BUMPER
2015-20 CHEVY COLORADO**

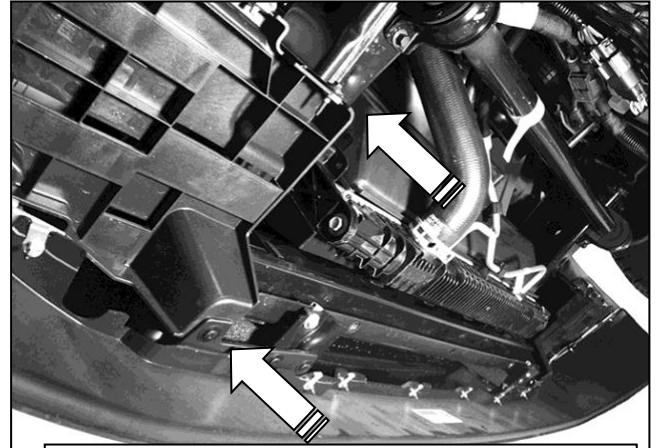
7. With assistance, gently pull the driver/left side of the bumper cover outward from the vehicle. Reach in with a flat blade screwdriver and carefully pry the inner attachment point out from the bracket on the body to release the clips, **(Figure 8)**. Repeat this **Step** to release the passenger/right side of the bumper cover
8. With assistance, remove the bumper cover and grille. Place bumper and grille on a clean, soft surface.
9. Separate the grille from the bumper cover, **(Figure 9)**. **NOTE:** There are (8) clips attaching the bottom of the grille to the bumper, (2) clips are partially hidden under the brackets molded onto the back of the grille. Release all clips to separate the grille from the cover.
10. Reinstall the grille and top cover only, **(Figure 10)**.
11. From the front, locate and remove the (2) hex bolts attaching the air deflector, **(Figure 10)**. Remove deflector. **NOTE:** Deflector may need to be cut or modified to fit the back of the Fortis Bumper.
12. Next, remove the steel impact bumper from the end of the frame, **(Figures 11 & 12)**.
13. Select the driver/left side Frame Mounting Bracket, **(Figure 13)**. Reuse (2) factory hex bolts to attach the Bracket to the end of the frame, **(Figures 13 & 14)**. Snug but do not fully tighten hardware at this time. Repeat to install the passenger/right Frame Mounting Bracket. **NOTE:** Tow hooks do not need to be removed for Bumper installation.
14. **Center LED light installation** (sold separately).
 - a. Select the L/R “L” Brackets, **(Figure 15)**. Attach the Brackets to the top of the (2) mounting tabs welded onto the back of the bumper with the included 8mm x 25mm Hex Bolts, (4) 8mm Flat Washers, (2) 8mm Lock Washers and (2) 8mm Hex Nuts. **NOTE:** Slots in Brackets are offset to allow for different sizes of lights. Leave hardware loose at this time.
 - b. Attach the LED light assembly to the “L” Brackets with the included (2) 8mm x 16mm Hex Bolts, (2) 8mm Lock Washers and (2) 8mm Flat Washers, **(Figure 15)**. Do not fully tighten hardware at this time. **IMPORTANT:** “L” Brackets are designed for 8mm light mounting hardware only. Modify “L” Brackets if necessary or use brackets supplied by the light manufacturer if possible, to install hardware larger than 8mm.
 - c. Follow light manufacturer’s instructions to properly wire the light.
15. Select the driver/left Fill Panel, **(Figure 16)**. Attach the Panel to the top of the driver/left side of the Bumper with the included (3) 8mm x 25mm Hex Bolts, (3) 8mm Flat Washers and (3) 8mm Flange Nuts, **(Figure 17)**. Align the Panel with the Bumper and fully tighten hardware. Repeat this **Step** to attach the passenger/right Fill Panel.
16. With assistance, position the Bumper Assembly up to the inside of the Frame Brackets. Temporarily support the weight of the Bumper. **WARNING:** To avoid possible injury or damage to the vehicle, do not proceed until the Bumper is fully and safely supported.
17. Line up the (3) slots in the driver/left side mounting plate on the back of the Bumper with the (3) slots in the Frame Bracket. Attach the Bumper to the inside of the Bracket with the included (3) 12mm x 50mm Hex Bolts, (6) 12mm Flat Washers, (3) 12mm Lock Washers and (3) 12mm Hex Nuts, **(Figures 18 & 19)**. Do not fully tighten hardware at this time. Repeat this **Step** to attach the passenger/right side of the Bumper.
18. Level and adjust the bumper and fully tighten all hardware.
19. Use the included (2) push-in plastic nuts to attach the front license plate, (if required), to the (2) holes in the front bumper, **(Figure 20)**.
20. Do periodic inspections to the installation to make sure that all hardware is secure and tight.

To protect your investment, Do not use any type of polish or wax that may contain abrasives that could damage the finish. Mild soap may be used to clean the Front Bumper assembly.

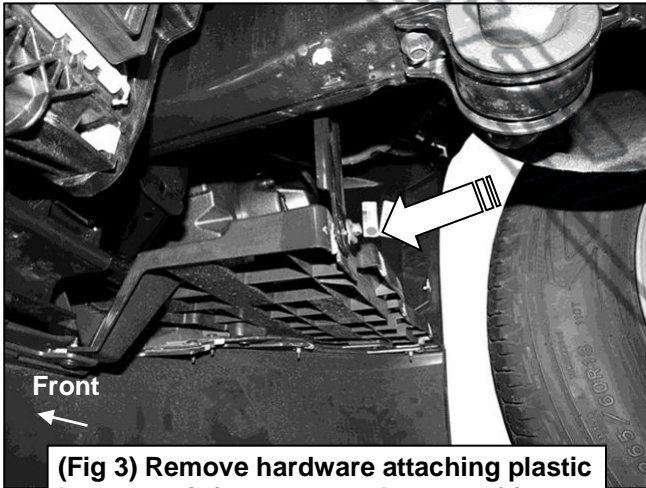
Driver/Left Side Installation Pictured



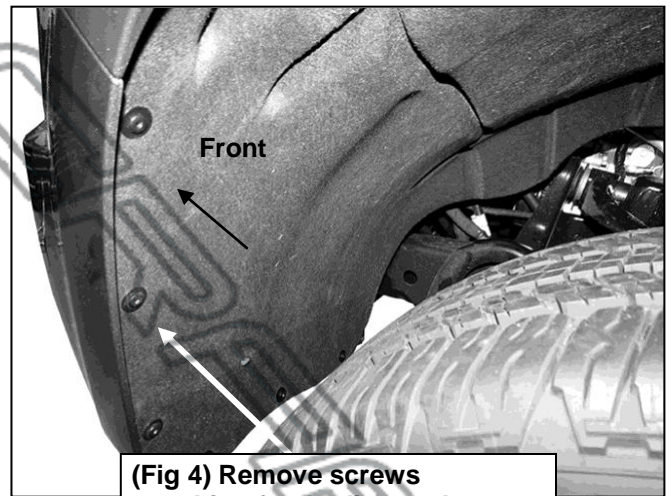
(Fig 1) Remove cover between radiator and grille. Remove screws attaching top of grille (arrows)



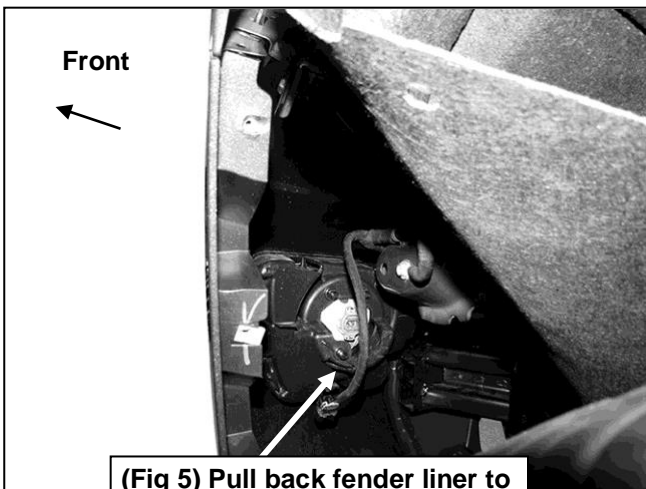
(Fig 2) Remove hardware attaching bumper cover to cross member behind bumper



(Fig 3) Remove hardware attaching plastic bumper reinforcement to bottom of frame, (arrow - passenger side pictured)

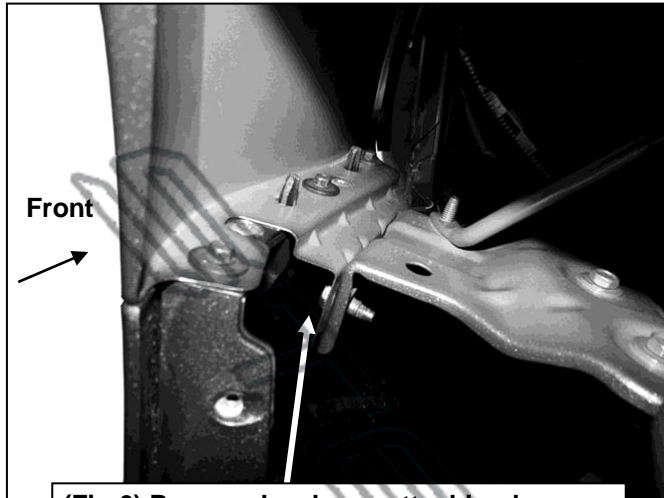


(Fig 4) Remove screws attaching fender liner to bumper



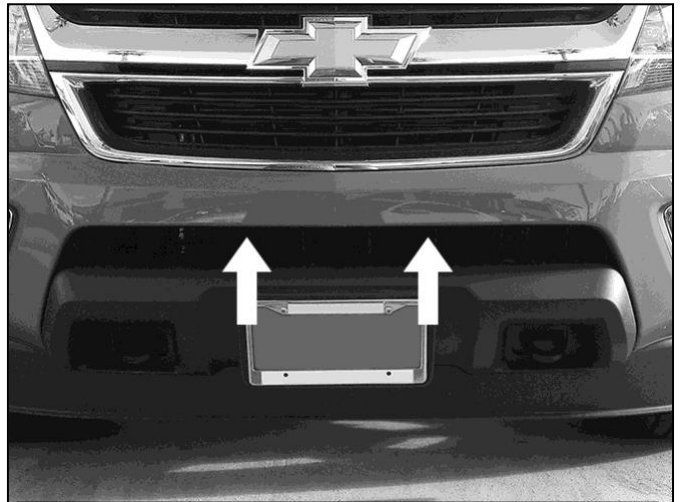
(Fig 5) Pull back fender liner to unplug fog light if equipped

Driver/Left Side Installation Pictured

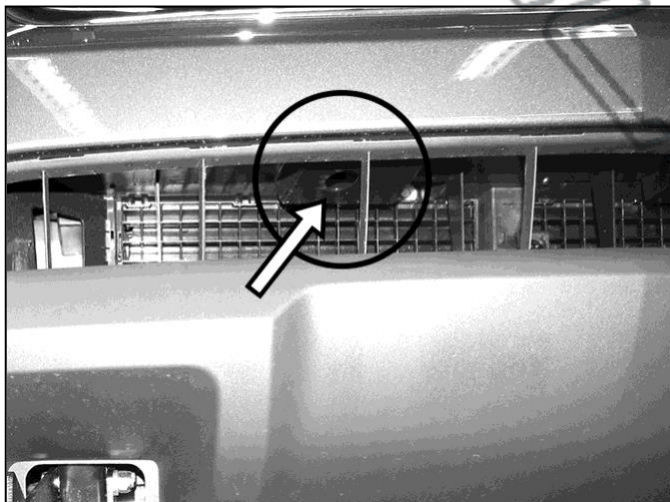


(Fig 6) Remove hardware attaching bumper cover to the front end of the front fender

WARNING! Do not crawl under bumper unless the bumper is properly supported on blocks or stands or the bumper may fall.



(Fig 7A) Locate the (2) hex bolts at the top of the opening in the center of the bumper (arrows)



(Fig 7B) Use a long extension and socket to reach and loosen the (2) hex bolts (arrow-passenger/right location pictured)

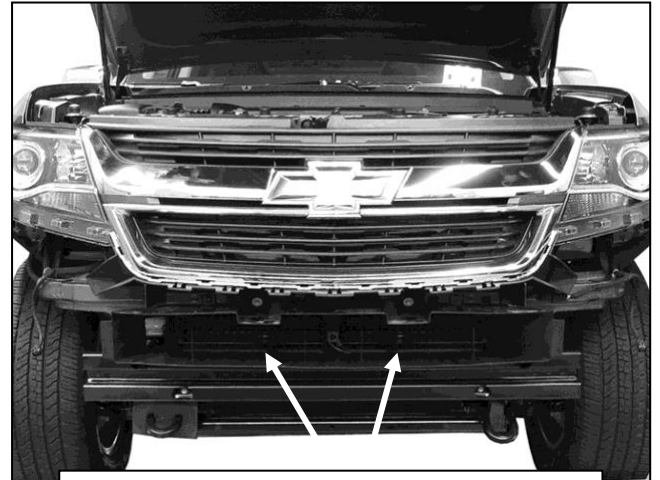


(Fig 8) Pull back loose end of bumper cover to locate inner attachment location for grille below headlight. Use a flat blade screwdriver to carefully pry clips out from bracket to release grille and bumper cover (arrow-passenger/right location pictured)

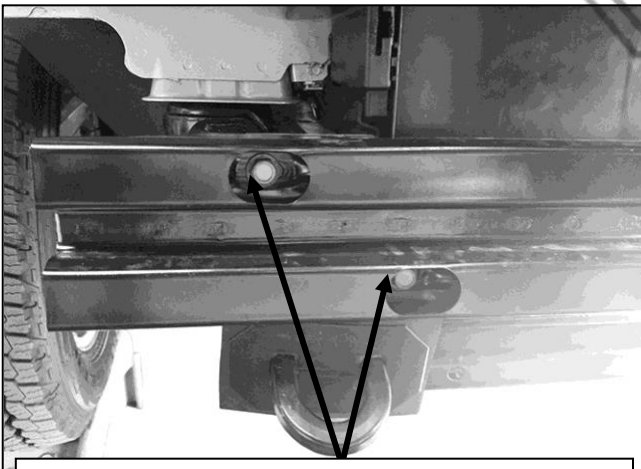
Driver/Left Side Installation Pictured



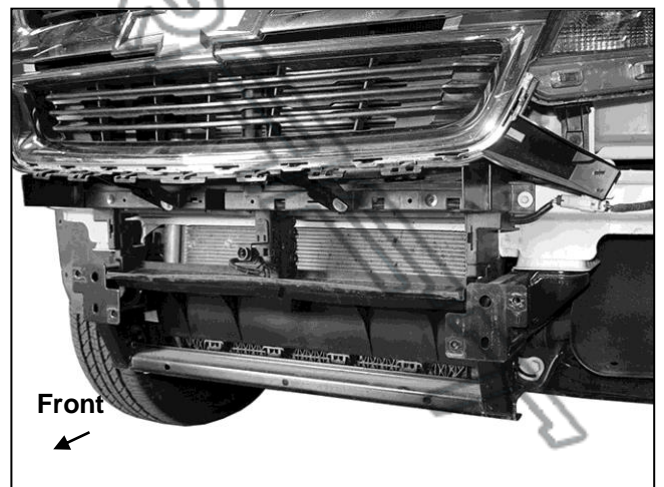
(Fig 9) Release clips to separate grille from bumper (arrows)



(Fig 10) Reinstall grille. Remove (2) hex bolts (arrows) to remove air deflector

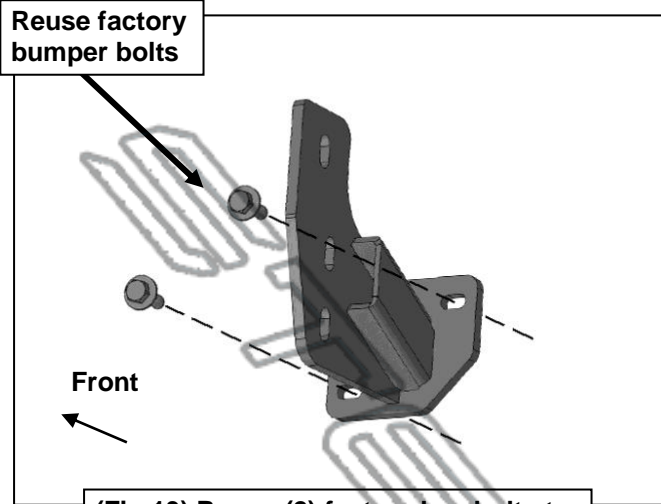


(Fig 11) Remove hex bolts (arrows) to remove impact bumper (passenger side pictured)



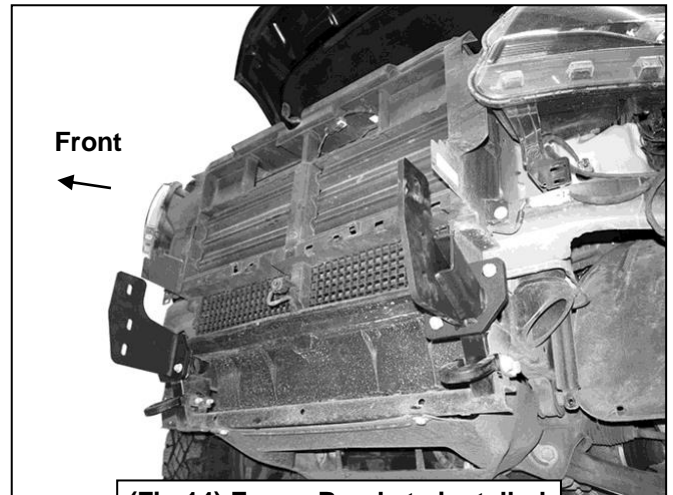
(Fig 12) Factory bumper removed

Driver/Left Side Installation Pictured

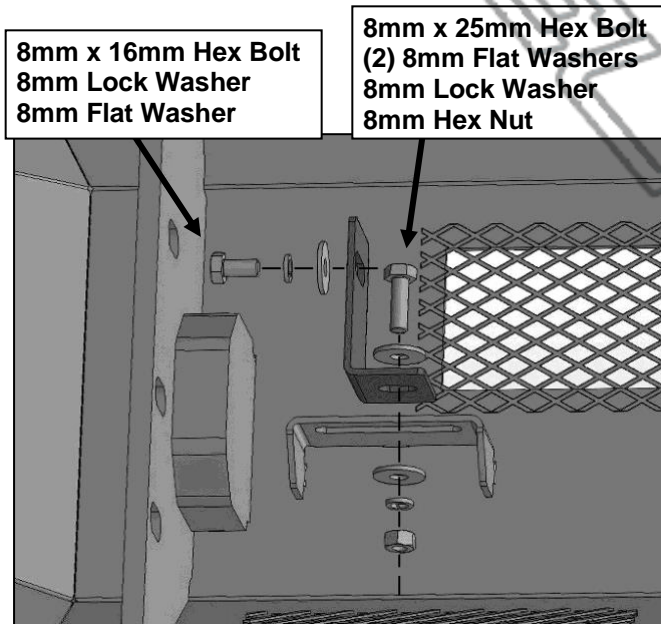


(Fig 13) Reuse (2) factory hex bolts to attach Frame Bracket to end of frame

WARNING! Do not crawl under bumper unless the bumper is properly supported on blocks or stands or the bumper may fall.

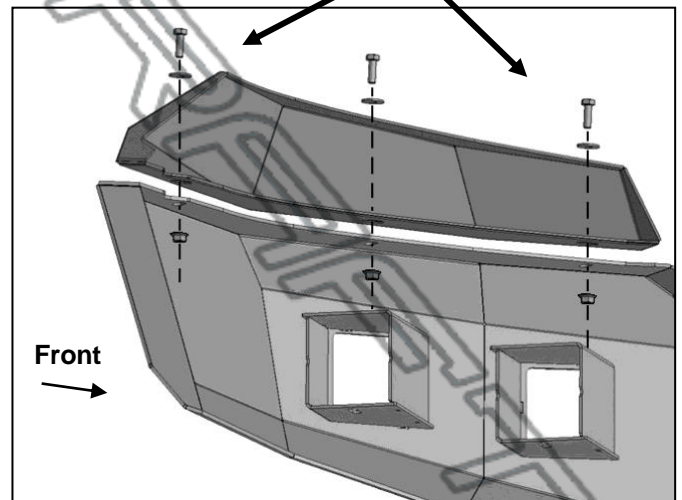


(Fig 14) Frame Brackets installed



(Fig 15) Universal LED Brackets

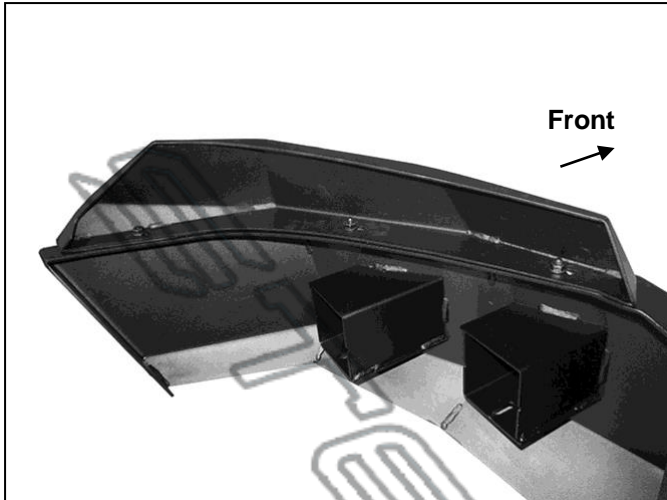
- (3) 8mm x 25mm Hex Bolts
- (3) 8mm Flat Washers
- (3) 8mm Flange Nuts



(Fig 16) Attach Fill Panel to top of Bumper (driver/left side illustrated)

**FORTIS FRONT BUMPER
2015-20 CHEVY COLORADO**

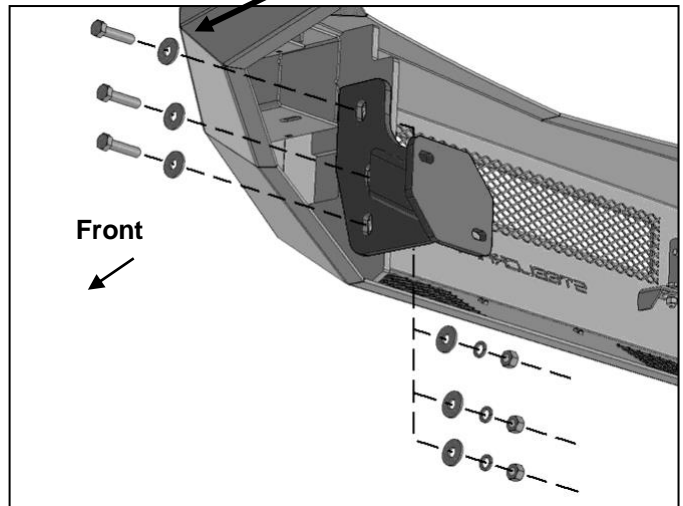
Driver/Left Side Installation Pictured



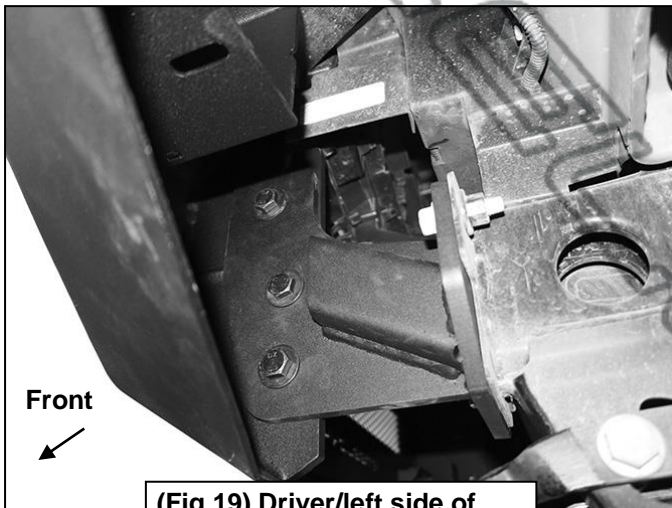
(Fig 17) Fill Panel installed (driver/left side pictured)

WARNING! Do not crawl under bumper unless the bumper is properly supported on blocks or stands or the bumper may fall.

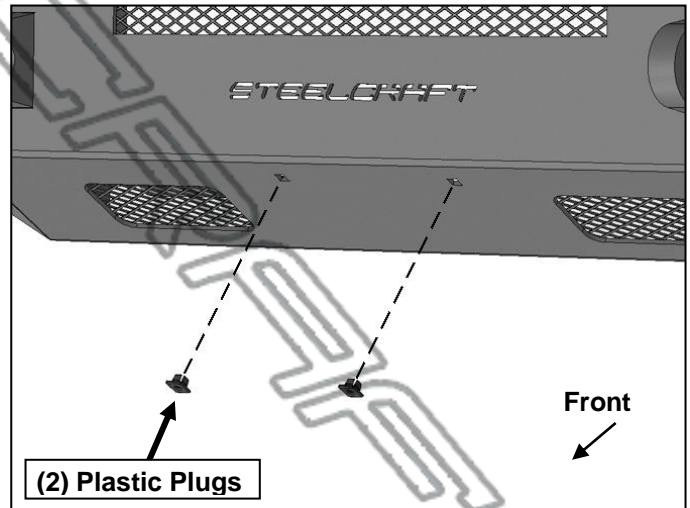
- (3) 12mm x 50mm Hex Bolts
- (6) 12mm Flat Washers
- (3) 12mm Lock Washers
- (3) 12mm Hex Nuts



(Fig 18) Attach the Bumper to Frame Bracket



(Fig 19) Driver/left side of Bumper attached to Bracket



(2) Plastic Plugs

(Fig 20) Insert Plugs to attach license plate



Complete Installation