

# INSTALLATION INSTRUCTIONS

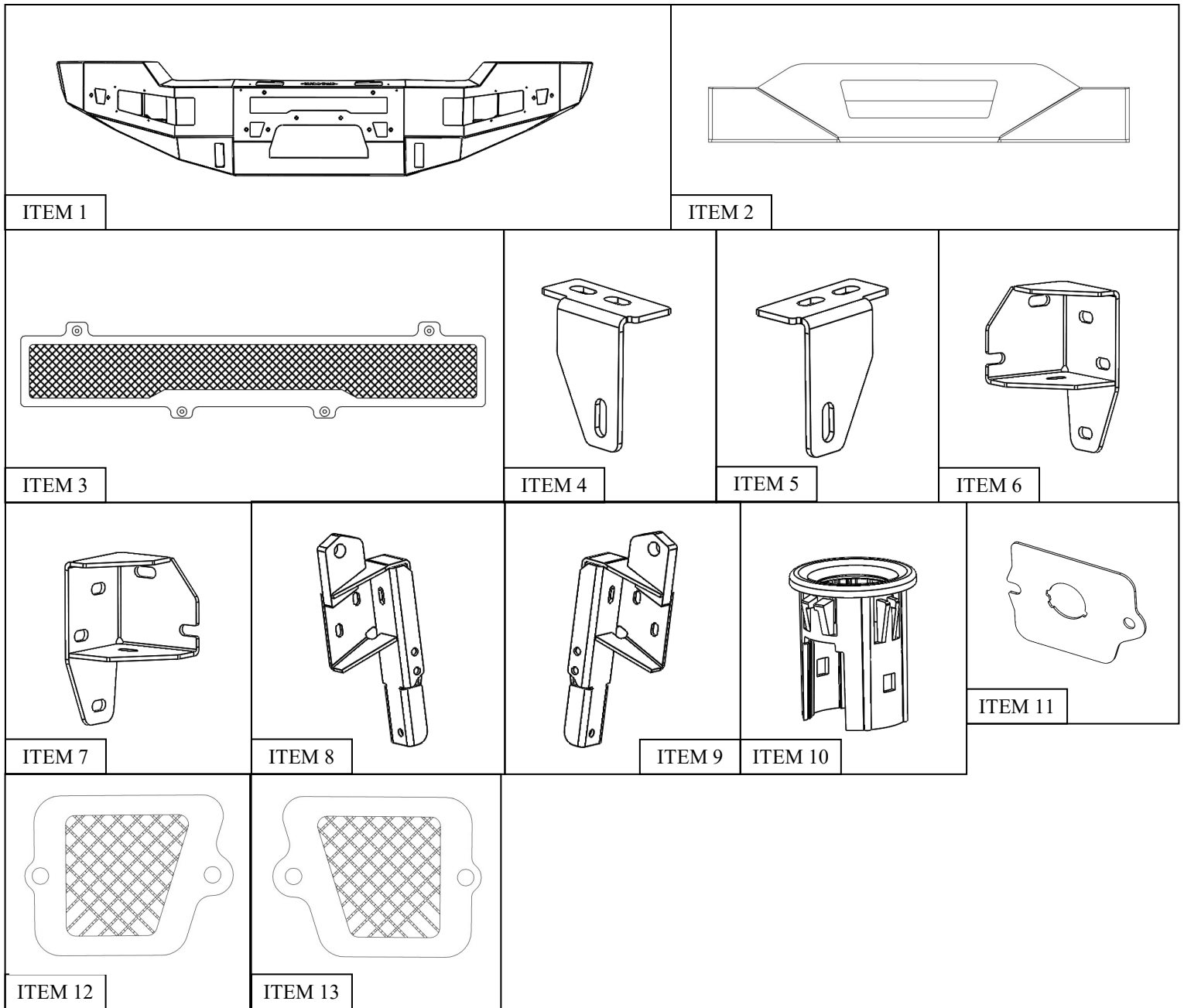
## PRO-SERIES FRONT BUMPER



**APPLICATION:**  
Chevrolet Silverado 2016-2018; Silverado LD 2019  
**PART NUMBER:**  
58-411005

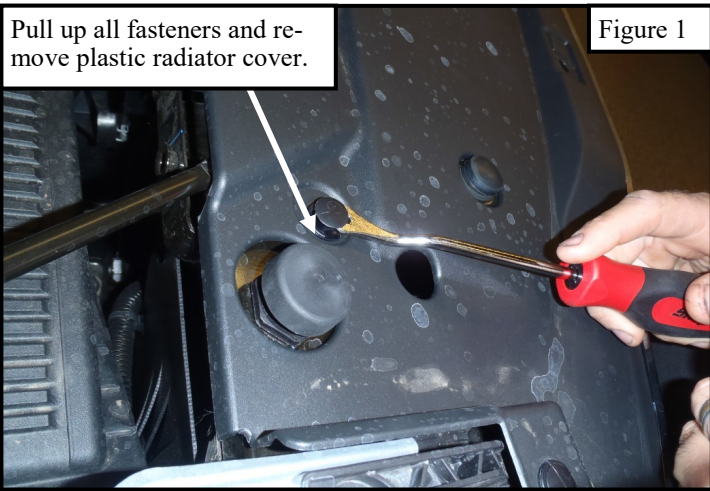
CONTENT			
ITEM	QUANTITY	DESCRIPTION	TOOLS NEEDED
1	1	PRO-SERIES FRONT BUMPER	10MM SOCKET
2	1	WINCH TRAY	10MM WRENCH
3	1	MESH LED COVER	17MM SOCKET
4	1	LED DRIVER BRACKET	17MM WRENCH
5	1	LED PASSENGER BRACKET	19MM SOCKET
6	1	MAIN DRIVER BRACKET	19MM WRENCH
7	1	MAIN PASSENGER BRACKET	RATCHET
8	1	TRAY DRIVER BRACKET	TORQUE WRENCH
9	1	TRAY PASSENGER BRACKET	
10	4	SENSOR RETAINER	
11	4	SENSOR PLATE	
12	2	MESH COVER A	
13	2	MESH COVER B	
14	2	SENSOR WIRING HARNESS	
15	4	M10 HEX BOLT	
16	4	M10 SERRATED FLANGE HEX NUT	
17	4	M10 FLAT WASHER	
18	2	M12 HEX BOLT 70MM	
19	14	M12 SERRATED FLANGE HEX NUT	
20	12	M12 HEX HEAD BOLT 45MM	
21	2	M12 LOCK WASHER	
22	14	M12 FLAT WASHER	
23	2	M12 HEX HEAD BOLT 100MM	
24	4	M6 HEX HEAD BOLT	
25	8	M6 FLAT WASHER	
26	16	M6 SERRATED FLANGE HEX NUT	
27	2	M12 LARGE FLAT WASHER	
28	12	M6 HEX DRIVE COUNTERSUNK SCREWS	

**ANTI-SEIZE LUBRICANT MUST BE USED ON ALL STAINLESS STEEL FASTENERS TO PREVENT THREAD DAMAGE AND GALLING**



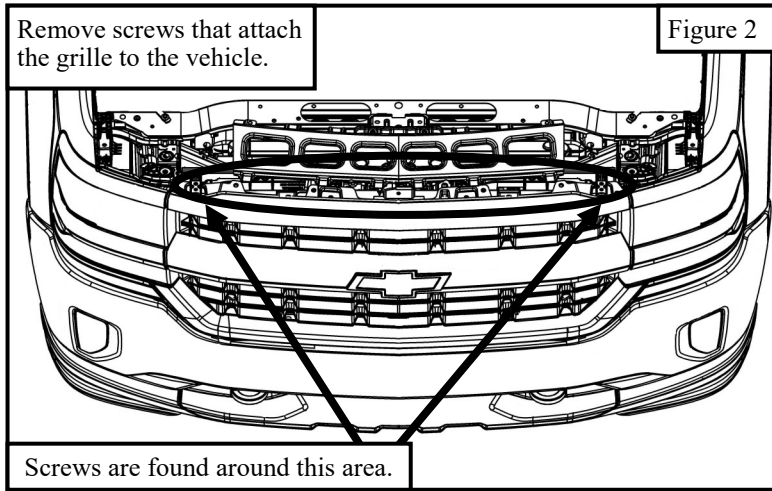
### PROCEDURE

1. Remove contents from box, verify if all parts listed are present and free from damage. Carefully read and understand all instructions before attempting installation.  
**Failure to identify damage before installation could lead to a rejection of any claim.**
2. Remove the radiator cover to reveal screws that attach the grille to the front of vehicle. **See Figure 1.**
3. Remove the screws that attach the grille to the front of vehicle. Carefully pull the grille off the vehicle. **See Figure 2.**



Pull up all fasteners and remove plastic radiator cover.

Figure 1



Remove screws that attach the grille to the vehicle.

Figure 2

Screws are found around this area.

4. Remove the front bumper assembly. See Figures 3 and 4.

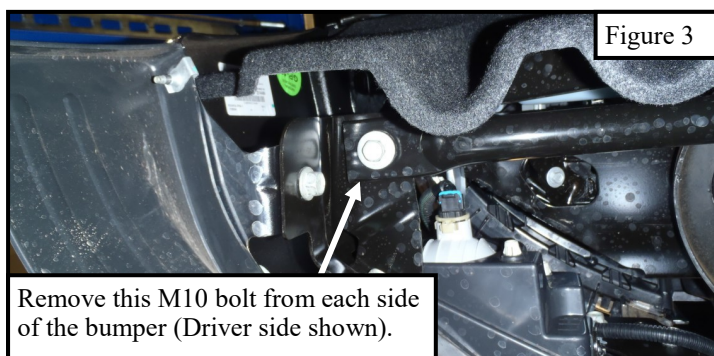


Figure 3

Remove this M10 bolt from each side of the bumper (Driver side shown).

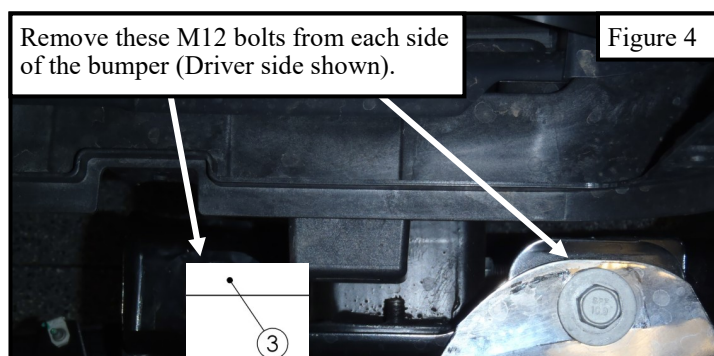


Figure 4

Remove these M12 bolts from each side of the bumper (Driver side shown).

- 5. *For models with factory tow hooks:* Remove the tow hook bolts and the foam tow hook covers. See Figures 5 and 6.
- 6. *For models without factory tow hooks:* Trim the tow hook pockets in the front valance.

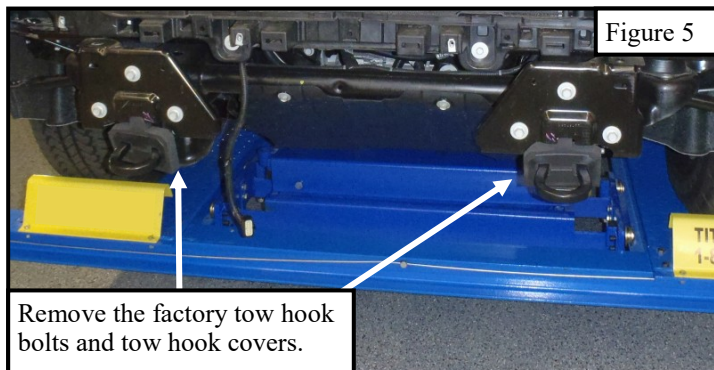


Figure 5

Remove the factory tow hook bolts and tow hook covers.

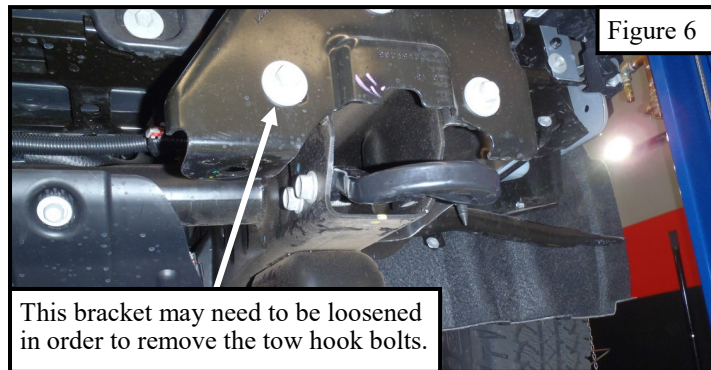
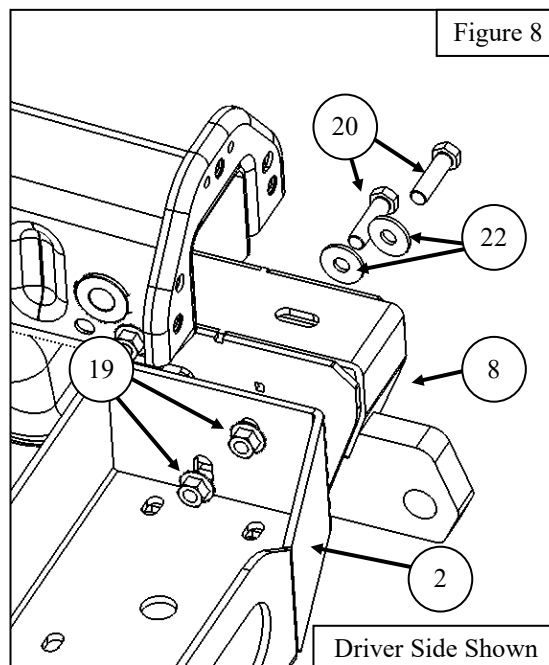
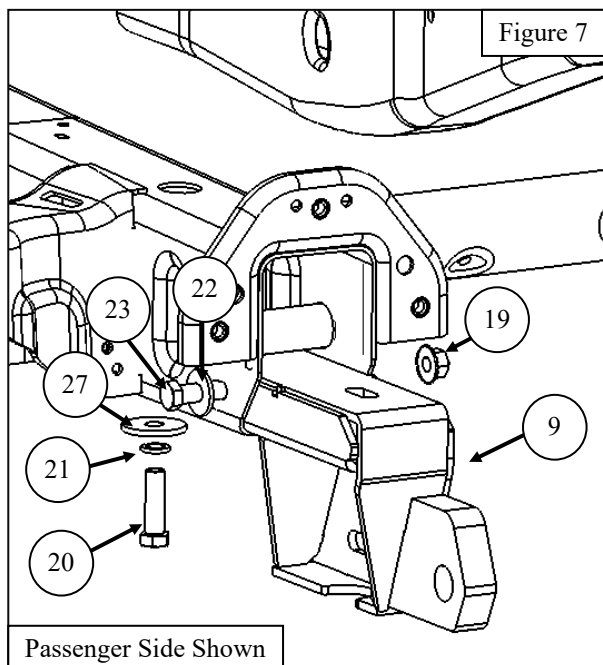


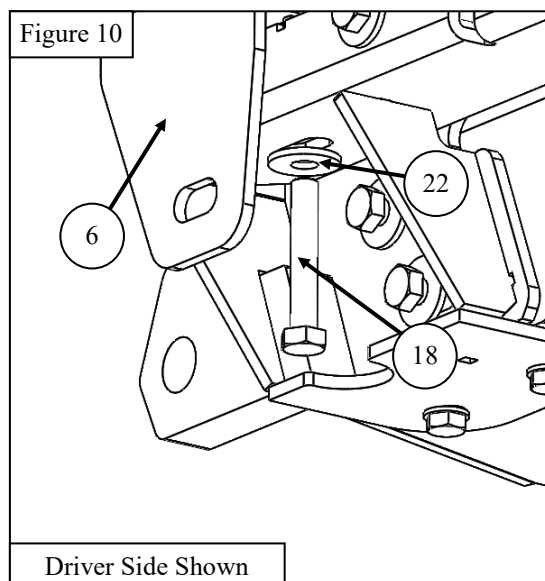
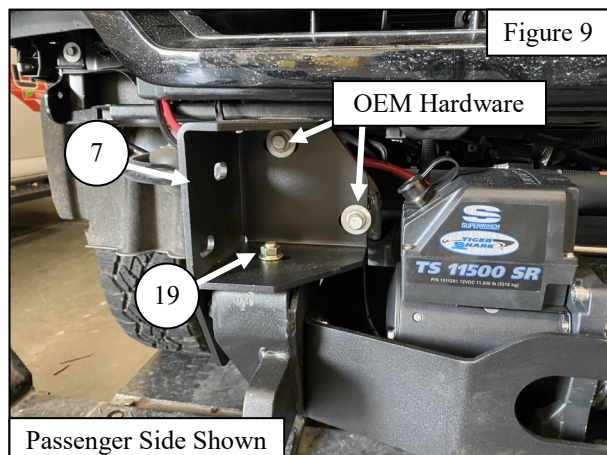
Figure 6

This bracket may need to be loosened in order to remove the tow hook bolts.

7. Locate and install the Tray Driver and Passenger Brackets (items 8 & 9) using the provided M12 hardware (items 19-23, & 27). See **Figure 7** for reference.
8. Locate and install the Winch Tray (item 2) using the supplied M12 hardware (items 19-20, & 22). See **Figure 8** for reference. **Note:** If a winch is being installed, now is the time to do so using manufacturer's instructions. You may use the provided M10 hardware (items 15-17) to mount the winch to the Winch Tray (item 2).



9. Locate and install the Main Driver and Passenger Brackets (items 6 & 7) loosely using the OEM hardware and the provided M12 hardware (items 18-19, & 22). See **Figure 9 & 10** for reference. **Note:** Leave the brackets loose enough to make adjustments later.
10. Measure the **outer** distance of the brackets. Make sure the distance matches the **inner** distance on the bumper mounting locations. (about 36 inches). See **Figure 11** for reference.



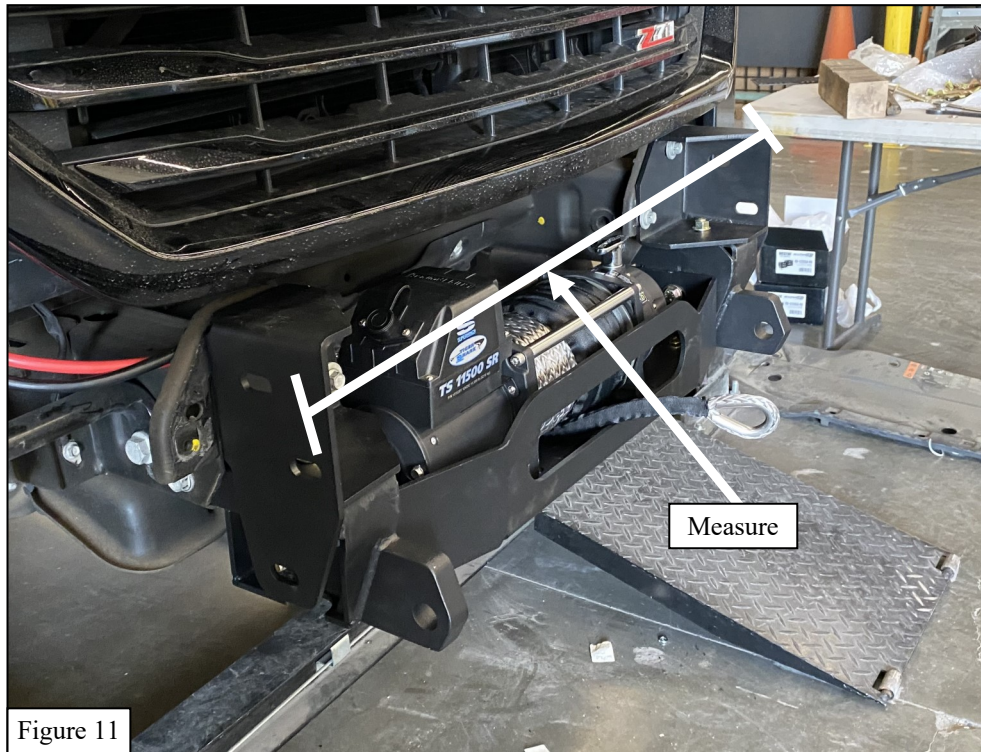


Figure 11

11. **If using the OEM parking sensors**, install the optional sensor plates where the corner mesh covers are using the provided M6 hardware (items 26 & 28).
12. Remove the sensors from the OEM bumper carefully. *Note: Pay attention to the orientation and location of the parking sensors since you will need to install them in the same orientation on the Pro Series Bumper.*
13. Using the provided wire extension harness, install the supplied sensor retainer into each of the sensor plates **from the front** of the bumper. See **Figures 12-14** for reference.
14. **If you are not installing sensors**, install mesh covers A and B using supplied M6 hardware. See **Figures 14 & 15** for reference.

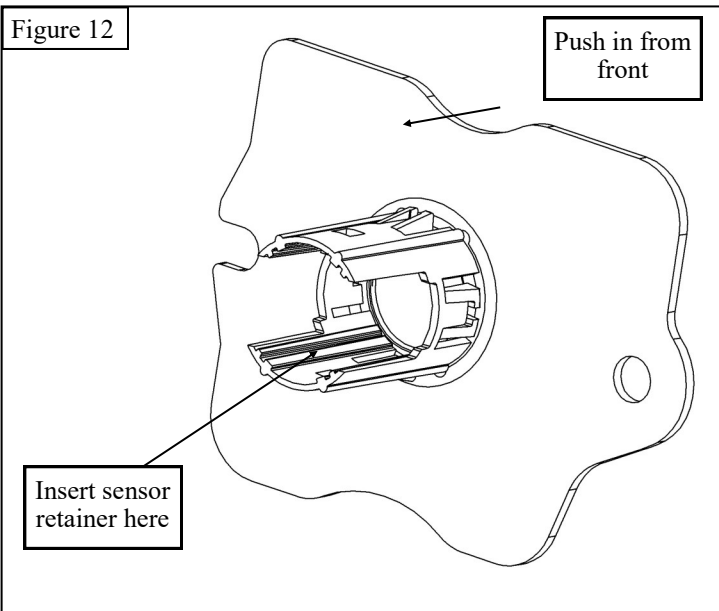


Figure 12

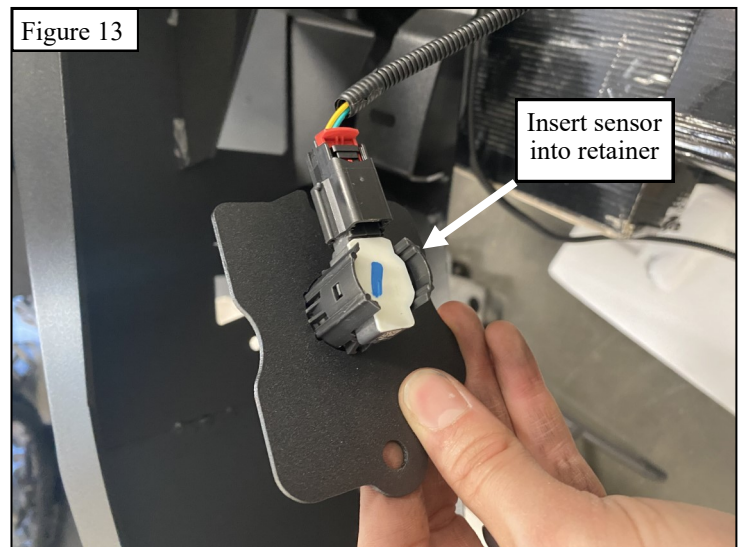
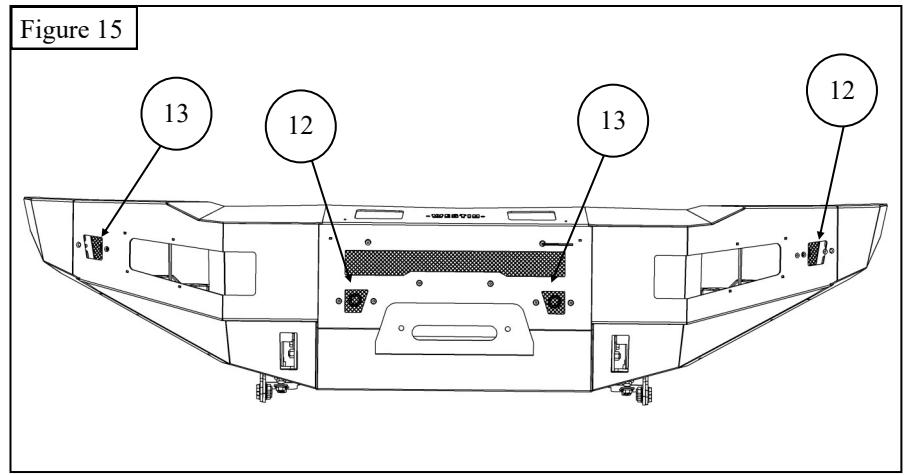
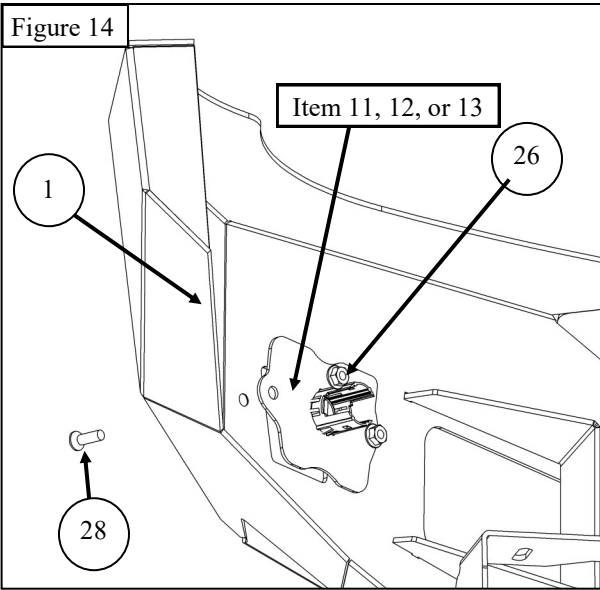
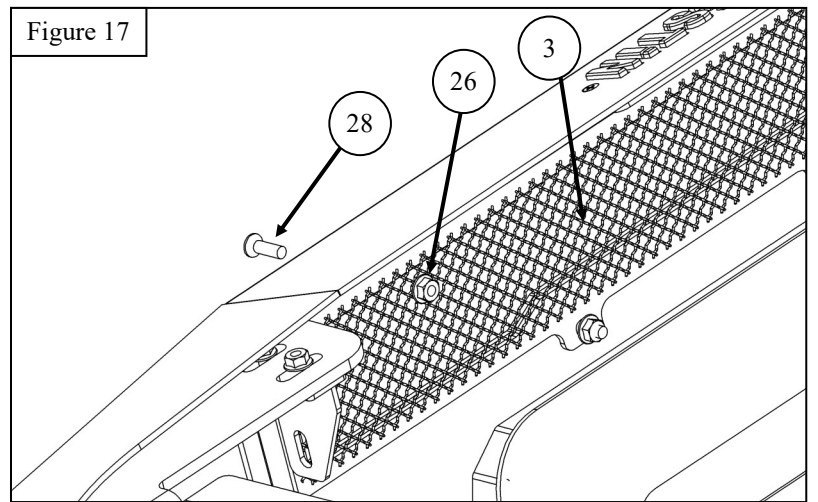
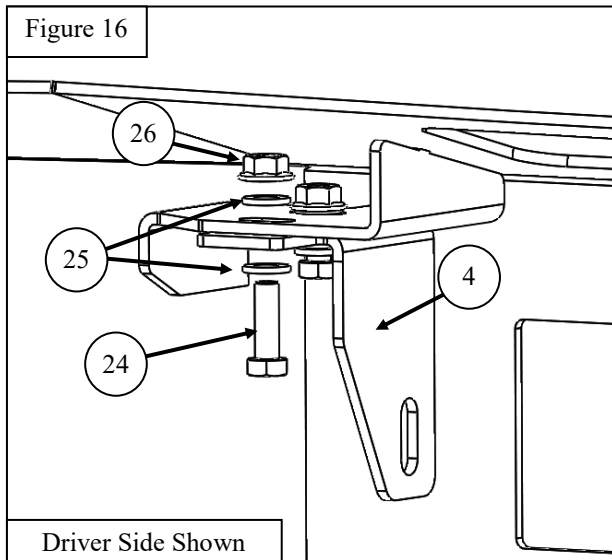


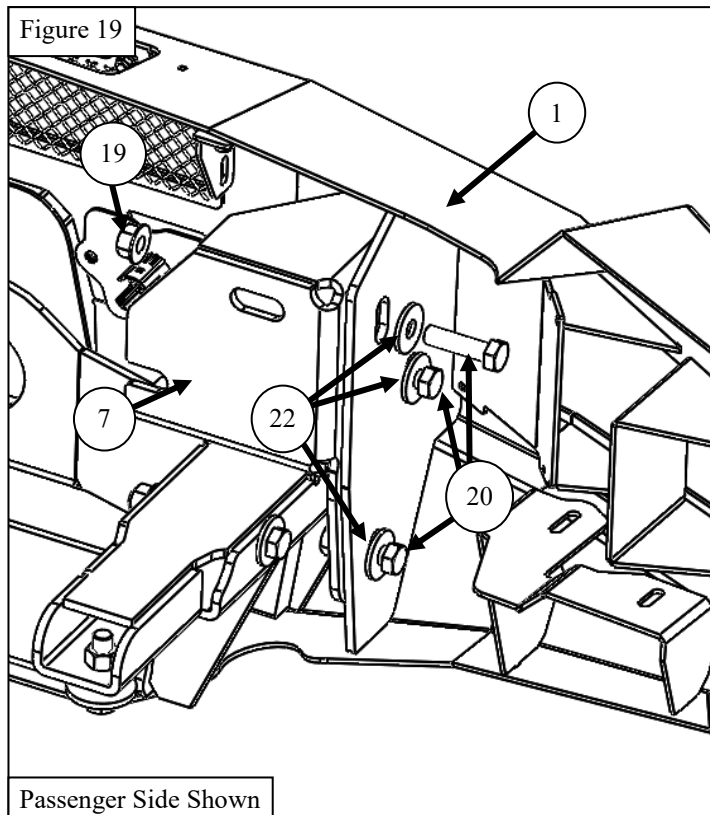
Figure 13



15. If installing a light bar, install the light bar using the supplied LED light brackets (items 4 & 5) and supplied M6 hardware (items 24-26), if applicable. Install light per manufacturers recommendation. See **Figure 16** for reference.
16. If you are **not** installing light bar, install the led light mesh cover using supplied M6 hardware. See **Figure 17** for reference.
17. If installing light pods, install at this time per manufacturers recommendation.



18. With help, install the bumper on to the Main Brackets (items 6 & 7) using the supplied M12 hardware (items 19-20, & 22) See **Figure 18** for reference. **Note:** *If the bumper does not align with the Main Brackets, adjustment may be needed.*
19. Align and adjust the bumper as needed and torque all hardware as specified: M6 to 7 ft. lbs, M8 to 18 ft-lbs, M10 to 35 ft-lbs, M12 to 55-60 ft-lbs.



INSTALLATION COMPLETE



CARE INSTRUCTIONS

- REGULAR WAXING IS RECOMMENDED. DO NOT USE ANY TYPE OF POLISH OR WAX THAT MAY CONTAIN ABRASIVES.
- STAINLESS STEEL PRODUCTS CAN BE CLEANED WITH MILD SOAP AND WATER. STAINLESS STEEL POLISH SHOULD BE USED TO POLISH SMALL SCRATCHES.
- GLOSS BLACK FINISHES SHOULD BE CLEANED WITH MILD SOAP AND WATER.

**WESTIN** Westin Automotive Products, Inc.  
320 W. Covina Blvd  
San Dimas, Ca. 91773

Thank you for choosing Westin products  
for additional installation assistance please call  
Customer Service (800) 793-7846

[www.westinautomotive.com](http://www.westinautomotive.com)

DATE: 04/06/21



## WARNING



Failure to follow these instructions could lead to death, personal injury, and / or property damage.

Failure to follow these instructions could lead to death, personal injury, and / or property damage.

### FASTENERS:

All Westin supplied fasteners must be utilized and installed in accordance with the installation instructions and apply torque to the specifications as defined. **DOUBLE CHECK ALL FASTENERS BEFORE INITIAL USE, AND PERIODICALLY IN THE FUTURE TO ENSURE PROPER FUNCTION AND SAFETY.**

### DRILLING:

Most Westin products do not require drilling for installation. If drilling is defined as required, use caution when drilling a vehicle. **FAILURE TO REVIEW AN AREA TO BE DRILLED MAY RESULT IN PERSONAL INJURY AND/OR INJURY TO OTHERS AS WELL AS VEHICLE DAMAGE.**

### EYE PROTECTION:

**ALWAYS WEAR SAFETY GLASSES OR GOGGLES DURING THE INSTALLATION PROCESS TO AVOID PERSONAL INJURY.**

### MAXIMUM TOWING/CARRYING CAPACITY: (if applicable)

The Westin Receiver Hitches will have a visible tow rating label affixed directly on the product. User should never exceed the vehicle manufacturers maximum tow and weight rating regardless of the capacity of the hitch. **FAILURE TO FOLLOW THESE GUIDELINES WILL VOID THE WESTIN WARRANTY AND MAY RESULT IN PERSONAL INJURY AND/OR INJURY TO OTHERS AS WELL AS VEHICLE DAMAGE.**

### FOR CALIFORNIA RESIDENTS ONLY-PROP 65 WARNING:

Some products may contain chemicals such as DEHP, which can cause cancer, birth defects or other reproductive harm. For more info go to [www.p65warnings.ca.gov](http://www.p65warnings.ca.gov)



Westin Automotive Products, Inc.  
320 W. Covina Blvd  
San Dimas, Ca. 91773