

# INSTALLATION INSTRUCTIONS

## PRO MOD FRONT BUMPER

**APPLICATION:**

2019 Chevrolet Silverado 1500 (Excl. 2019 Silverado LD)

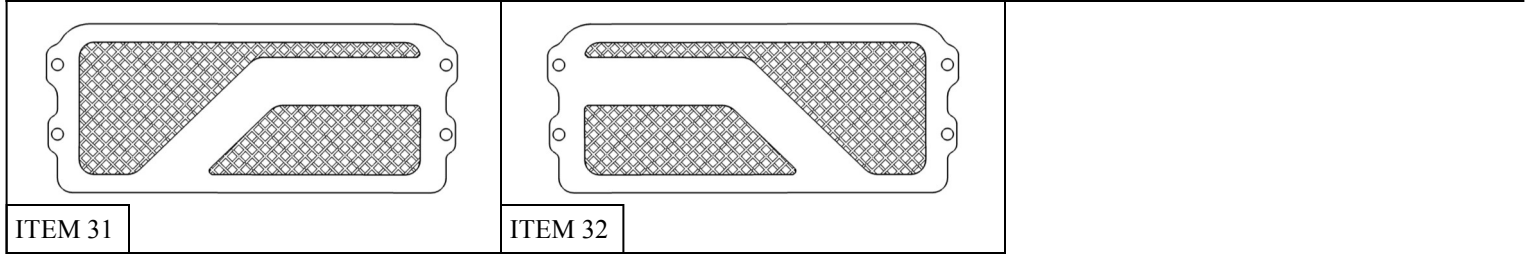
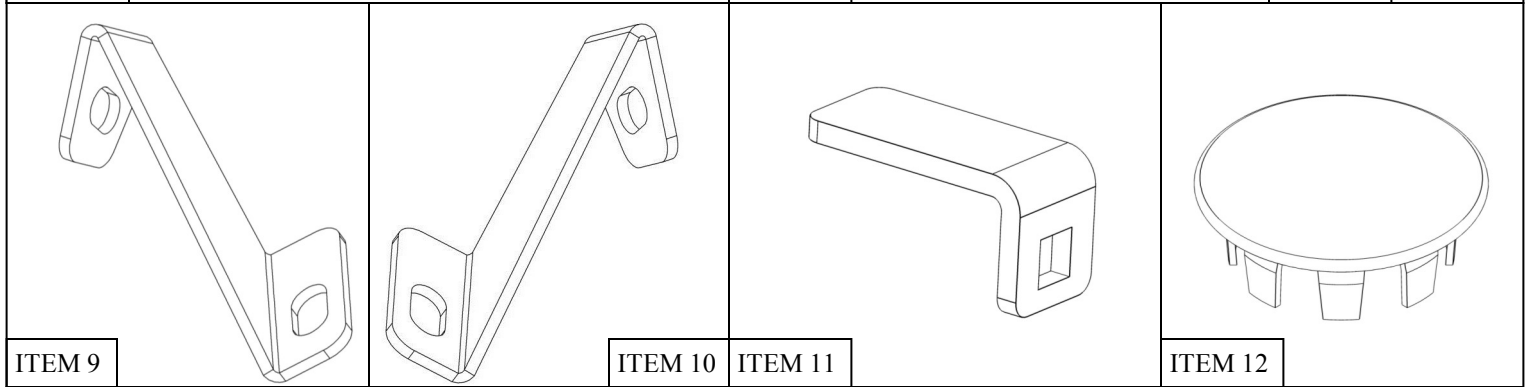
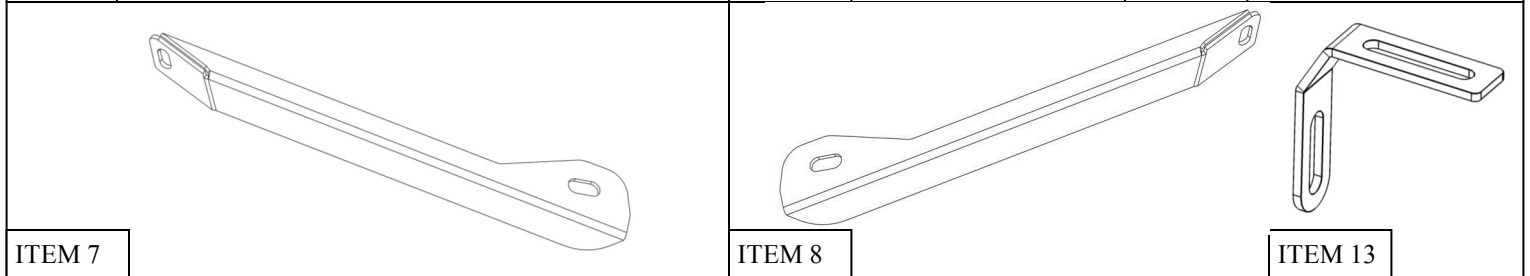
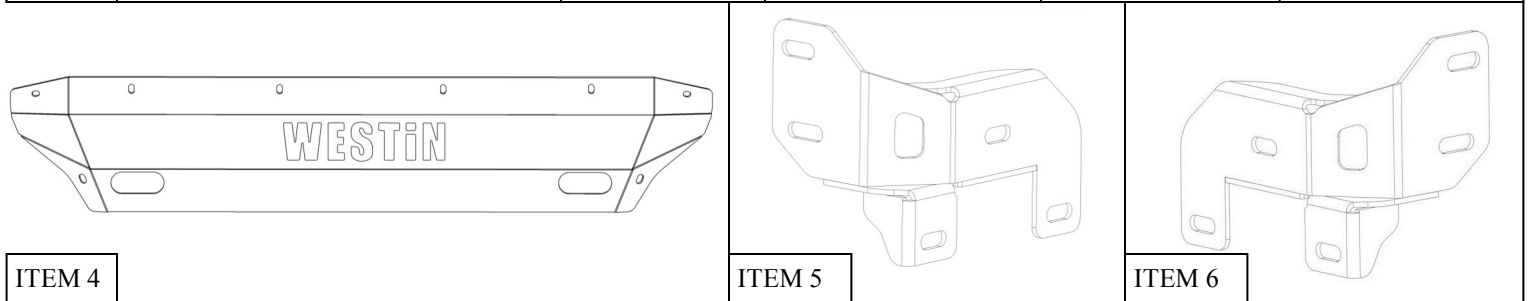
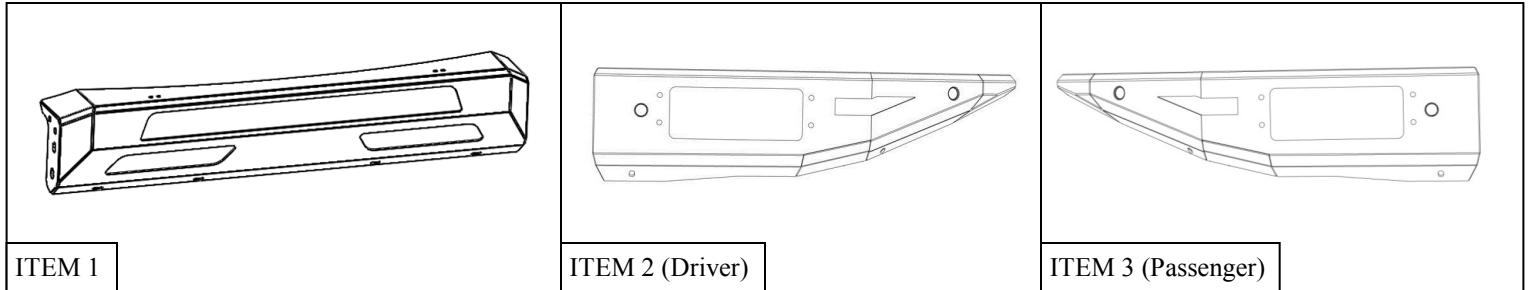
**PART NUMBER:**

58-41215

<b>CONTENT</b>			
<b>ITEM</b>	<b>QUANTITY</b>	<b>DESCRIPTION</b>	<b>TOOLS NEEDED</b>
1	1	CENTER SECTION	18MM SOCKET
2	1	DRIVER POD	18MM WRENCH
3	1	PASSENGER POD	19MM SOCKET
4	1	VALENCE SKID PLATE	19MM WRENCH
5	1	DRIVER MOUNTING BRACKET	10MM SOCKET
6	1	PASSENGER MOUNTING BRACKET	10MM WRENCH
7	1	DRIVER SUPPORT STRAP	15MM SOCKET
8	1	PASSENGER SUPPORT STRAP	RATCHET
9	1	DRIVER SKID VALENCE MOUNTING BRACKET	TORQUE WRENCH
10	1	PASSENGER SKID VALENCE MOUNTING BRACKET	PLIERS
11	4	SENSOR TAB	UTILITY KNIFE
12	4	SENSOR HOLE PLUG	
13	2	LED LIGHT BRACKET	
14	14	M12 FLAT WASHER (YELLOW ZINC)	
15	4	M12 HEX HEAD BOLT (YELLOW ZINC)	
16	4	M12 SERRATED FLANGE NUT (YELLOW ZINC)	
17	10	M10 SERRATED FLANGE NUT (YELLOW ZINC)	
18	4	M10 HEX HEAD BOLT (YELLOW ZINC)	
19	8	M10 FLAT WASHER (YELLOW ZINC)	
20	4	M6 HEX NUT (YELLOW ZINC)	
21	4	M6 SQUARE NECK ROUND HEAD BOLT (YELLOW ZINC)	
22	4	M6 LOCK WASHER (YELLOW ZINC)	
23	4	M6 FLAT WASHER (YELLOW ZINC)	
24	4	M8 U-CLIP (YELLOW ZINC)	
25	2	M8 SERRATED FLANGE NUT (YELLOW ZINC)	
26	12	M6 FLAT WASHER (BLACK ZINC)	
27	12	M6 BUTTON HEAD BOLT (BLACK ZINC)	
28	6	M10 FLAT WASHER (BLACK ZINC)	
29	6	M10 BUTTON HEAD BOLT (BLACK ZINC)	

**ANTI-SEIZE LUBRICANT MUST BE USED ON ALL STAINLESS STEEL FASTENERS TO PREVENT THREAD DAMAGE AND GALLING**

30	6	M8 FLAT WASHER (BLACK ZINC)	
31	6	M8 SPLIT LOCK WASHER (BLACK ZINC)	
32	8	M8 BUTTON HEAD BOLT (BLACK ZINC)	
33	12	M6 SERRATED FLANGE NUT (BLACK ZINC)	
34	12	M6 LOCK WASHER (BLACK ZINC)	
35	2	MESH COVER PLATE (1 PASSENGER, 1 DRIVER)	



**WESTIN** Westin Automotive Products, Inc.  
320 W. Covina Blvd  
San Dimas, Ca. 91773

Thank you for choosing Westin products  
for additional installation assistance please call  
Customer Service (800) 793-7846  
www.westinautomotive.com

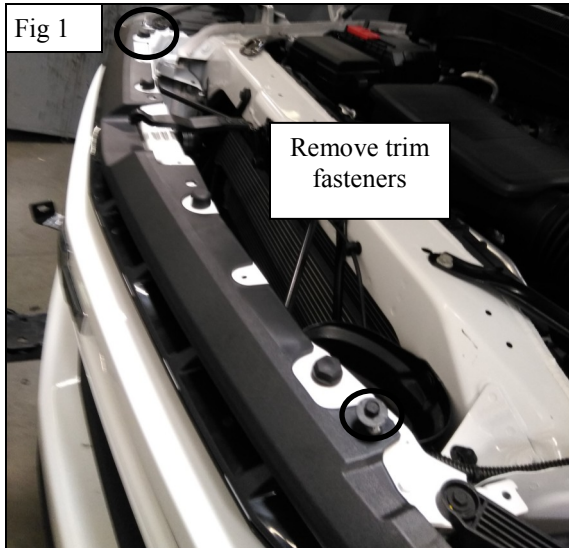
## PROCEDURE

1. Remove contents from box, verify if all parts listed are present and free from damage.

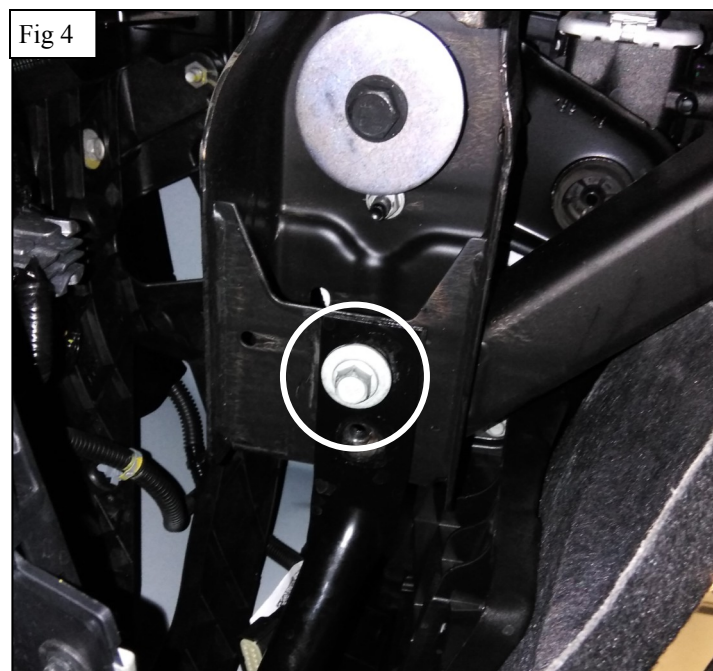
Carefully read and understand all instructions before attempting installation.

**Failure to identify damage before installation could lead to a rejection of any claim.**

2. Begin by removing the plastic trim fasteners holding the grille in place. Also dethatch the clips of the wings of the grille. See **Figures 1 & 2**.
3. Remove the grille by pulling firmly and carefully at the bottom of the grille.



4. Remove the 4 bolts behind the plastic cover securing the bumper to the vehicle. See **Figure 3**.
5. Remove the bolts on the bottom of the frame securing the bumper supports to the vehicle. See **Figure 4**.
6. Unplug any wire connections and remove the bumper.



7. Unbolt the tow hooks (if equipped). They will be re-installed later.
8. The front corner pieces will need to be removed for trimming. Remove the hardware holding on the two brackets circled in **Figure 5**.
9. Remove the screws on the inner fender lining holding on the corner piece.
10. Pull off corner piece assembly.
11. Repeat on the opposite side.

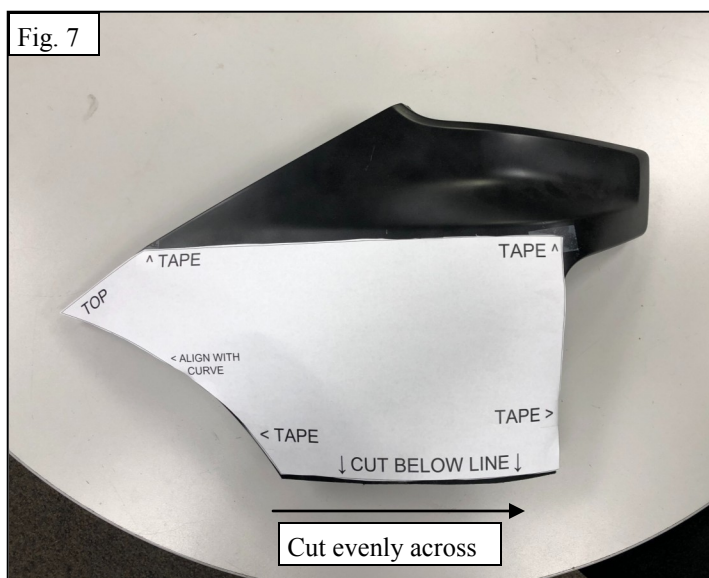
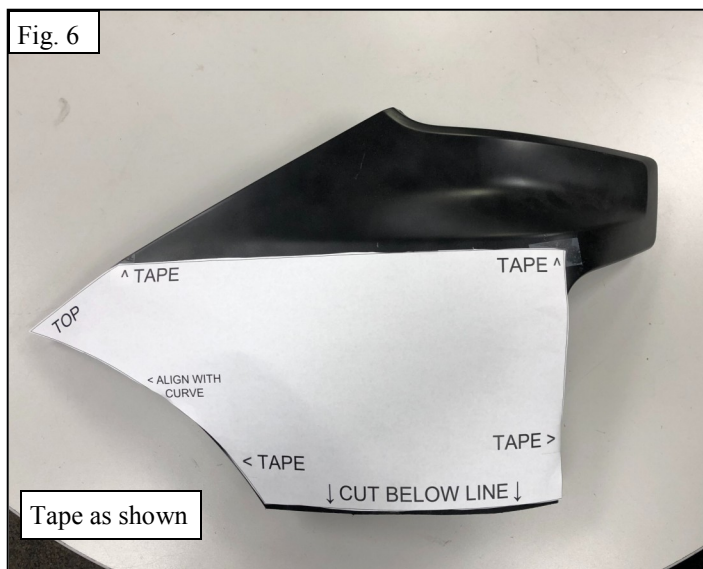


### TRIMMING NEEDED

- Trimming of the factory Front Corner Pieces will be necessary to install the Pro Mod Front Bumper.
- If you would not like to trim the stock Corner Pieces, OE replacement pieces to trim instead (PN Right-84658018, PN Left-84658017) may be purchased separately and installed. **ONLY ONE OPTION IS NEEDED: YOU MAY EITHER TRIM THE OEM PIECE OR PURCHASE A REPLACEMENT TO TRIM INSTEAD.**

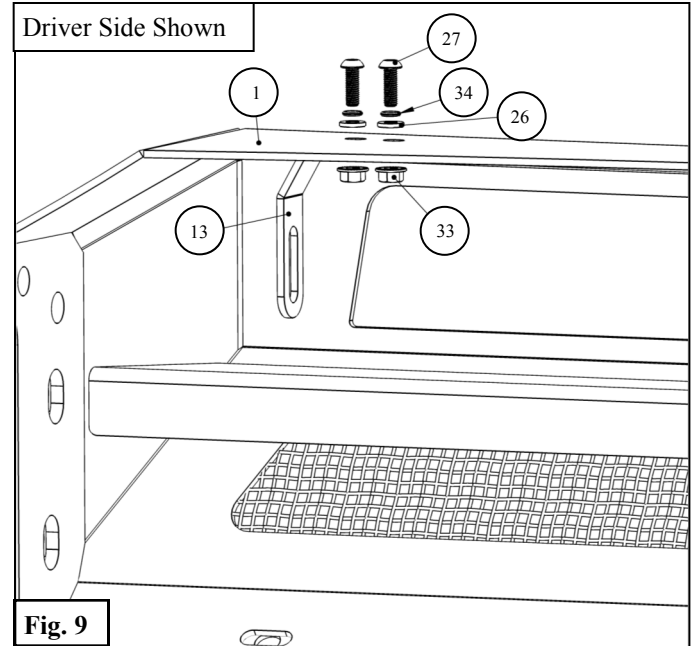
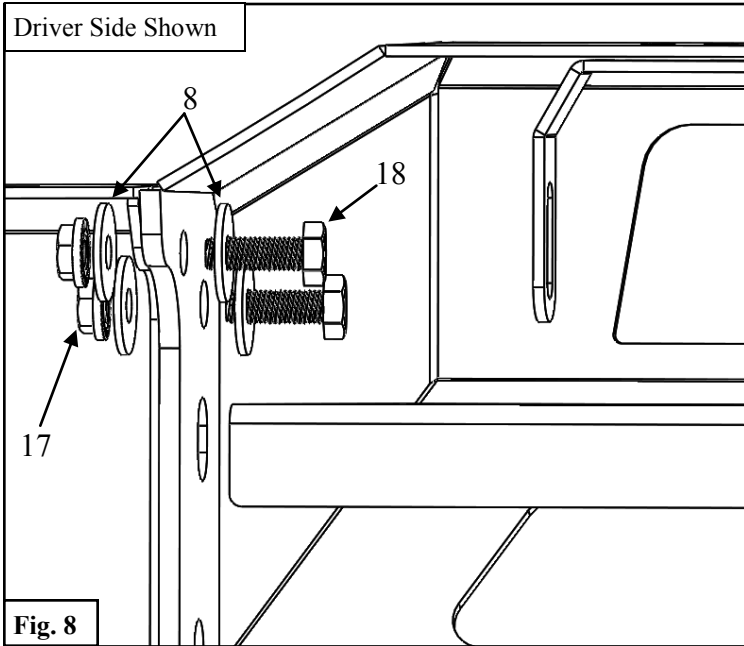
### TRIMMING PROCEDURE

- With the bumper now off, you will take the supplied templates and align them on the front corner pieces. Tape at the specified areas on the template. See **Figure 6**
- Make sure that the template is aligned with the curve and is level across the bottom to ensure a straight cut.
- Using a cutting tool, trim the corner piece below the line as specified on the template. See **Figure 7**
- Repeat the process on the opposite side.
- Reinstall the corner pieces.

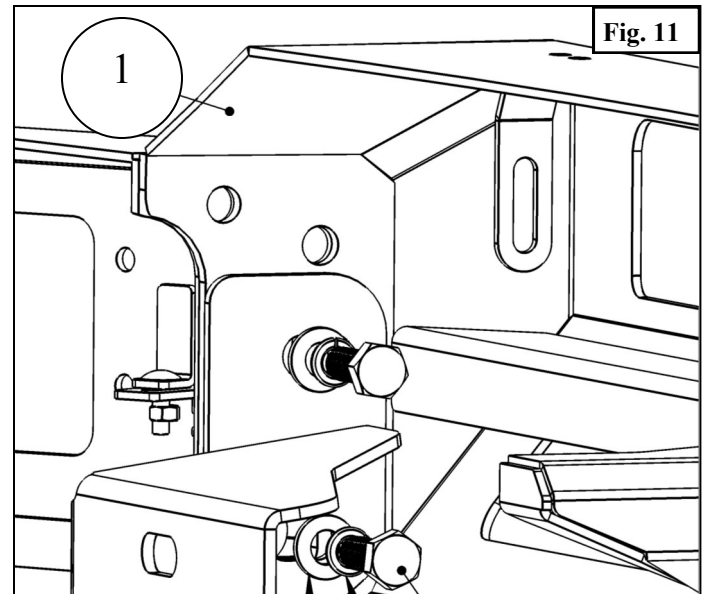
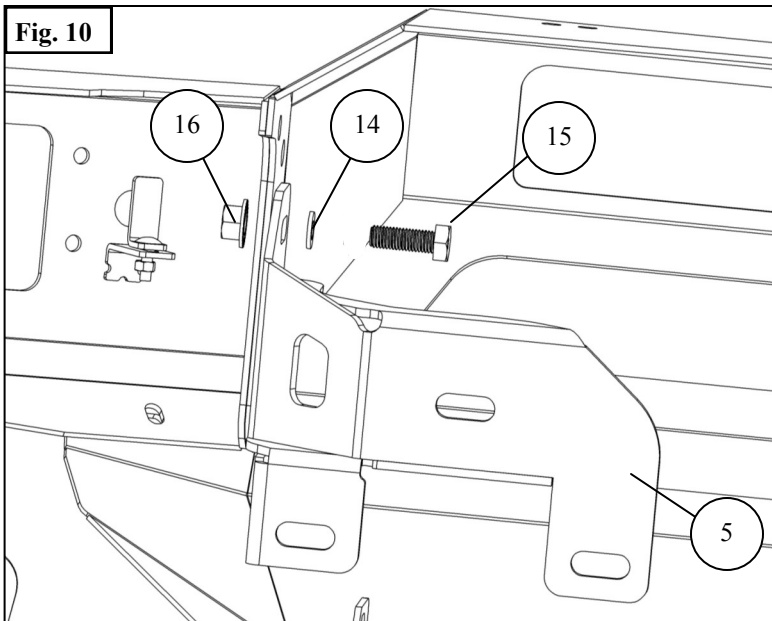


Westin Automotive Products, Inc.  
320 W. Covina Blvd  
San Dimas, Ca. 91773

7. Use the supplied M12 Hardware to attach each Side Pod Assembly (2.3) to the Center Section (1). See **Figure 5**.
8. Use the supplied M6 Hardware to attach the LED Brackets (15) to the center section. See **Figure 6**. *Note: If installing an LED Light Bar (sold separately), install it at this time.*



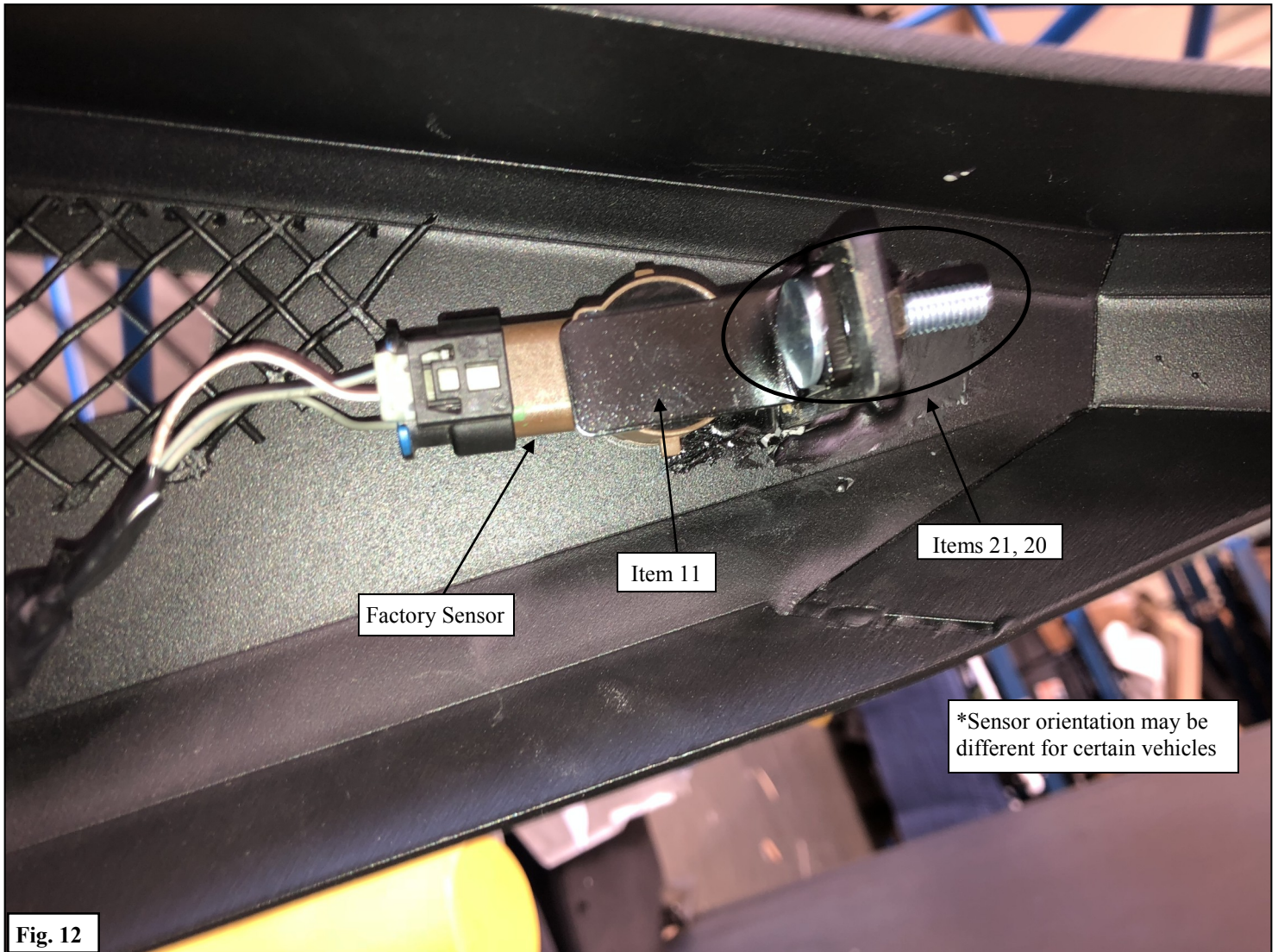
9. Loosely install the bumper assembly to the Mounting Brackets (5,6) using the supplied M12 Hardware. See **Figures 10 & 11**.



## PARKING SENSOR INSTALLATION

**\*If not installing sensors, install Hole Plugs into holes on bumper and proceed**

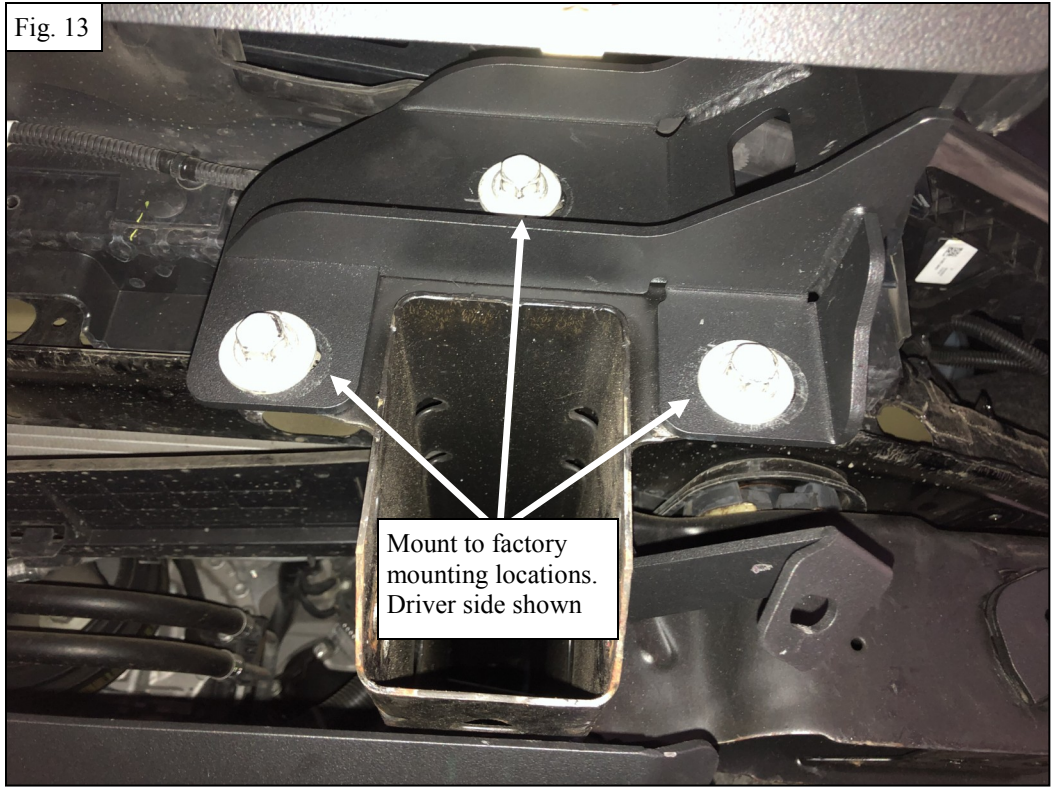
10. Remove the parking sensors from the OEM bumper.
11. Use the Sensor Tab (6) along with the supplied M6 Hardware (21, 20) to install the sensors as shown in **Figure 9**.
12. Make sure to maintain OEM sensor orientation.
13. Handle sensors with care as they are fragile.



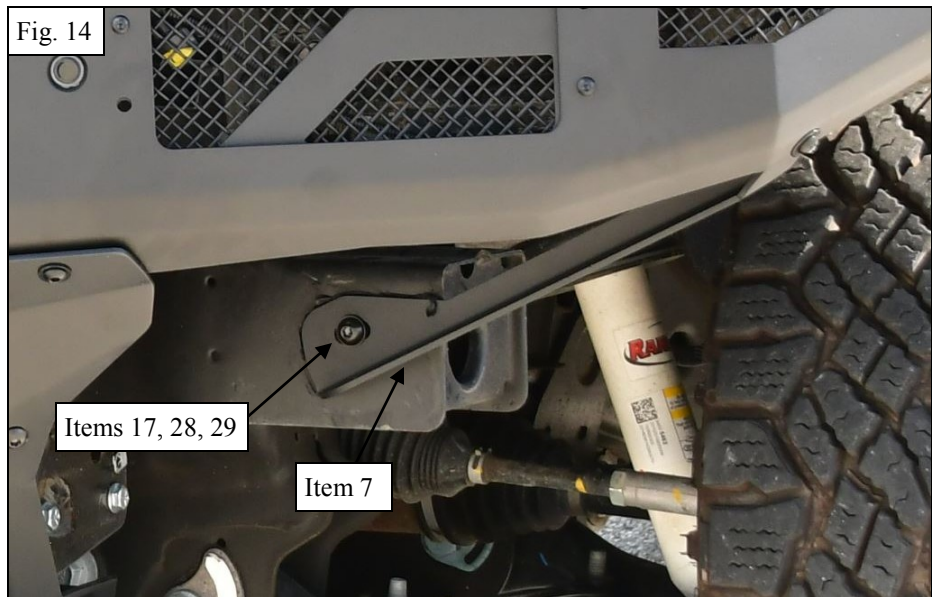
**WESTIN**

Westin Automotive Products, Inc.  
320 W. Covina Blvd  
San Dimas, Ca. 91773

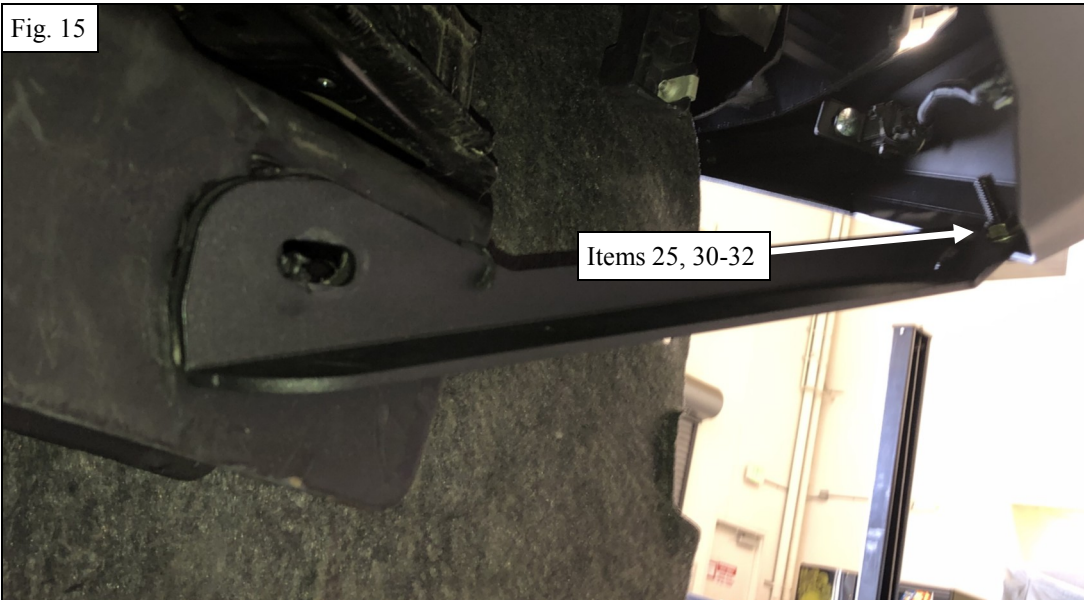
14. Loosely attach the preassembled bumper to the vehicle frame using the Factory Hardware. See **Figure 10**.



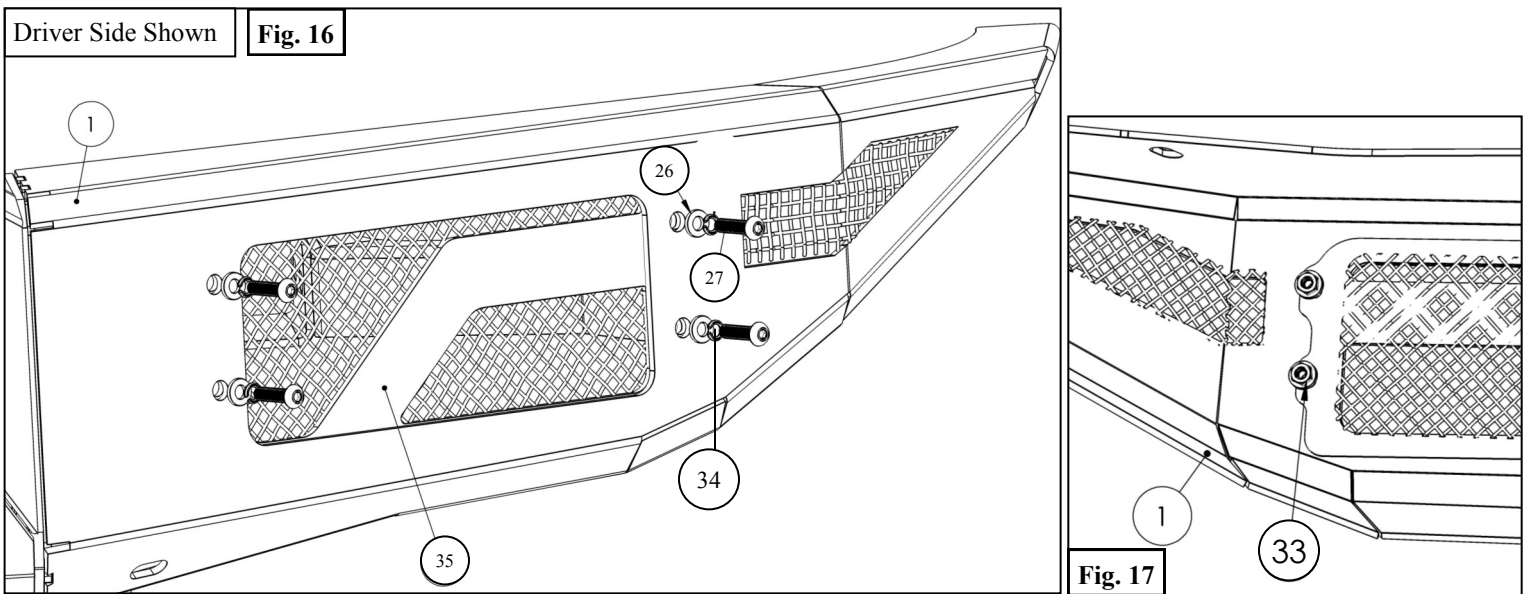
15. Use the supplied M8 and M10 Hardware to secure the Support Straps (16,17) to the bumper. See **Figure 14-15**.



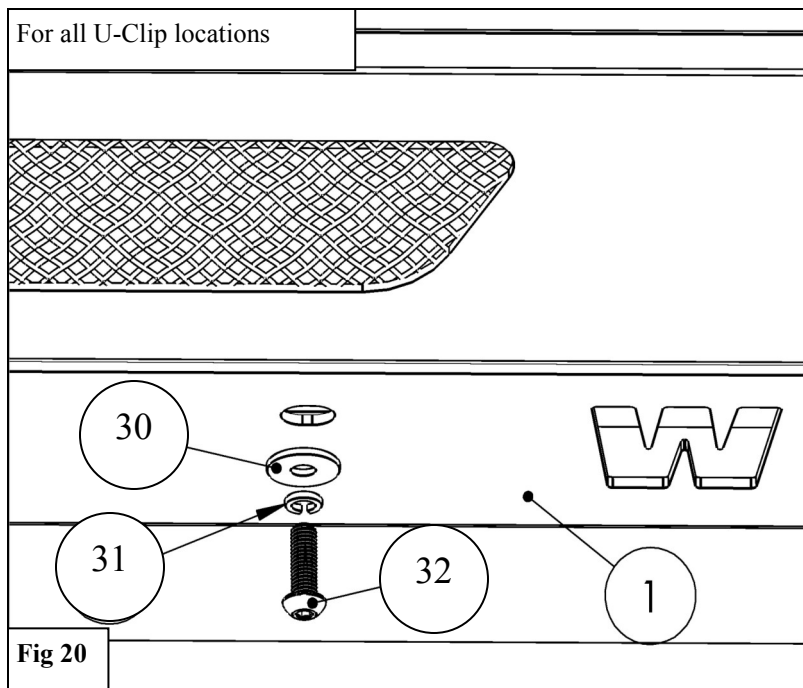
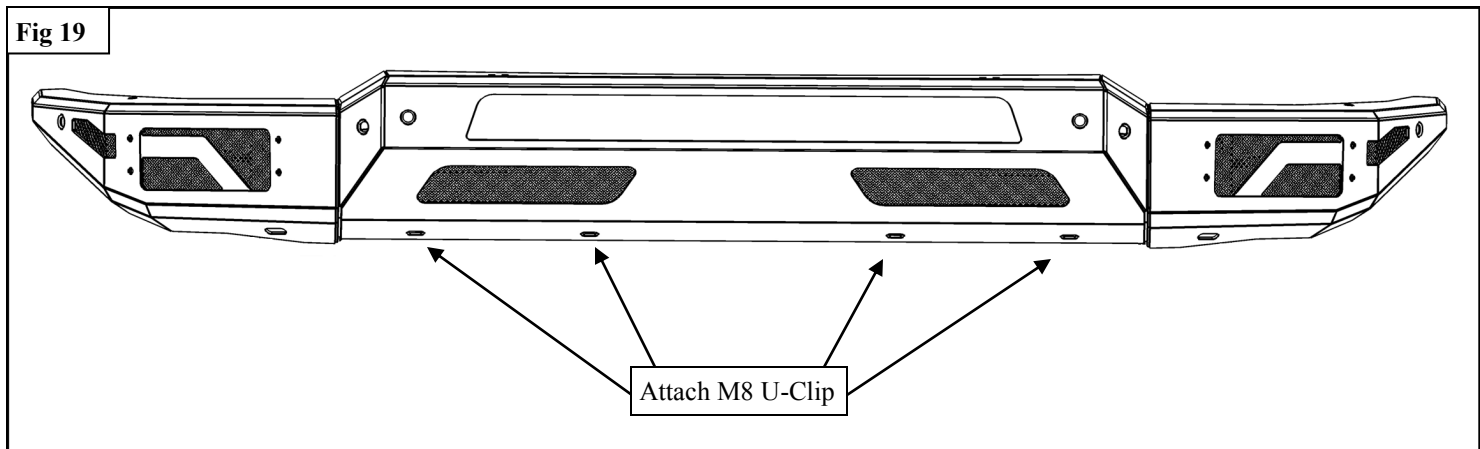
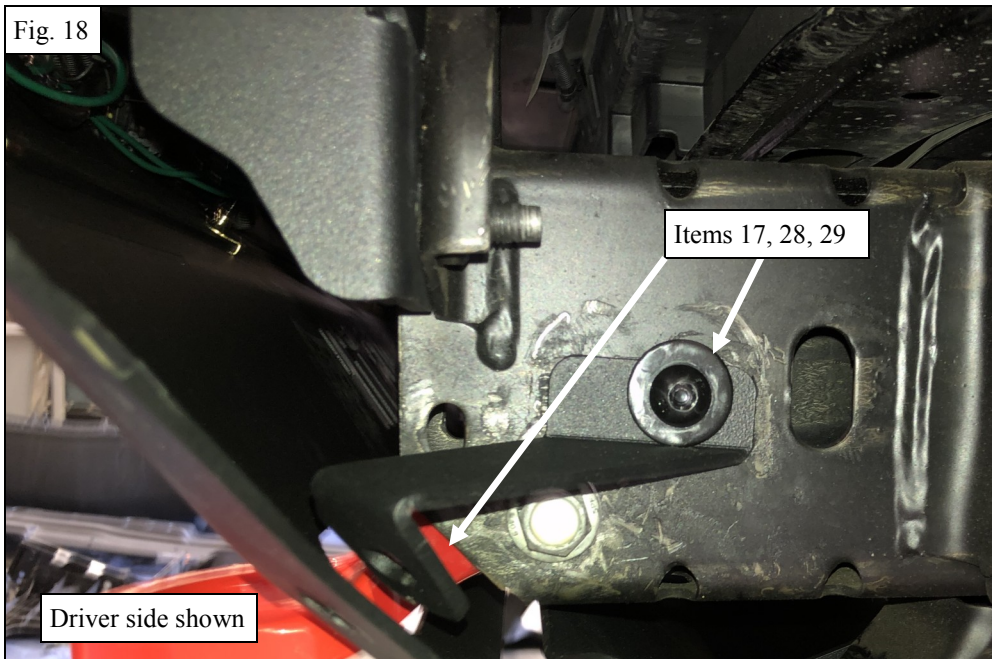




16. Attach the Mesh Side Covers (35) to the Bumper using the supplied M6 Hardware . See **Figures 16 & 17.**



17. Using the supplied hardware and mounting brackets, mount the valence skid plate to the bumper. See **Figure 18.**  
 18. Attach the M8 U-Clips (24) to the Pro-Mod Bumper in the locations shown in **Figure 19.**  
 19. Install the supplied M8 Hardware on to the upper skid. See **Figure 20.**



19. Replace tow hooks with factory hardware.
20. Adjust bumper as needed and torque down all hardware as specified: M6 to 7 ft lbs, M8 to 18 ft lbs, M10 to 38 ft lbs, and M12 to 60 ft lbs.
21. Trim inner fender lining as necessary.

INSTALLATION COMPLETE



Lower Skid plate and light bar sold separately.

#### CARE INSTRUCTIONS

- REGULAR WAXING IS RECOMMENDED. DO NOT USE ANY TYPE OF POLISH OR WAX THAT MAY CONTAIN ABRASIVES.
- STAINLESS STEEL PRODUCTS CAN BE CLEANED WITH MILD SOAP AND WATER. STAINLESS STEEL POLISH SHOULD BE USED TO POLISH SMALL SCRATCHES.
- GLOSS BLACK FINISHES SHOULD BE CLEANED WITH MILD SOAP AND WATER.

**WESTIN** Westin Automotive Products, Inc.  
320 W. Covina Blvd  
San Dimas, Ca. 91773

Thank you for choosing Westin products  
for additional installation assistance please call  
Customer Service (800) 793-7846



## WARNING



Failure to follow these instructions could lead to death, personal injury, and / or property damage.

Failure to follow these instructions could lead to death, personal injury, and / or property damage.

### FASTENERS:

All Westin supplied fasteners must be utilized and installed in accordance with the installation instructions and apply torque to the specifications as defined. **DOUBLE CHECK ALL FASTENERS BEFORE INITIAL USE, AND PERIODICALLY IN THE FUTURE TO ENSURE PROPER FUNCTION AND SAFETY.**

### DRILLING:

Most Westin products do not require drilling for installation. If drilling is defined as required, use caution when drilling a vehicle. **FAILURE TO REVIEW AN AREA TO BE DRILLED MAY RESULT IN PERSONAL INJURY AND/OR INJURY TO OTHERS AS WELL AS VEHICLE DAMAGE.**

### EYE PROTECTION:

**ALWAYS WEAR SAFETY GLASSES OR GOGGLES DURING THE INSTALLATION PROCESS TO AVOID PERSONAL INJURY.**

### MAXIMUM TOWING/CARRYING CAPACITY: (if applicable)

The Westin Receiver Hitches will have a visible tow rating label affixed directly on the product. User should never exceed the vehicle manufacturers maximum tow and weight rating regardless of the capacity of the hitch. **FAILURE TO FOLLOW THESE GUIDELINES WILL VOID THE WESTIN WARRANTY AND MAY RESULT IN PERSONAL INJURY AND/OR INJURY TO OTHERS AS WELL AS VEHICLE DAMAGE.**

### FOR CALIFORNIA RESIDENTS ONLY-PROP 65 WARNING:

Some products may contain chemicals such as DEHP, which can cause cancer, birth defects or other reproductive harm. For more info go to [www.p65warnings.ca.gov](http://www.p65warnings.ca.gov)



Westin Automotive Products, Inc.  
320 W. Covina Blvd  
San Dimas, Ca. 91773