

INSTALLATION INSTRUCTIONS

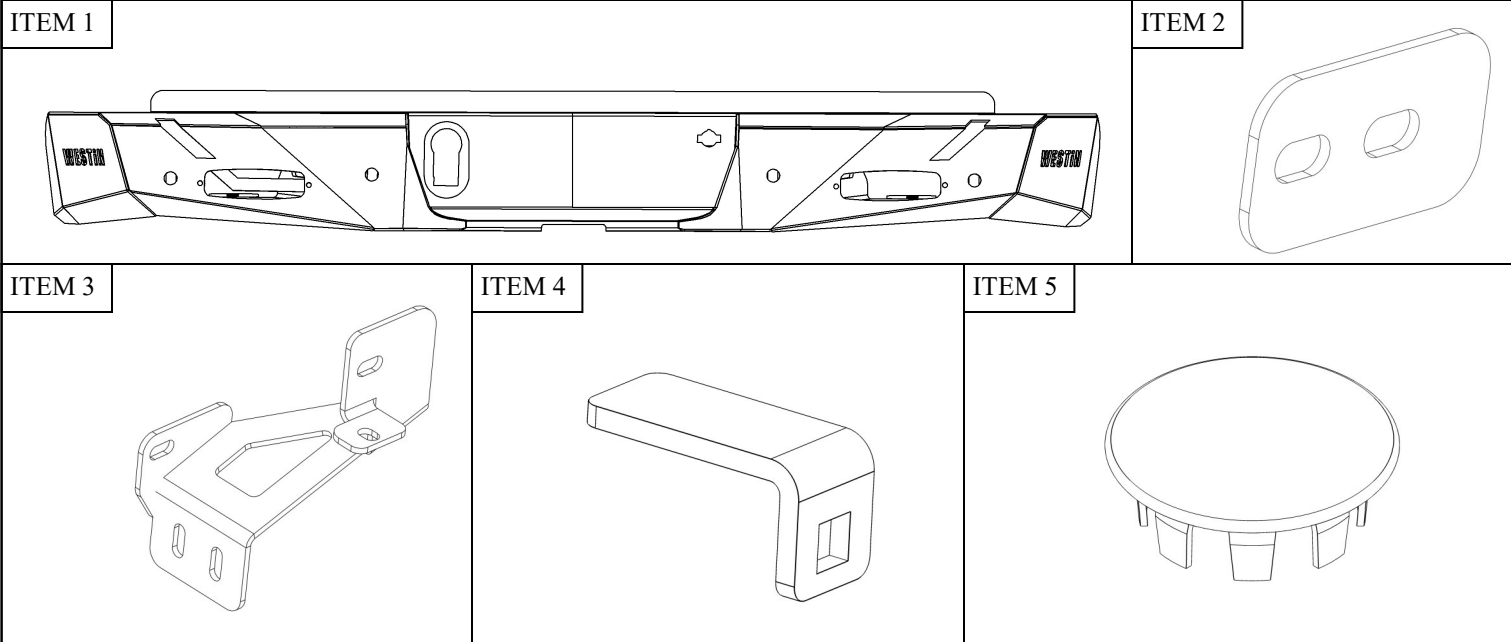
PRO SERIES REAR BUMPER



APPLICATION:
2019-2021 FORD RANGER
PART NUMBER:
58-421085

| CONTENT | | | |
|---------|----------|-------------------------------------|---------------|
| ITEM | QUANTITY | DESCRIPTION | TOOLS NEEDED |
| 1 | 1 | REAR BUMPER | 10MM SOCKET |
| 2 | 1 | DRIVER MONTING BRACKET | 10MM WRENCH |
| 3 | 1 | PASSENGER MOUNTING BRACKET | 19MM SOCKET |
| 4 | 4 | SENSOR L-TAB | 19MM WRENCH |
| 5 | 4 | SENSOR HOLE PLUG | TRIM TOOL |
| 6 | 2 | HITCH SPACER | RATCHET |
| 7 | 4 | M12 SPLIT LOCK WASHER (YELLOW ZINC) | TORQUE WRENCH |
| 8 | 4 | M12 FLAT WASHER (YELLOW ZINC) | |
| 9 | 8 | M12 FLANGE BOLT (YELLOW ZINC) | |
| 10 | 4 | M12 HEX NUT (YELLOW ZINC) | |
| 11 | 4 | M6 FLAT WASHER (YELLOW ZINC) | |
| 12 | 4 | M6 HEX NUT (YELLOW ZINC) | |
| 13 | 4 | M6 CARRIAGE BOLT | |
| 14 | 4 | M6 SPLIT LOCK WASHER (YELLOW ZINC) | |
| 15 | 2 | M8 FLANGE BOLT (YELLOW ZINC) | |
| 16 | 2 | M8 HEX NUT (YELLOW ZINC) | |
| 17 | 2 | M8 FLAT WASHER (YELLOW ZINC) | |
| 18 | 2 | M8 SPLIT LOCK WASHER (YELLOW ZINC) | |
| 19 | 6 | M6 BUTTON HEAD BOLT (BLACK ZINC) | |
| 20 | 6 | M6 SERRATED FLANGE NUT (BLACK ZINC) | |
| 21 | 6 | M6 FLAT WASHERS (BLACK ZINC) | |

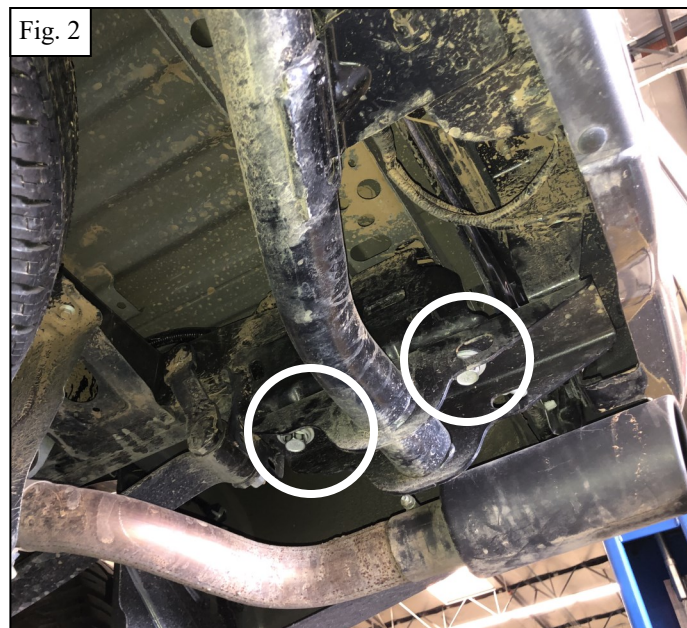
ANTI-SEIZE LUBRICANT MUST BE USED ON ALL STAINLESS STEEL FASTENERS TO PREVENT THREAD DAMAGE AND GALLING



PROCEDURE

1. Remove contents from box, verify if all parts listed are present and free from damage. Carefully read and understand all instructions before attempting installation. **Failure to identify damage before installation could lead to a rejection of any claim.**

2. Unbolt the factory hitch if equipped.
3. Remove all electrical connections from the rear bumper.
4. Remove the two bolts on each side of the rear bumper/hitch. See **Figure 1-2**
5. Remove the rear bumper.



PARKING SENSOR INSTALLATION

***If not installing sensors, install Hole Plugs into holes on bumper and proceed.**

6. Remove the parking sensors from the OEM bumper. Pay attention to the orientation of the sensors. They must be installed in the same orientation. Handle sensors with care, they are very delicate .
7. Use the Sensor Tab (4) along with the supplied M6 Hardware (11-14) to install the sensors as shown in **Figure 3-5**.
8. Carefully route the harness around the bumper.

Note: Zip ties or double sided tape can be used to route harness and to hold the sensor in position.

Fig. 3

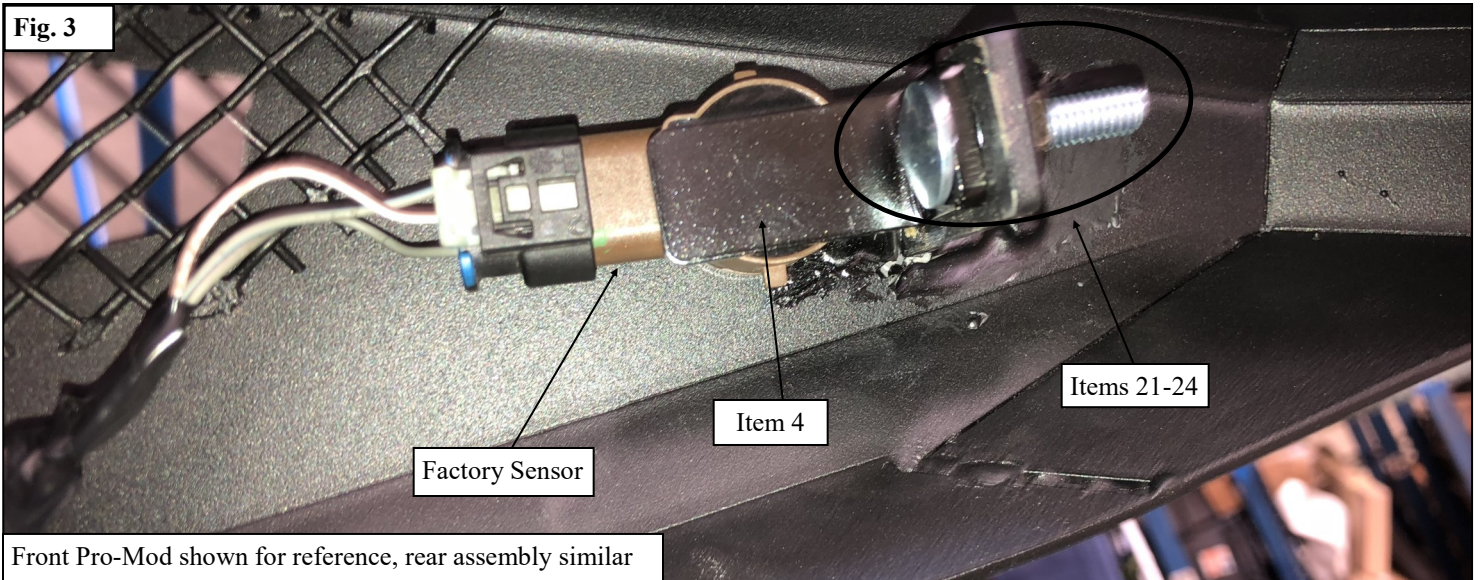


Fig. 4

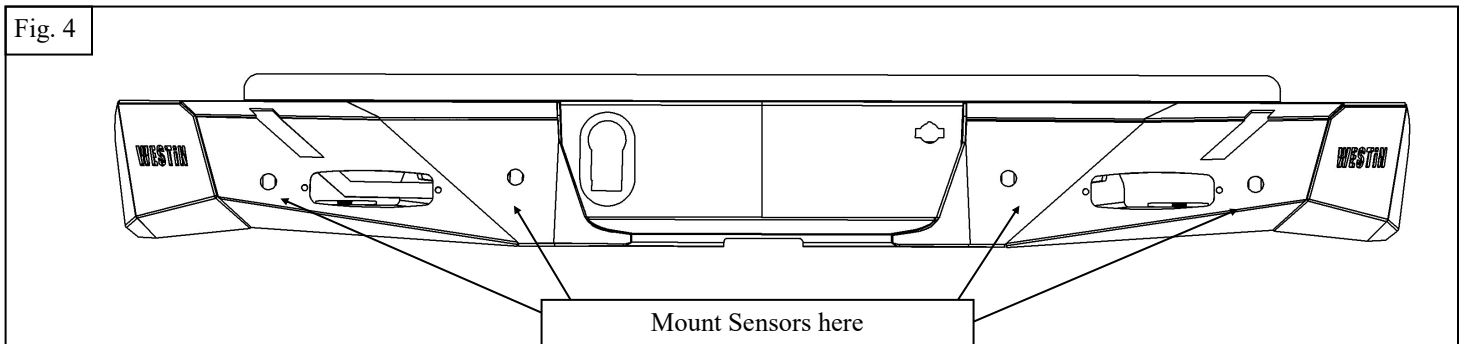
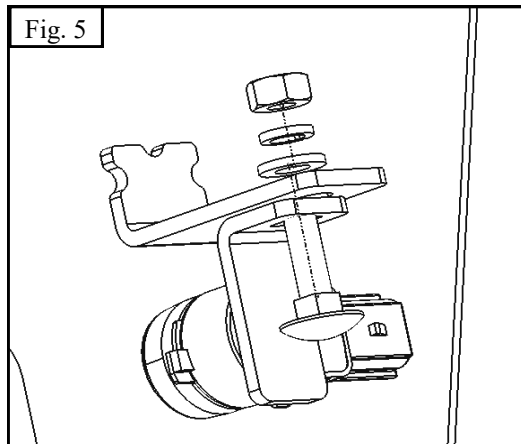


Fig. 5



9. Remove the hitch/support from the OEM bumper. You must **carefully** bend two tabs on the factory hitch in order for the new bumper to fit. Use either a pair of vise grips or a hammer to bend See **Figures 5 and 6 for reference** Reinstall it on the truck.

Figure 5

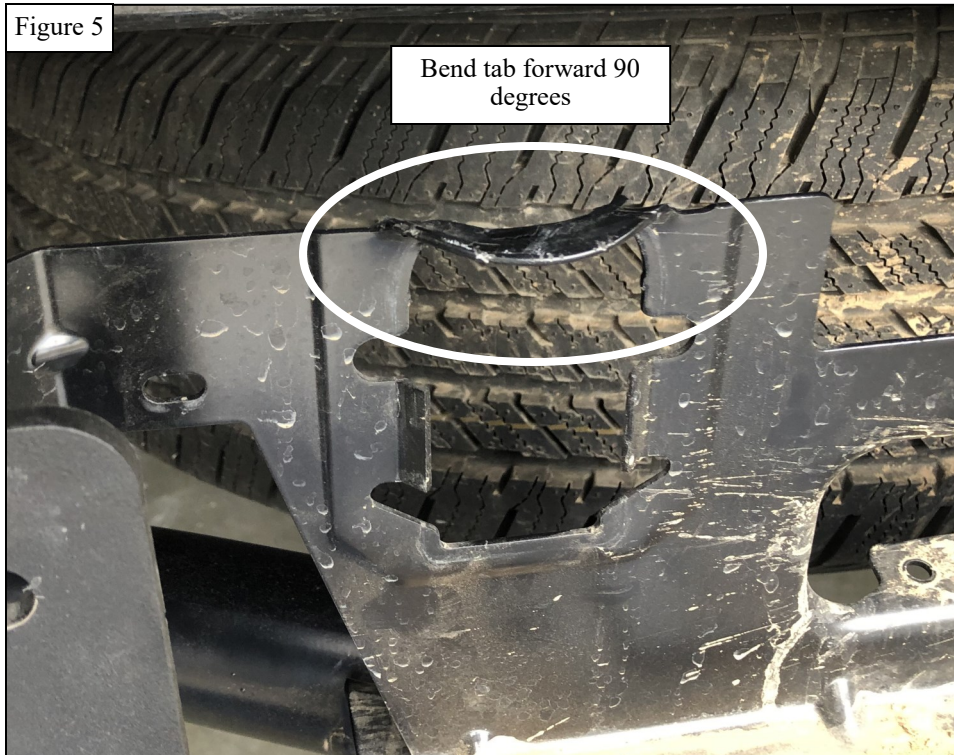
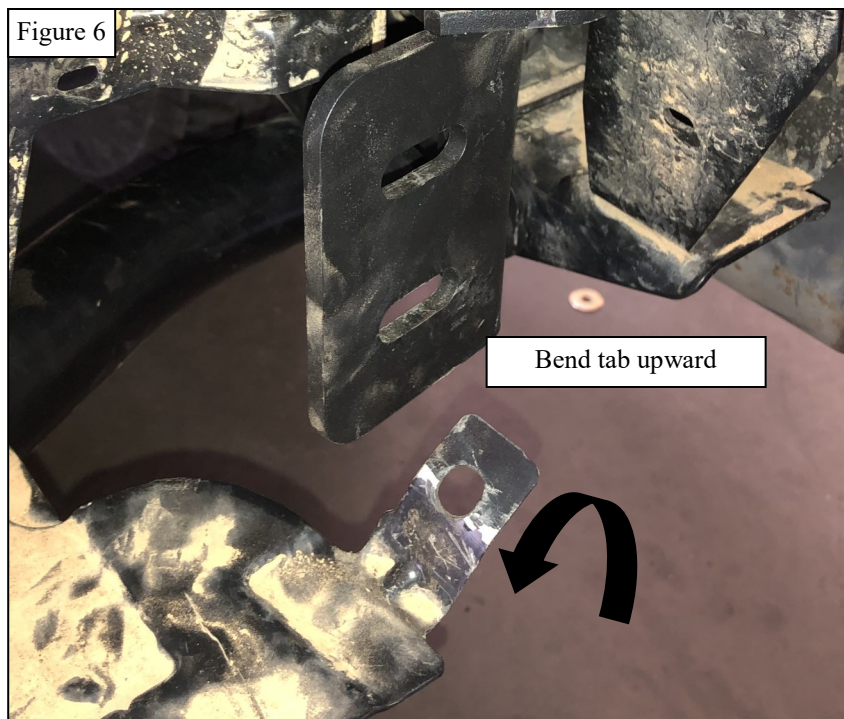
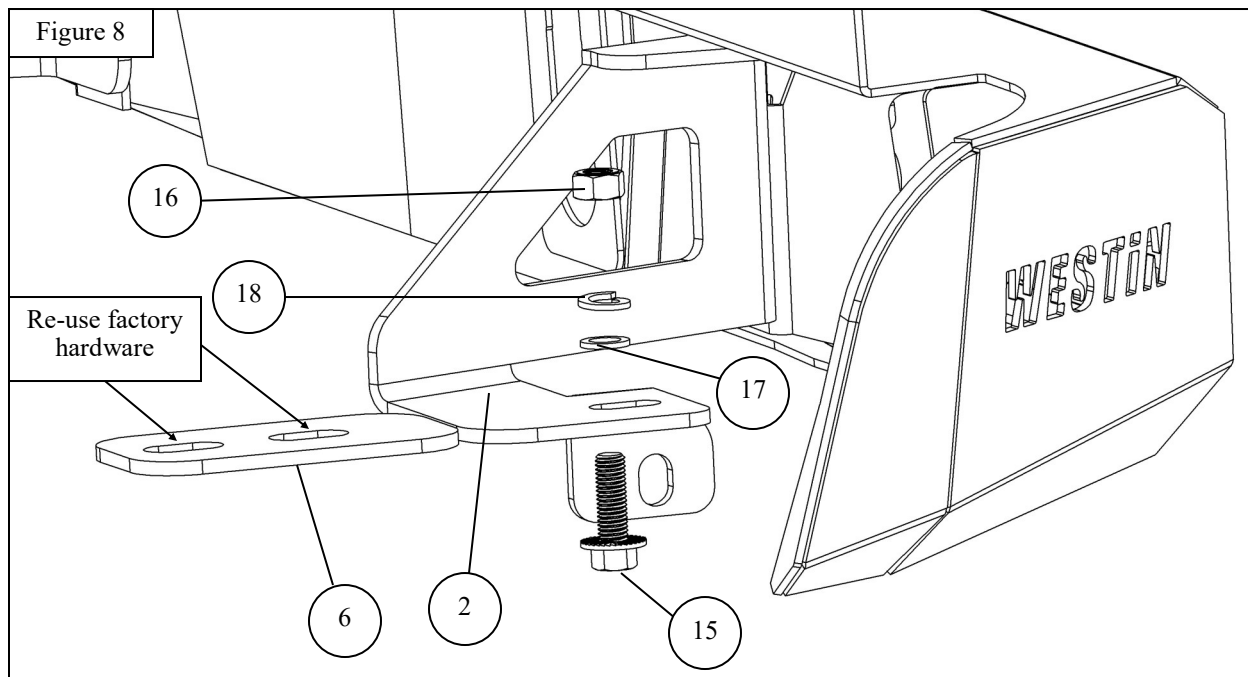
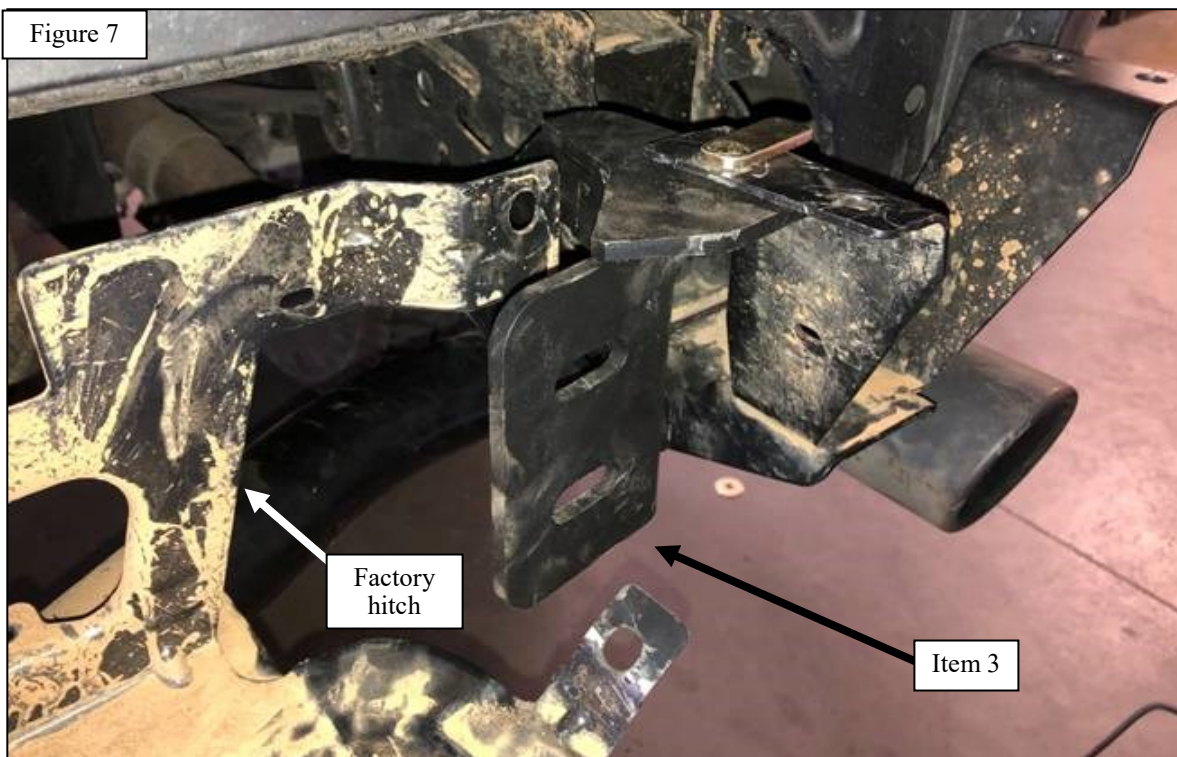


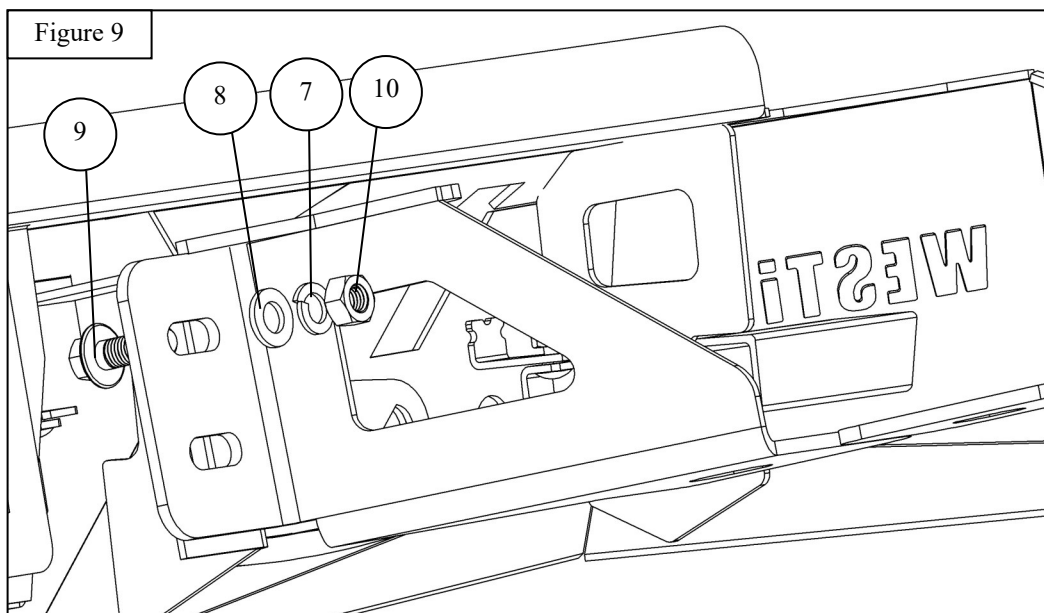
Figure 6



10. Using supplied M8 hardware, loosely assemble the bumper mounting bracket to the underside of the frame of the truck.
Note: You must install the bracket under the OEM bumper support bracket in order for the new bumper to fit. See Figure 7



12. Using supplied M12 hardware, install the bumper to the mounting brackets. See **Figure 9**



13. Install the Trailer plug and license plate, and accessory lights at this time (Black M6 hardware is provided torque to 7 ft.-lbs).

WARNING .

After you have mounted bumper on main brackets. CAREFULLY open tailgate. While tailgate is open, adjust the height of the bumper so that it has about 3/8" of clearance with respect to the tailgate. Torque M12 to 50-55 ft-lbs. and M8 to 15-18 ft-lbs



Westin Automotive Products, Inc.
320 W. Covina Blvd
San Dimas, Ca. 91773

License plate lights installation.

1. Disconnect the battery from your vehicle.
 2. Locate the license plate lights (pre-installed) in the bumper. Pop out the lights by squeezing the clips in on the backside. **See Figure 10**
 3. Locate the factory wiring for the license plate lights. Strip back the wiring on the factory harness and supplied light. Using connectors, crimp the red wire on the positive factory wire and the black wire to the factory ground wire. **See Figure 11**
- Note: Only the portion shown on **Figure 12** will be needed from the connector.

Figure 10

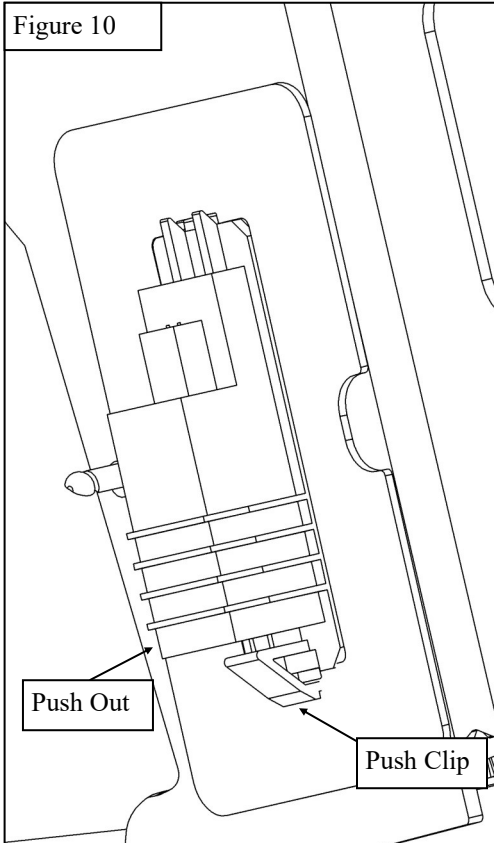
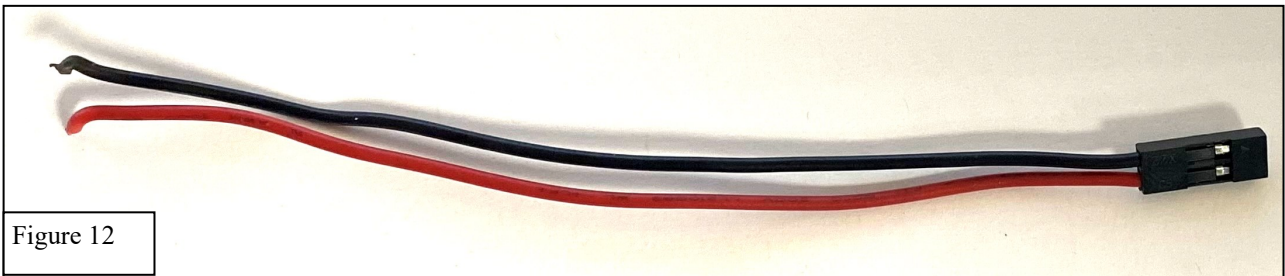


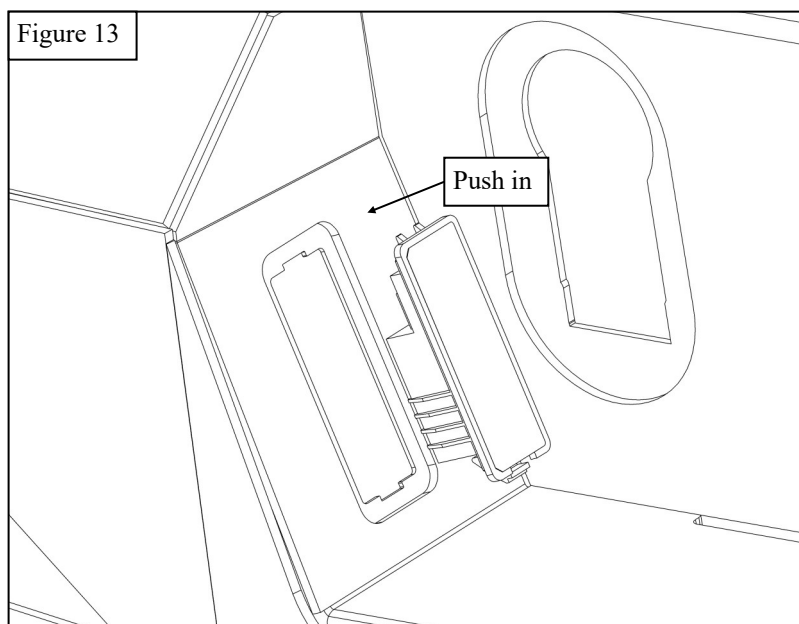
Figure 11



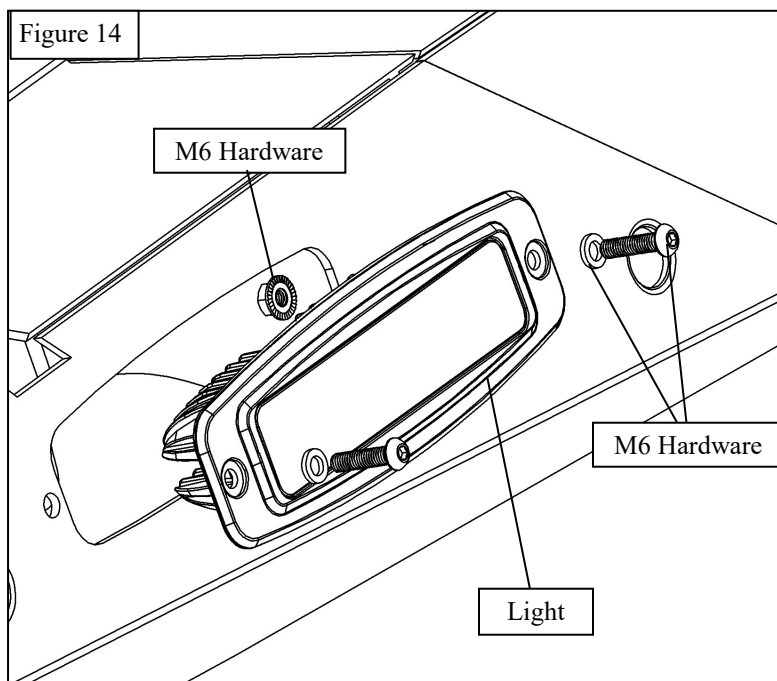
Figure 12



4. Push the light back in until it clips into place. Repeat on the opposite side. **See Figure 13**



5. If you are installing the optional reverse lights, remove the mesh covers and install the optional lights with the M6 hardware. **See Figure 14**
6. Locate the factory wiring for the reverse lights. Strip back the wiring on the factory harness and supplied light. Using connectors, crimp the red wire on the positive factory wire and the black wire to the factory ground wire.
7. Reconnect your battery.



INSTALL COMPLETE



CARE INSTRUCTIONS

- REGULAR WAXING IS RECOMMENDED. DO NOT USE ANY TYPE OF POLISH OR WAX THAT MAY CONTAIN ABRASIVES.
- STAINLESS STEEL PRODUCTS CAN BE CLEANED WITH MILD SOAP AND WATER. STAINLESS STEEL POLISH SHOULD BE USED TO POLISH SMALL SCRATCHES.
- GLOSS BLACK FINISHES SHOULD BE CLEANED WITH MILD SOAP AND WATER.

WESTIN Westin Automotive Products, Inc.
320 W. Covina Blvd
San Dimas, Ca. 91773

Thank you for choosing Westin products
for additional installation assistance please call
Customer Service (800) 793-7846
www.westinautomotive.com



WARNING



Failure to follow these instructions could lead to death, personal injury, and / or property damage.

Failure to follow these instructions could lead to death, personal injury, and / or property damage.

FASTENERS:

All Westin supplied fasteners must be utilized and installed in accordance with the installation instructions and apply torque to the specifications as defined. **DOUBLE CHECK ALL FASTENERS BEFORE INITIAL USE, AND PERIODICALLY IN THE FUTURE TO ENSURE PROPER FUNCTION AND SAFETY.**

DRILLING:

Most Westin products do not require drilling for installation. If drilling is defined as required, use caution when drilling a vehicle. **FAILURE TO REVIEW AN AREA TO BE DRILLED MAY RESULT IN PERSONAL INJURY AND/OR INJURY TO OTHERS AS WELL AS VEHICLE DAMAGE.**

EYE PROTECTION:

ALWAYS WEAR SAFETY GLASSES OR GOGGLES DURING THE INSTALLATION PROCESS TO AVOID PERSONAL INJURY.

MAXIMUM TOWING/CARRYING CAPACITY: (if applicable)

The Westin Receiver Hitches will have a visible tow rating label affixed directly on the product. User should never exceed the vehicle manufacturers maximum tow and weight rating regardless of the capacity of the hitch. **FAILURE TO FOLLOW THESE GUIDELINES WILL VOID THE WESTIN WARRANTY AND MAY RESULT IN PERSONAL INJURY AND/OR INJURY TO OTHERS AS WELL AS VEHICLE DAMAGE.**

FOR CALIFORNIA RESIDENTS ONLY-PROP 65 WARNING:

Some products may contain chemicals such as DEHP, which can cause cancer, birth defects or other reproductive harm. For more info go to www.p65warnings.ca.gov



Westin Automotive Products, Inc.
320 W. Covina Blvd
San Dimas, Ca. 91773