



# INSTALLATION INSTRUCTIONS

## OUTLAW REAR BUMPER

### APPLICATION:

2019 Dodge Ram 1500 . (Excludes Classic)

### PART NUMBER:

58-81075

CONTENT			
ITEM	QUANTITY	DESCRIPTION	TOOLS NEEDED
1	1	REAR BUMPER	18MM WRENCH
2	6	SENSOR L-TAB	5MM ALLEN
3	1	TRAILER CONNECTOR BRACKET	13MM SOCKET
4	1	LICENSE PLATE SWING MOUNT	17MM SOCKET
5,6	2	FRAME BRACKET, DRIVER (5) AND PASSENGER (6)	19MM SOCKET
7	2	LED CUTOFF MESH COVER	13MM WRENCH
8	4	M14 HEX NUT (YELLOW ZINC)	17MM WRENCH
9	8	M14 FLAT WASHER (BLACK ZINC)	19MM WRENCH
10	8	M14 SPLIT LOCK WASHER (BLACK ZINC)	10MM SOCKET
11	6	M12 HEX HEAD BOLT (YELLOW ZINC)	10MM WRENCH
12	6	M12 HEX NUT (YELLOW ZINC)	PLYER TOOL
13	12	M12 FLAT WASHER (YELLOW ZINC)	RATCHET
14	6	M12 SPLIT LOCK WASHER (YELLOW ZINC)	TORQUE WRENCH
15	6	M6 CARRIAGE BOLT (BLACK ZINC)	ELECTRICAL TAPE
16	6	M6 SPLIT LOCK WASHER (BLACK ZINC)	
17	6	M6 FLAT WASHER (BLACK ZINC)	
18	6	M6 HEX NUT (BLACK ZINC)	
19	2	M8 CARRIAGE BOLT (BLACK ZINC)	
20	2	M8 HEX NUT (BLACK ZINC)	
21	2	M8 FLAT WASHER (BLACK ZINC)	
22	2	M8 SPLIT LOCK WASHER (BLACK ZINC)	
23	10	ZIP TIE (PLASTIC)	
24	10	ZIP TIE ADHESIVE SQUARE MOUNT (PLASTIC)	
25	2	T-TAB CONNECTOR MALE (PLASTIC)	
26	2	T-TAB CONNECTOR FEMALE (PLASTIC)	
27	5	M6 SEMS BUTTON HEAD HARDWARE	
28	2	M5 HEX BOLT , SPLIT LOCK WASHER AND HEX NUT	
29	4	M5 FLAT WASHER	
30	8	DOUBLE SIDED TAPE SQUARES	

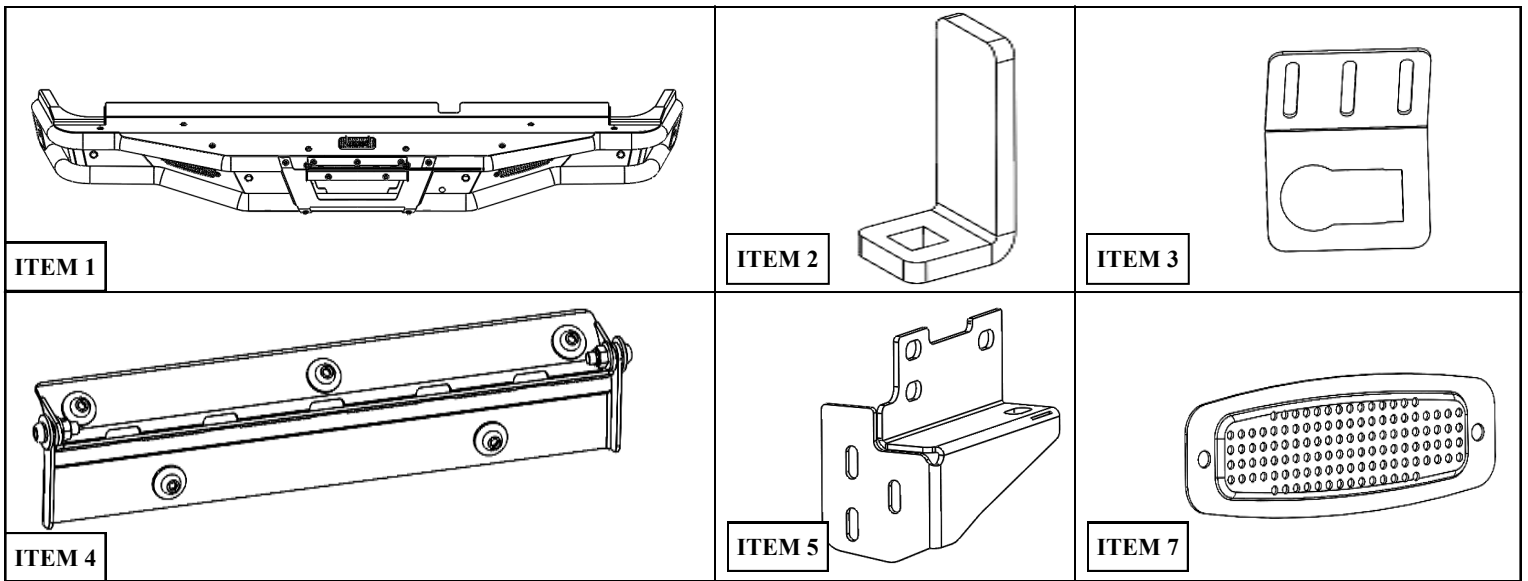
**ANTI-SEIZE LUBRICANT MUST BE USED ON ALL STAINLESS STEEL FASTENERS TO PREVENT THREAD DAMAGE AND GALLING**

### CARE INSTRUCTIONS

- REGULAR WAXING IS RECOMMENDED. DO NOT USE ANY TYPE OF POLISH OR WAX THAT MAY CONTAIN ABRASIVES.
- STAINLESS STEEL PRODUCTS CAN BE CLEANED WITH MILD SOAP AND WATER. STAINLESS STEEL POLISH SHOULD BE USED TO POLISH SMALL SCRATCHES.
- GLOSS BLACK FINISHES SHOULD BE CLEANED WITH MILD SOAP AND WATER.

**WESTIN** Westin Automotive Products, Inc.  
320 W. Covina Blvd  
San Dimas, Ca. 91773

Thank you for choosing Westin products  
for additional installation assistance please call  
Customer Service (800) 793-7846

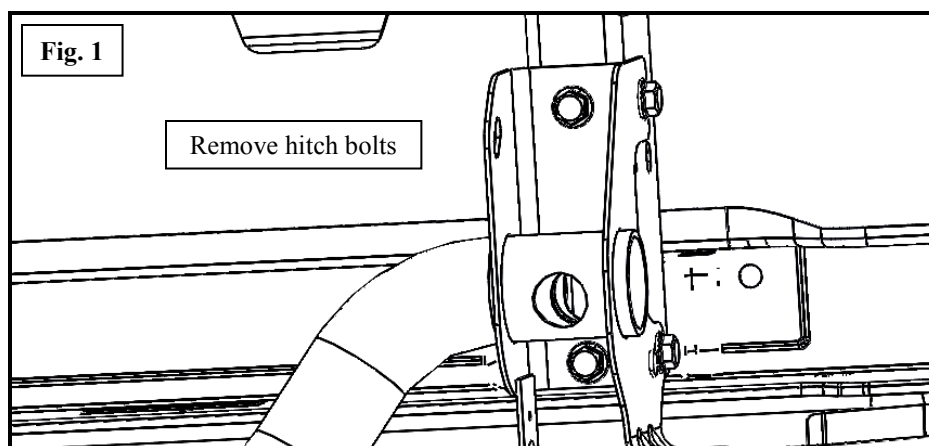


### PROCEDURE

1. Remove contents from box, verify if all parts listed are present and free from damage.  
Carefully read and understand all instructions before attempting installation.  
**Failure to identify damage before installation could lead to a rejection of any claim.**
2. Disconnect license plate lights, trailer connector and park assist sensors so that bumper assembly can be removed.
3. Using a 21mm wrench remove the bolts fastening the OEM hitch to the frame. (4 on each side) **See Figure 1.**

### NOTE:

**THIS BUMPER IS NOT COMPATIBLE WITH OEM HITCH. HITCH 58-81075H IS AVAILABLE TO REPLACE OEM HITCH AND WORK WITH THIS BUMPER. FOR MORE INFORMATION PLEASE REFER TO [WWW.WESTINAUTOMOTIVE.COM](http://WWW.WESTINAUTOMOTIVE.COM).**

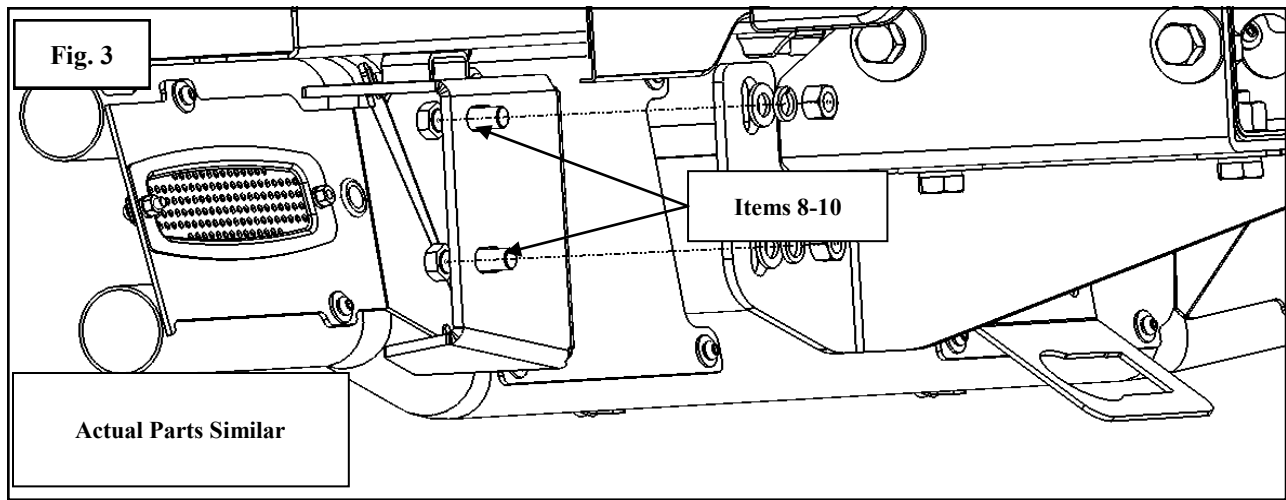
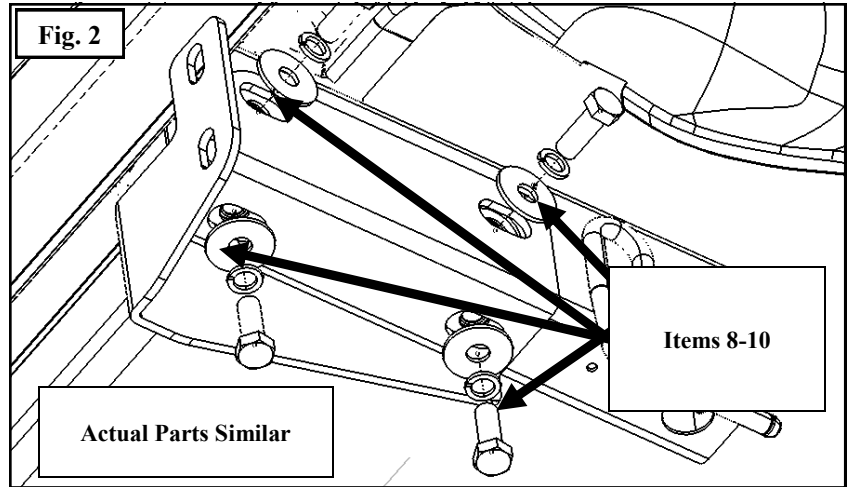


4. Using the supplied M14 hardware (8-10) and OEM bolts, loosely install frame brackets (items 5 and 6) on frame. **Note:** Do not tighten hardware. Original hardware can be used instead of supplied hardware. **See Figure 2 .**

5. Using the supplied M12 hardware (11-14), loosely install bumper (1) to frame brackets. **See Figure 3. (If equipped with parking sensors, install sensors and harness on bumper first. Skip to steps 6-8.)**

**WARNING .**

After you have mounted bumper on main brackets. **CAREFULLY** open tailgate. While tailgate is open, adjust the height of the bumper so that it has about 3/8" of clearance with respect to the tailgate. Then, tighten all M14 hardware to 75-80 ft-lbs and M12 hardware to 50-55 ft-lbs.

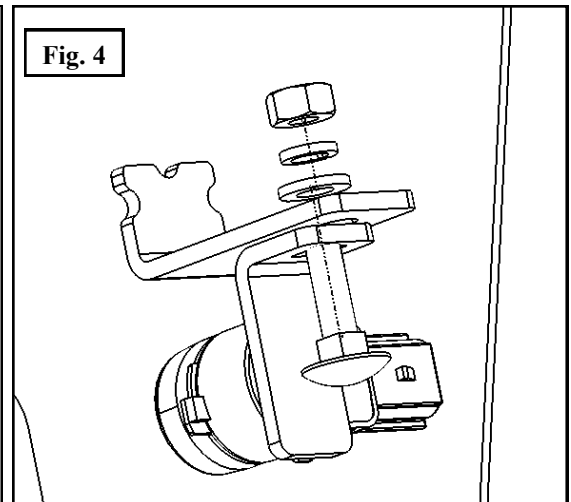


6. Install parking sensors by inserting into the holes on bumper and pressing with L-tabs (2) against bumper plate. Fasten L-tabs with the supplied M6 hardware (15-18). **See Figure 5.** Use supplied double sided tape between sensor and L-Tab to keep the sensor from rotating.

7. Use items 23 and 24 to secure sensor in place.

**Note:** Be sure to maintain the orientation of the sensor so that it remains consistent with its original orientation.

8. Tighten M6 hardware to 5-7 ft-lbs.

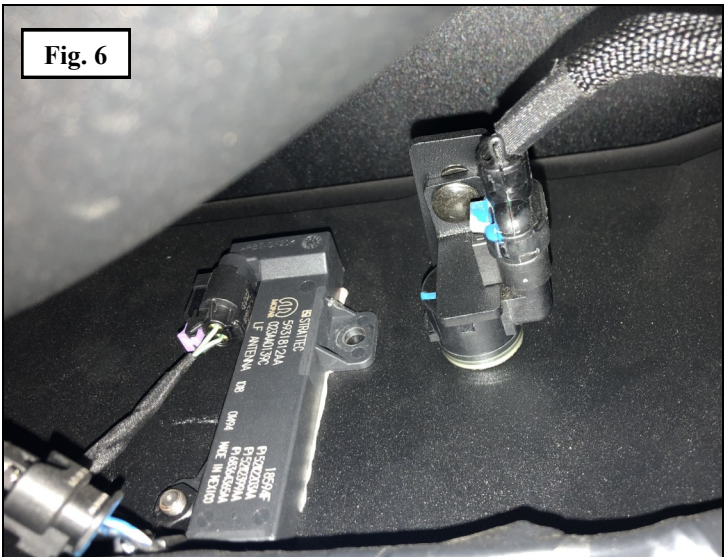






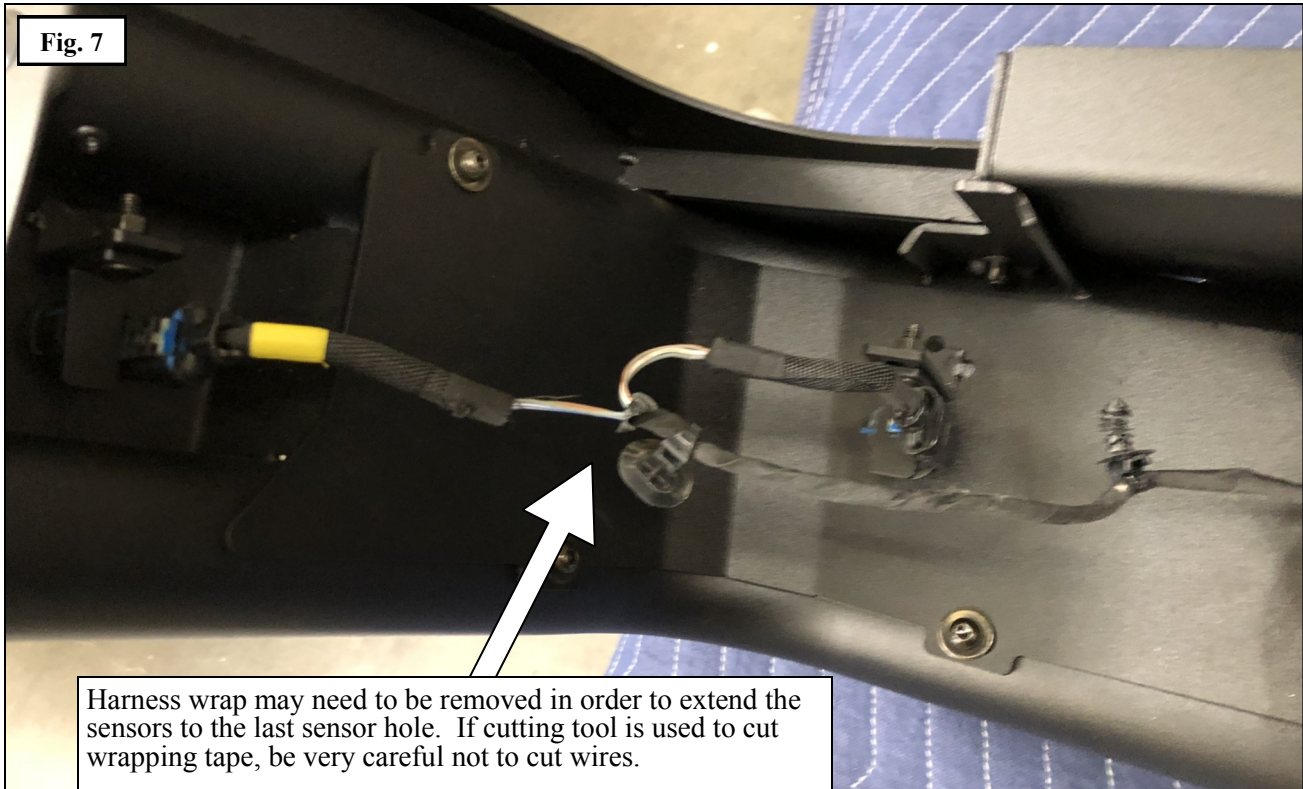
**Fig. 5**

Make sure to maintain OEM orientation of sensors



**Fig. 6**

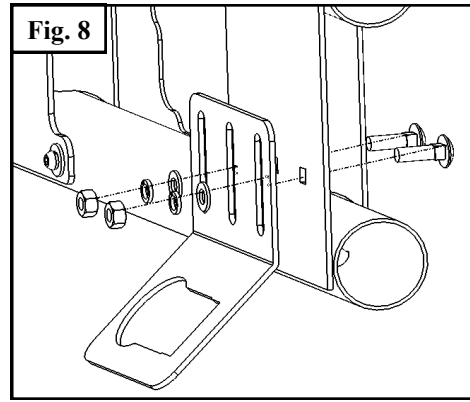
Use M5 hardware (Items 28 ,29) to install Antenna if equipped.



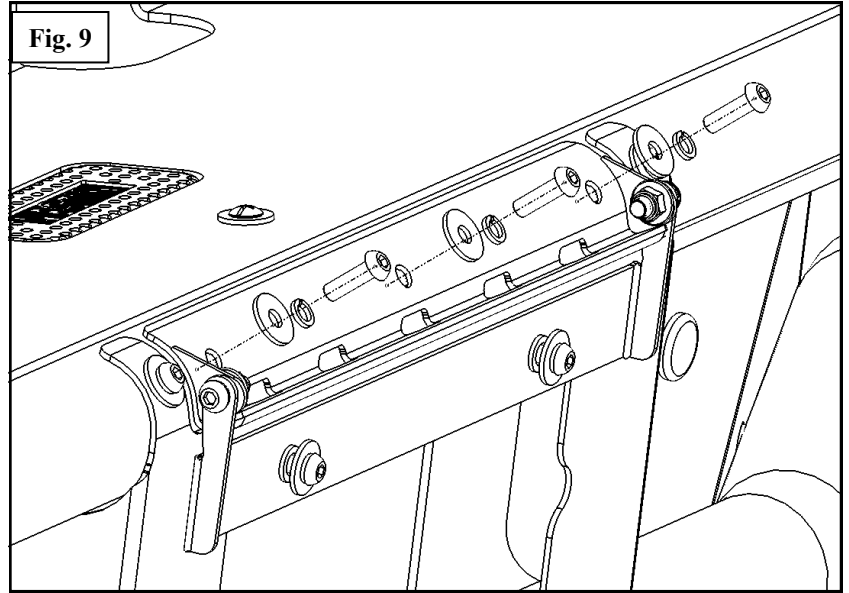
**Fig. 7**

Harness wrap may need to be removed in order to extend the sensors to the last sensor hole. If cutting tool is used to cut wrapping tape, be very careful not to cut wires.

9. Using M8 hardware (19-22), install trailer connector bracket (3) to the back plate of the bumper. Adjust up and down as desired and tighten M8 hardware to 15-18 ft-lbs. See **Figure 6**.



10. Using M6 SEMS button head hardware (27), install license plate swing mount (4) on bumper. Tighten M6 hardware to 5-7 ft-lbs. See **Figure 7**.
11. Install license plate on item 4 using M6 SEMS button head hardware (Item 27) and tighten to 5-7 ft-lbs.
12. Tighten the two nylon lock nuts on the sides until it has just enough resistance to prevent rotation due to normal condition while still allowing rotation by hand when desired or needed to access hitch.



13. Using items 25 and 26 connect the LED license plate light to one of the OEM license plate lights. Connect the black cable from the LED tape to the black cable going into the OEM license plate light. Then, connect the red cable on the LED tape to the colored (non-black) cable going to the OEM license plate light. Crimp carefully and cover with electrical tape. Use supplied zip ties and zip tie mounts to position cables as desired.





INSTALLATION COMPLETE





## WARNING



Failure to follow these instructions could lead to death, personal injury, and / or property damage.

### FASTENERS:

All Westin supplied fasteners must be utilized and installed in accordance with the installation instructions and apply torque to the specifications as defined. **DOUBLE CHECK ALL FASTENERS BEFORE INITIAL USE, AND PERIODICALLY IN THE FUTURE TO ENSURE PROPER FUNCTION AND SAFETY.**

### DRILLING:

Most Westin products do not require drilling for installation. If drilling is defined as required, use caution when drilling a vehicle. **FAILURE TO REVIEW AN AREA TO BE DRILLED MAY RESULT IN PERSONAL INJURY AND/OR INJURY TO OTHERS AS WELL AS VEHICLE DAMAGE.**

### EYE PROTECTION:

**ALWAYS WEAR SAFETY GLASSES OR GOGGLES DURING THE INSTALLATION PROCESS TO AVOID PERSONAL INJURY.**

### MAXIMUM TOWING/CARRYING CAPACITY:

The Westin Receiver Hitches will have a visible tow rating label affixed directly on the product. User should never exceed the vehicle manufacturers maximum tow and weight rating regardless of the capacity of the hitch. **FAILURE TO FOLLOW THESE GUIDELINES WILL VOID THE WESTIN WARRANTY AND MAY RESULT IN PERSONAL INJURY AND/OR INJURY TO OTHERS AS WELL AS VEHICLE DAMAGE.**