



# INSTALLATION GUIDE

## 2023-UP/CHEVY COLORADO ZR2

### PHANTOM FRONT BUMPER

F580263200103



#### TOOLS REQUIRED

(Torx) T15, T40

(Allen) 7/32

(Wrench) 7mm, 8mm, 10mm, 12mm, 13mm, 15mm, 9/16

(Socket) 7mm, 8mm, 10mm, 12mm, 13mm, 15mm, 9/16

Ratchet

Flat Head/Fastener Remover

Cutting Tools



#### TIME REQUIRED

- 4 hours for OEM Removal/Bumper Install

-1 Additional Hour to Wire Lights

**\*\*Labor Rates are based on a vehicle with no pre-existing damage. Wiring labor is based on a standard wiring procedure with light switches installed in an easily accessible location. Custom light triggering or switch mounting location will result in a greater labor charge.\*\***



#### SKILL LEVEL

-Medium/Intermediate

**\*\*This installation requires 2 people for best results\*\***

## ⚠️ WARNINGS/CAUTIONS BEFORE STARTING INSTALLATION ⚠️

-BEFORE YOU INSTALL THIS KIT-

**Read and understand all instructions,**

warnings, cautions, & notes contained in this installation instruction guide. Consult your vehicle owner's manual for proper disconnection of electrical and lifting of vehicle if required for installation of this product.

This install may require some technical skills and knowledge of basic mechanical work. If you do not feel that you are capable of performing this install please take this product to a trained professional.

After reading this guide please contact us with any questions or concerns before installing product.

Customer Service (480) 671-0820

Addictive desert designs is not responsible for any bodily injury or harm to you or your vehicle as a result of an improper install.

Proper installation of this kit required knowledge of the factory recommended procedures for removal and installation of original equipment components.

We recommend that the factory shop manual and any special tools needed to service your vehicle be on hand during the installation. Installation of this kit without proper knowledge of the factory recommended procedures may affect the performance of these

components and the safety of the vehicle. Inspect all contents of this package to make sure product is not damaged and all installation hardware has been included. If parts are missing from kit, please be prepared to provide the following information:

1. Name of purchase location
2. Bar Code on side of box
3. Date above bar code
4. Date inside box cover

**\*ALWAYS WEAR EYE PROTECTION WHEN OPERATING POWER TOOLS\***



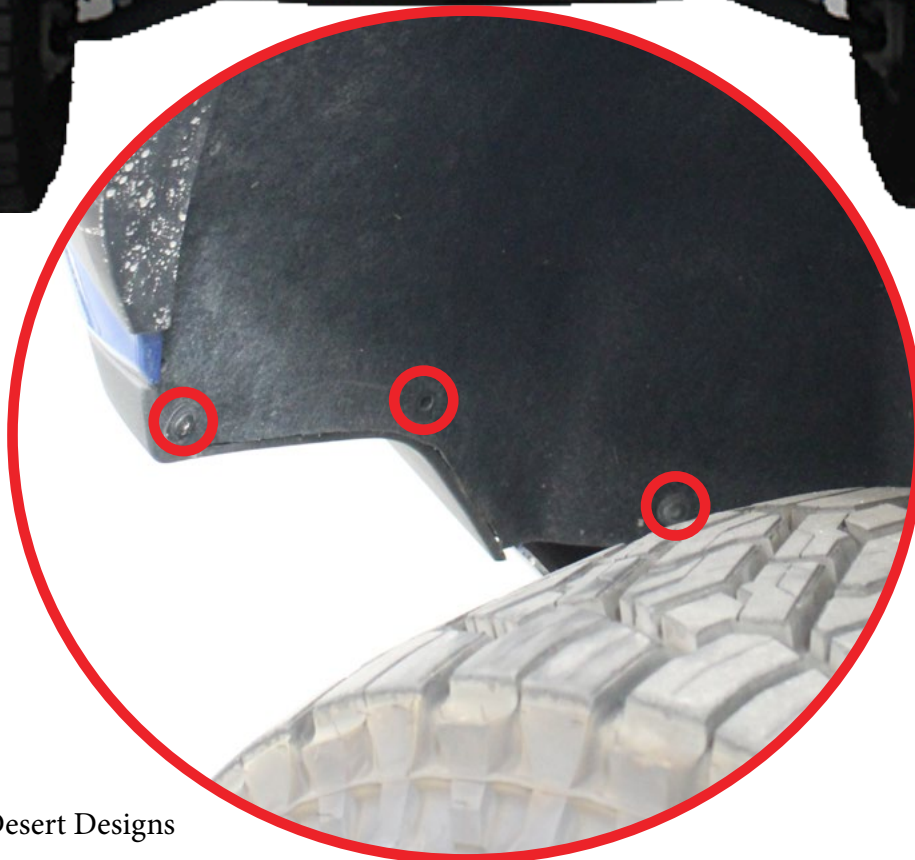
# INSTALLATION GUIDE

## PHANTOM FRONT BUMPER 2023-UP/CHEVY COLORADO ZR2

## REMOVAL

### □ STEP 1

Using a (T15) remove the hardware located inside the wheel well as shown below.





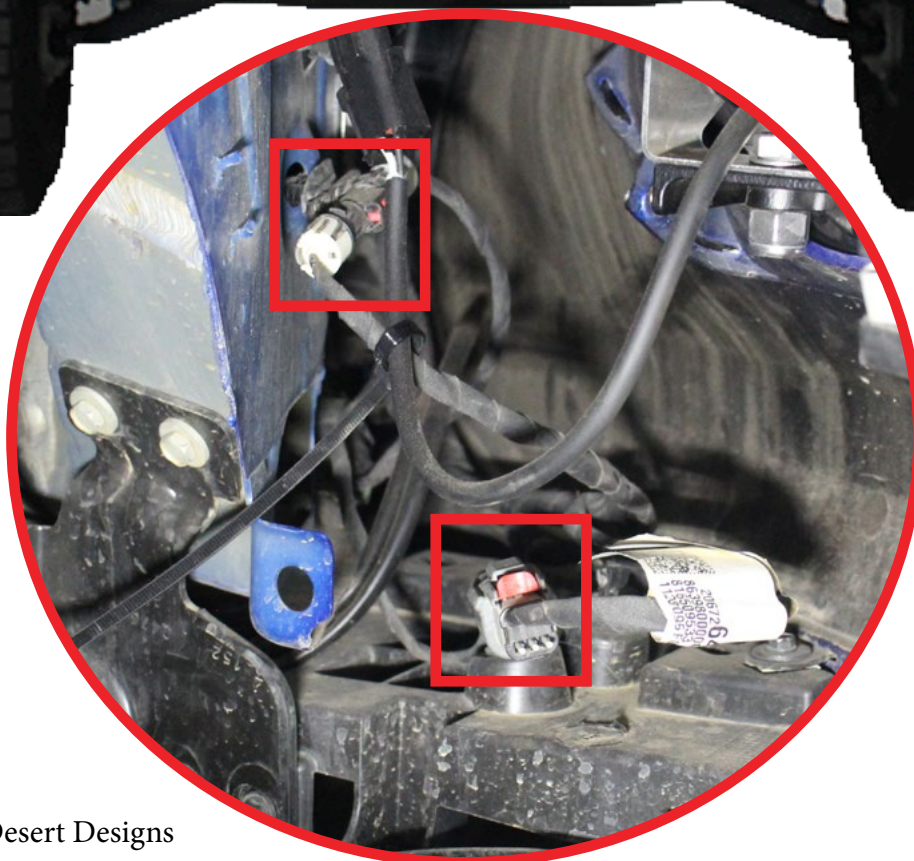
# INSTALLATION **GUIDE**

## PHANTOM FRONT BUMPER 2023-UP/CHEVY COLORADO ZR2

## REMOVAL

### □ STEP 2

Reach into the passenger side behind the wheel well felt and unplug the harness and camera plug ins.





# INSTALLATION **GUIDE**

## PHANTOM FRONT BUMPER 2023-UP/CHEVY COLORADO ZR2

## REMOVAL

### □ STEP 3

Using a (8mm socket), Remove the hardware as shown below located behind the wheel well felt on both driver and passenger side.

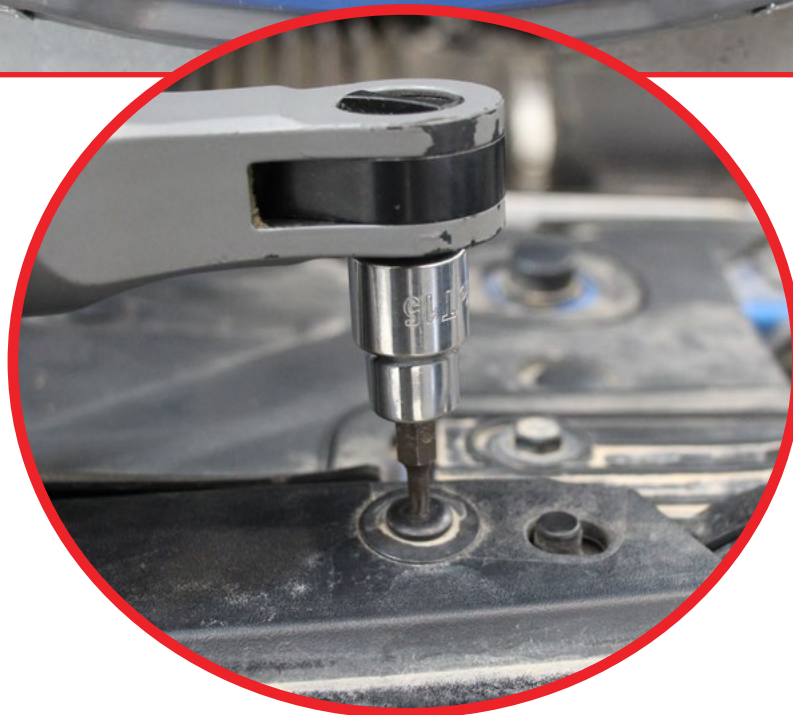


## PHANTOM FRONT BUMPER 2023-UP/CHEVY COLORADO ZR2

## REMOVAL

### □ STEP 4

Using a (T15), remove the bolts located on top of the grill as shown below.

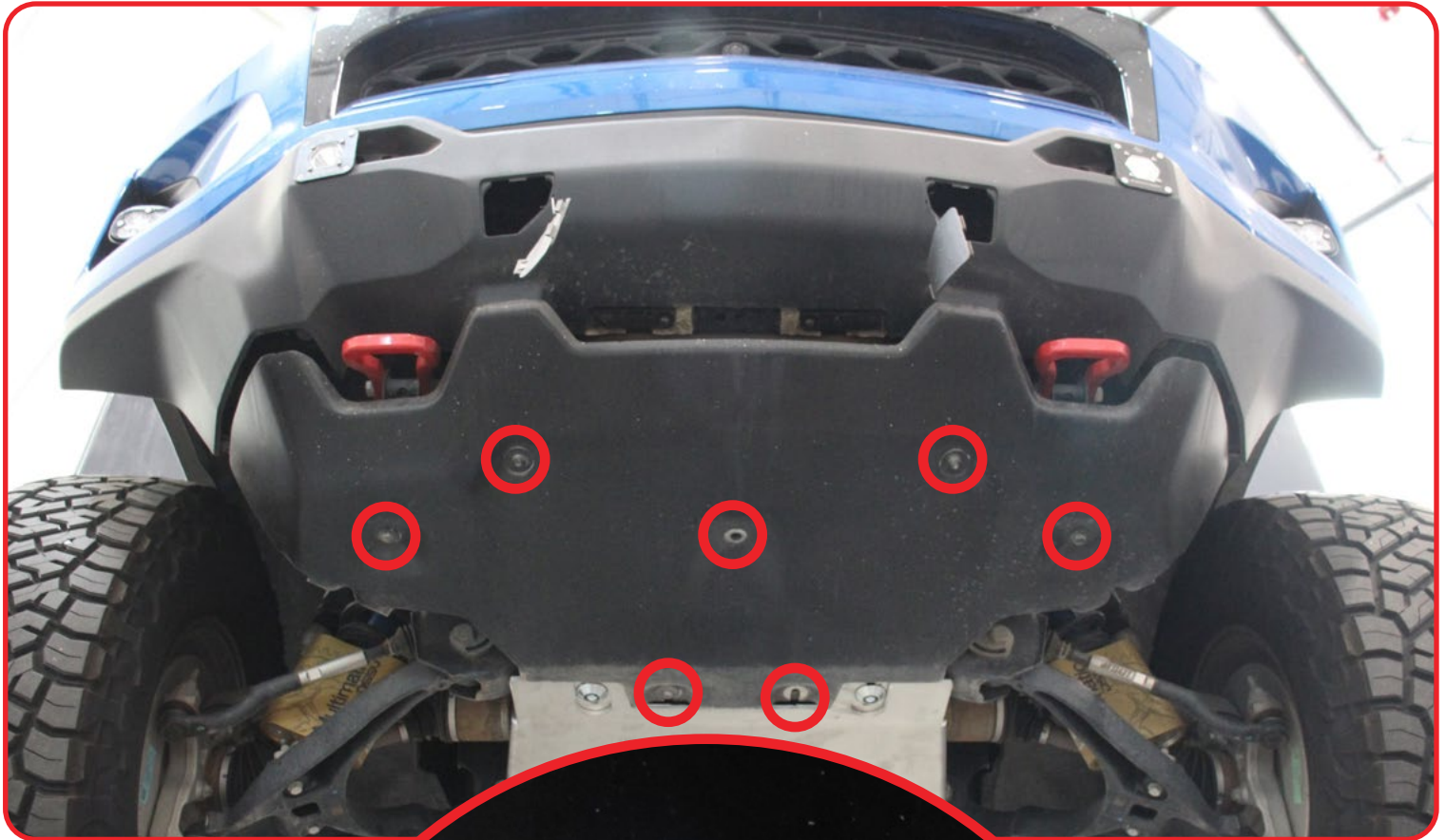


## PHANTOM FRONT BUMPER 2023-UP/CHEVY COLORADO ZR2

## REMOVAL

### □ STEP 5

Using a (T40) and a (12mm socket), remove the hardware holding the skid plate.





# INSTALLATION GUIDE

## PHANTOM FRONT BUMPER 2023-UP/CHEVY COLORADO ZR2

## REMOVAL

### □ STEP 6

Using a (10mm socket), Remove the secondary skid.





# INSTALLATION GUIDE

## PHANTOM FRONT BUMPER 2023-UP/CHEVY COLORADO ZR2

## REMOVAL

### □ STEP 7

Pull the fender flairs outwards as shown below.







# INSTALLATION GUIDE

## PHANTOM FRONT BUMPER 2023-UP/CHEVY COLORADO ZR2

## REMOVAL

### □ STEP 8

Pull off the valence located behind the fender flairs.



## PHANTOM FRONT BUMPER 2023-UP/CHEVY COLORADO ZR2

## REMOVAL

### □ STEP 9

Using a (flathead screw driver), remove the covers to expose the mounting hardware as shown below. Next, using a (13mm socket) remove the bumper hardware. With a helping hand remove the bumper with the grill and valence by pulling.

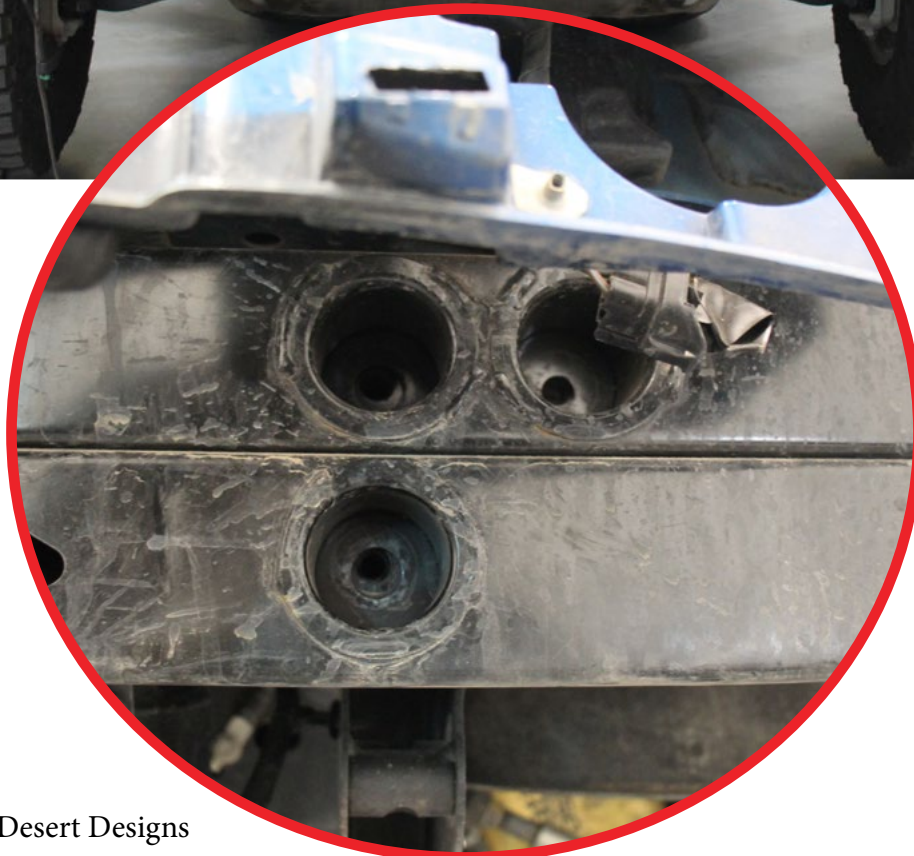


## PHANTOM FRONT BUMPER 2023-UP/CHEVY COLORADO ZR2

## REMOVAL

### □ STEP 10

Remove the crash bar hardware using a (15mm socket). **\*\*Keep hardware for install\*\***

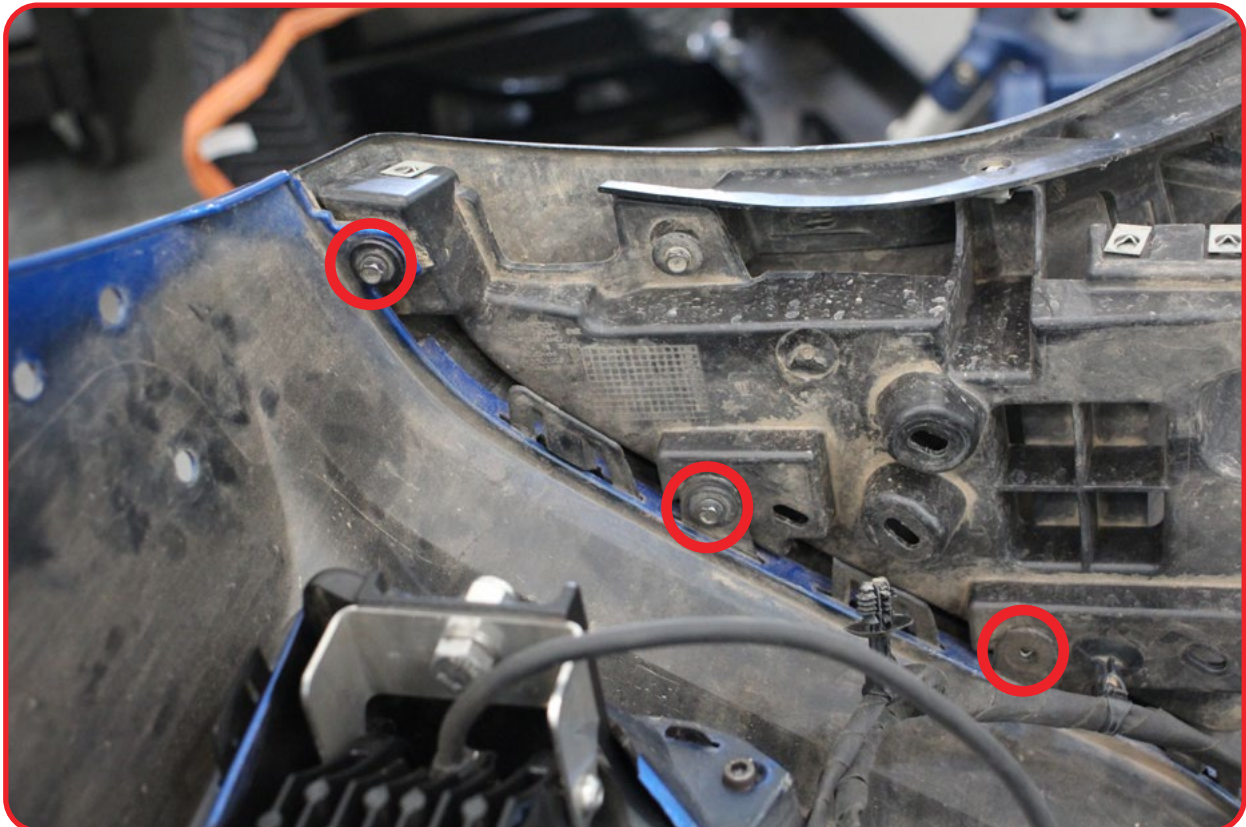


## PHANTOM FRONT BUMPER 2023-UP/CHEVY COLORADO ZR2

## REMOVAL

### □ STEP 11

Using a (7mm socket) remove the hardware from the grill holding the bumper on.



## PHANTOM FRONT BUMPER 2023-UP/CHEVY COLORADO ZR2

## REMOVAL

### □ STEP 12

Using your choice of cutting tools, cut the excess plastic as shown on the dotted line. Next Re-install the grill back onto the truck and plug in the harness and camera.

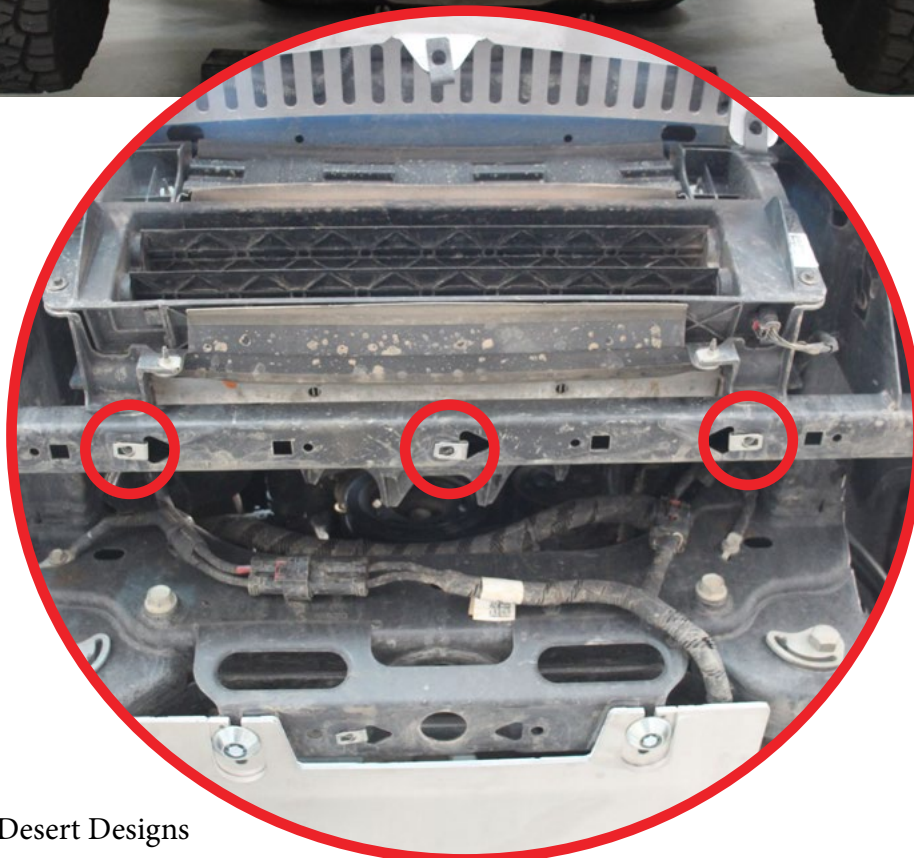


## PHANTOM FRONT BUMPER 2023-UP/CHEVY COLORADO ZR2

## REMOVAL

### □ STEP 13

Remove the nut clips from the cross bar and install the provided nut clips.

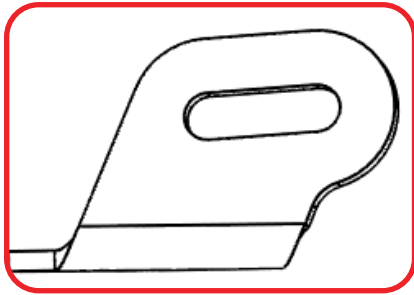
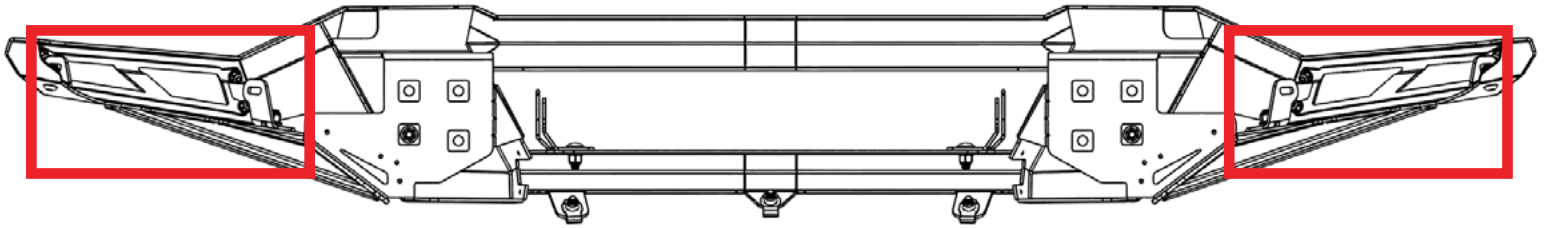


## PHANTOM FRONT BUMPER 2023-UP/CHEVY COLORADO ZR2

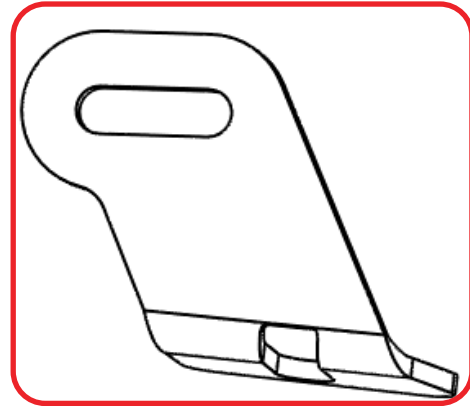
## INSTALL

### STEP 14

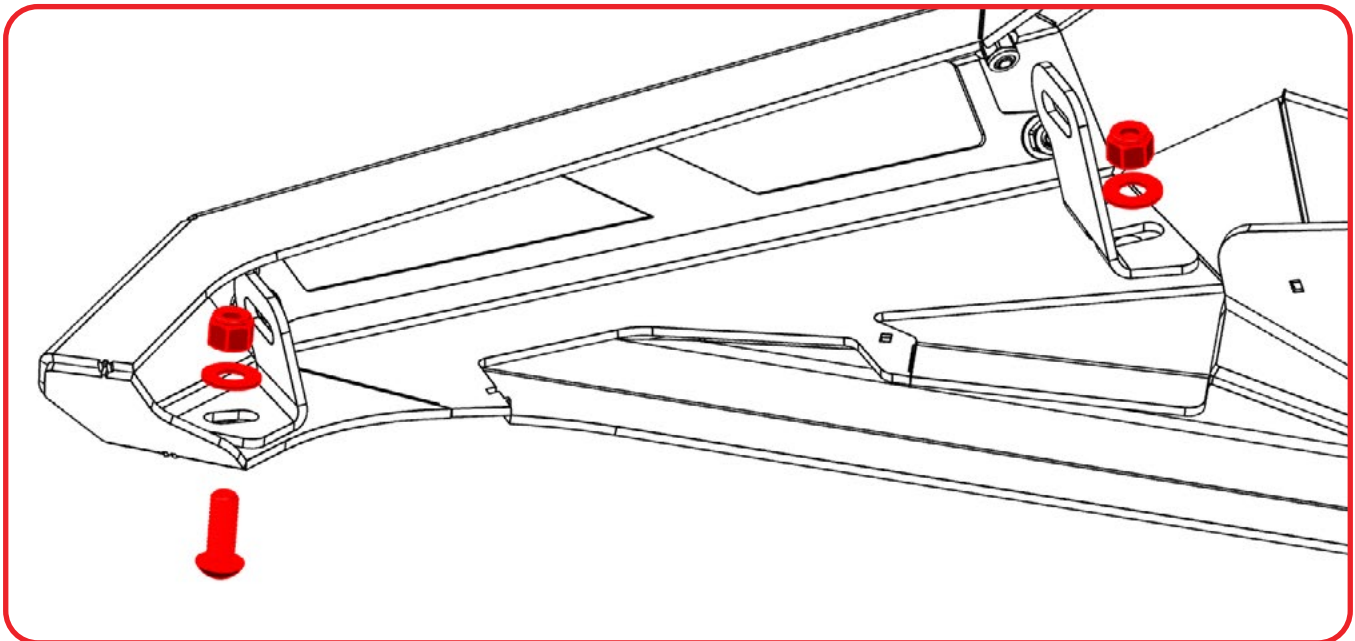
Now would be a good time to install the 10" light set ups. As shown below the shallow bracket is for the outside and the taller bracket is for the inside. Install using the provided 3/8 button head bolts with washer and nuts using a (7/32 allen) and a (9/16 wrench).



**OUTSIDE**



**INSIDE**





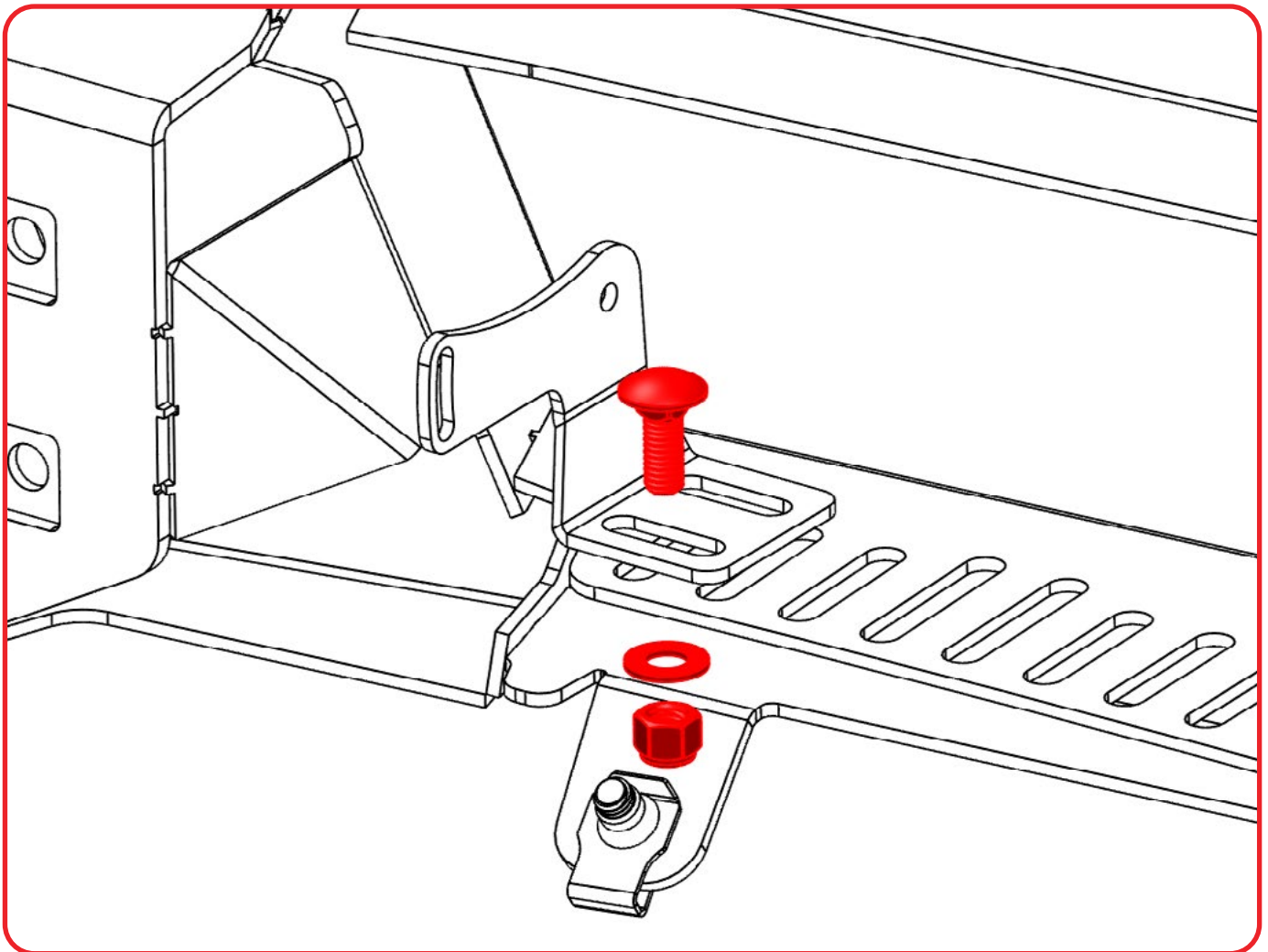
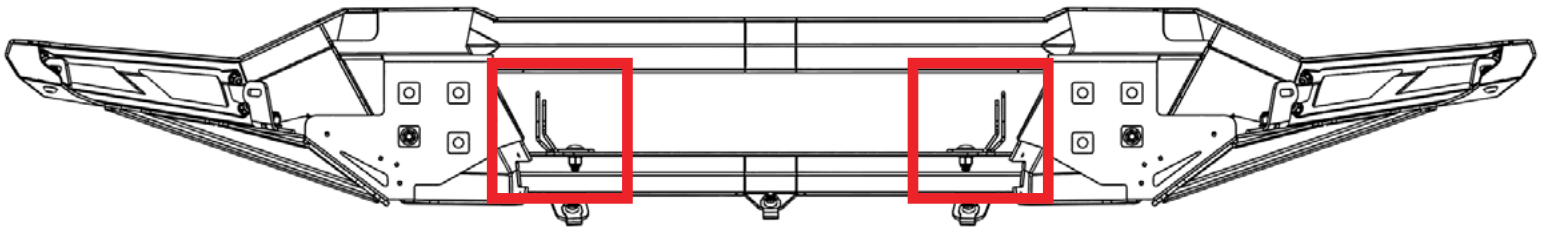
# INSTALLATION GUIDE

## PHANTOM FRONT BUMPER 2023-UP/CHEVY COLORADO ZR2

## INSTALL

### STEP 15

Install the light bar set up using the provided light bracket and the provided 3/8 carriage bolts, washers, and nuts using a (9/16 wrench).







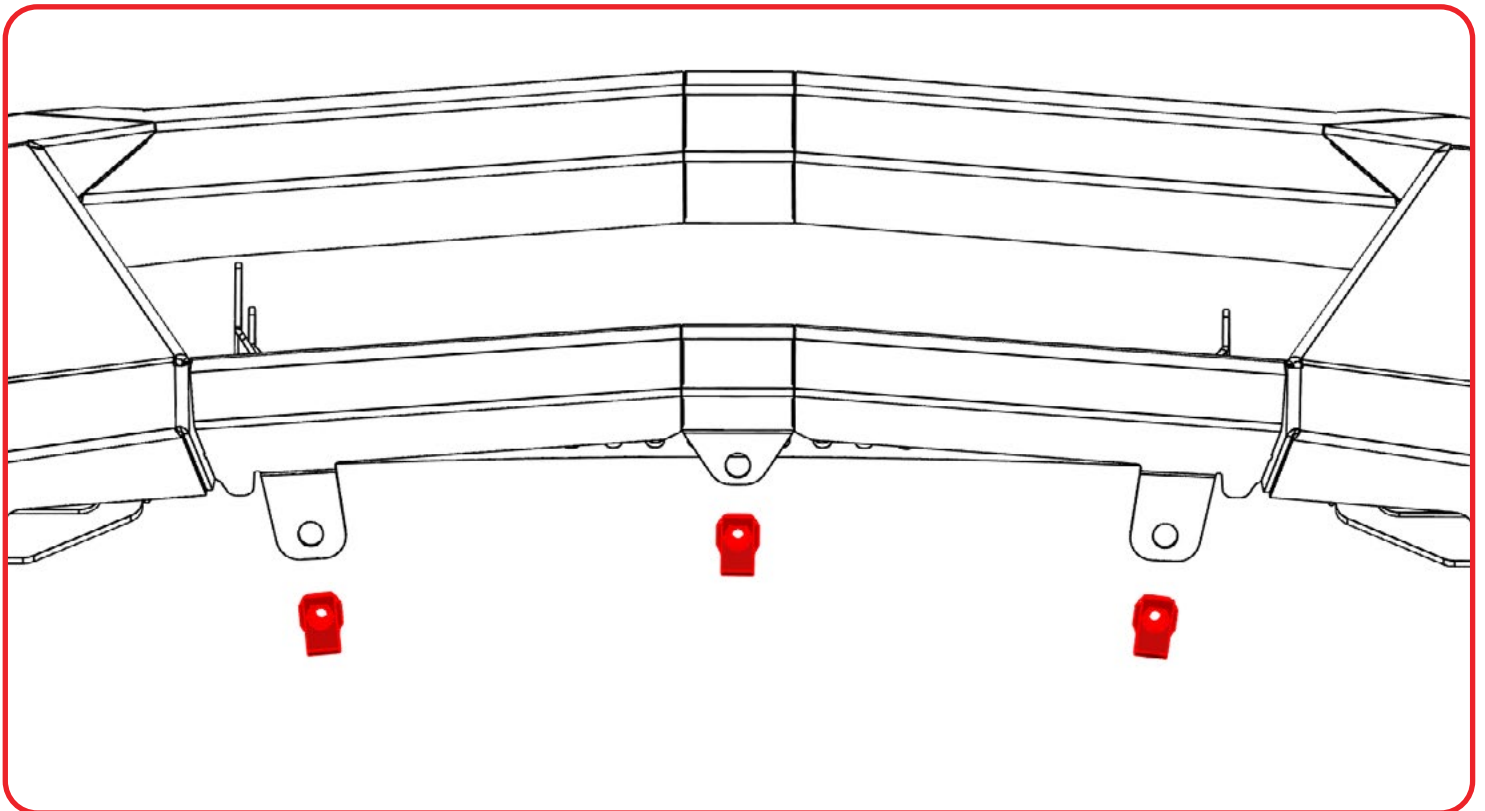
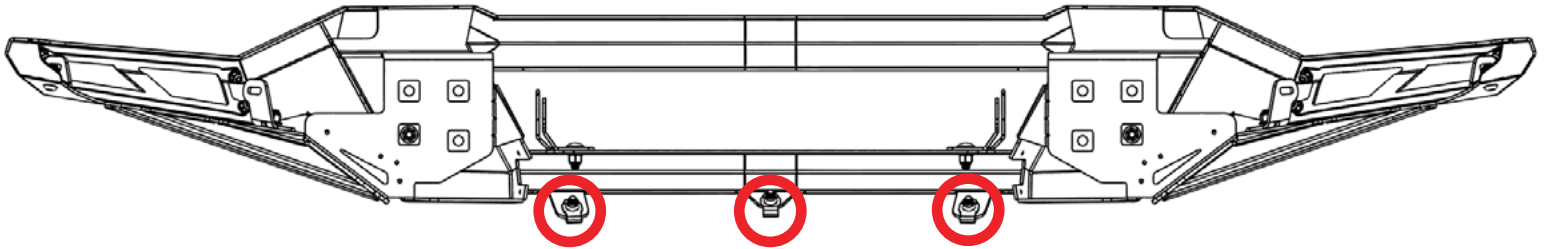
# INSTALLATION GUIDE

## PHANTOM FRONT BUMPER 2023-UP/CHEVY COLORADO ZR2

## INSTALL

### STEP 16

Install the provided nut clips for mounting the skid plate as shown below.

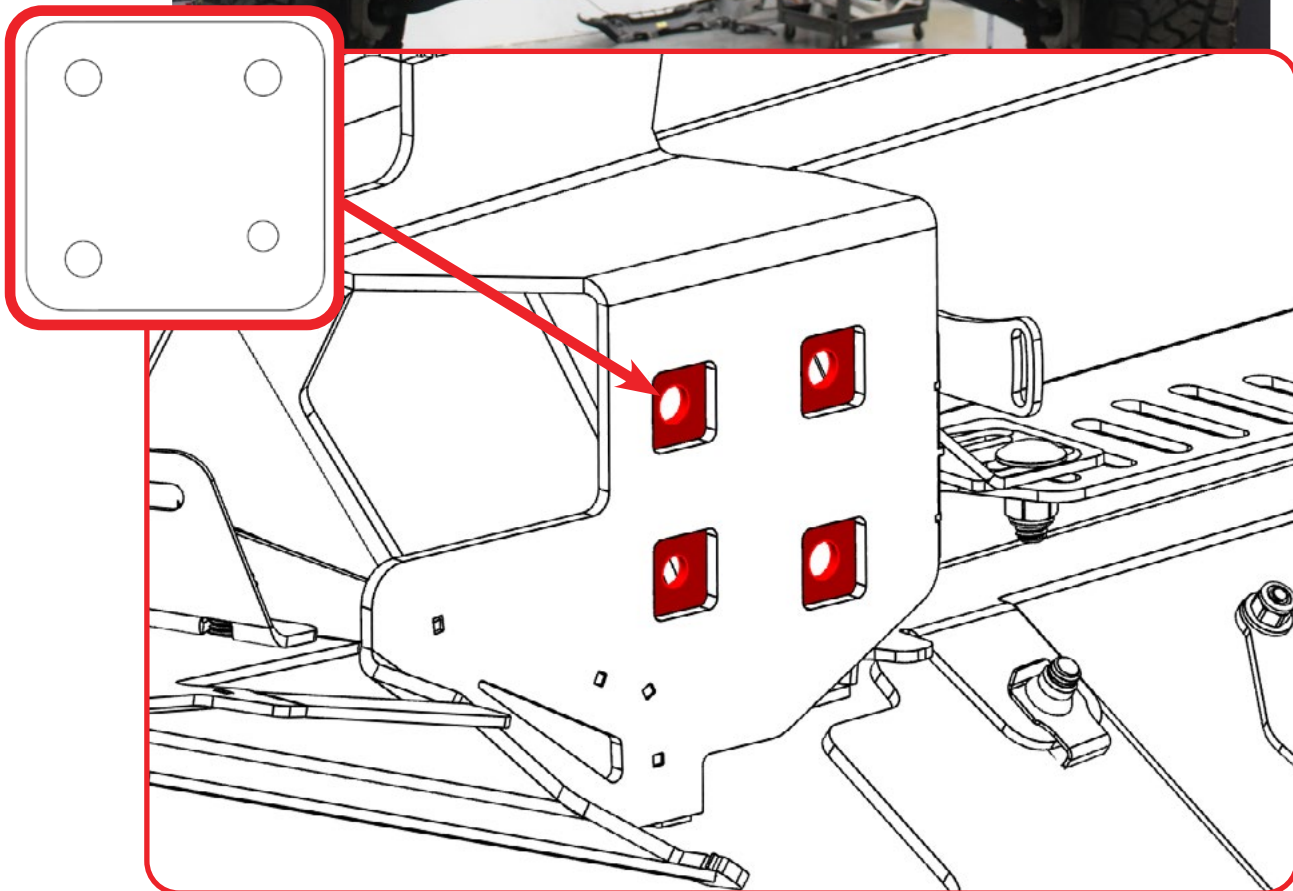


## PHANTOM FRONT BUMPER 2023-UP/CHEVY COLORADO ZR2

## INSTALL

### □ STEP 17

With a helping hand, install the bumper using the OEM hardware removed from step 10 using a (15mm socket). Ensure to install the mounting plate as shown below.

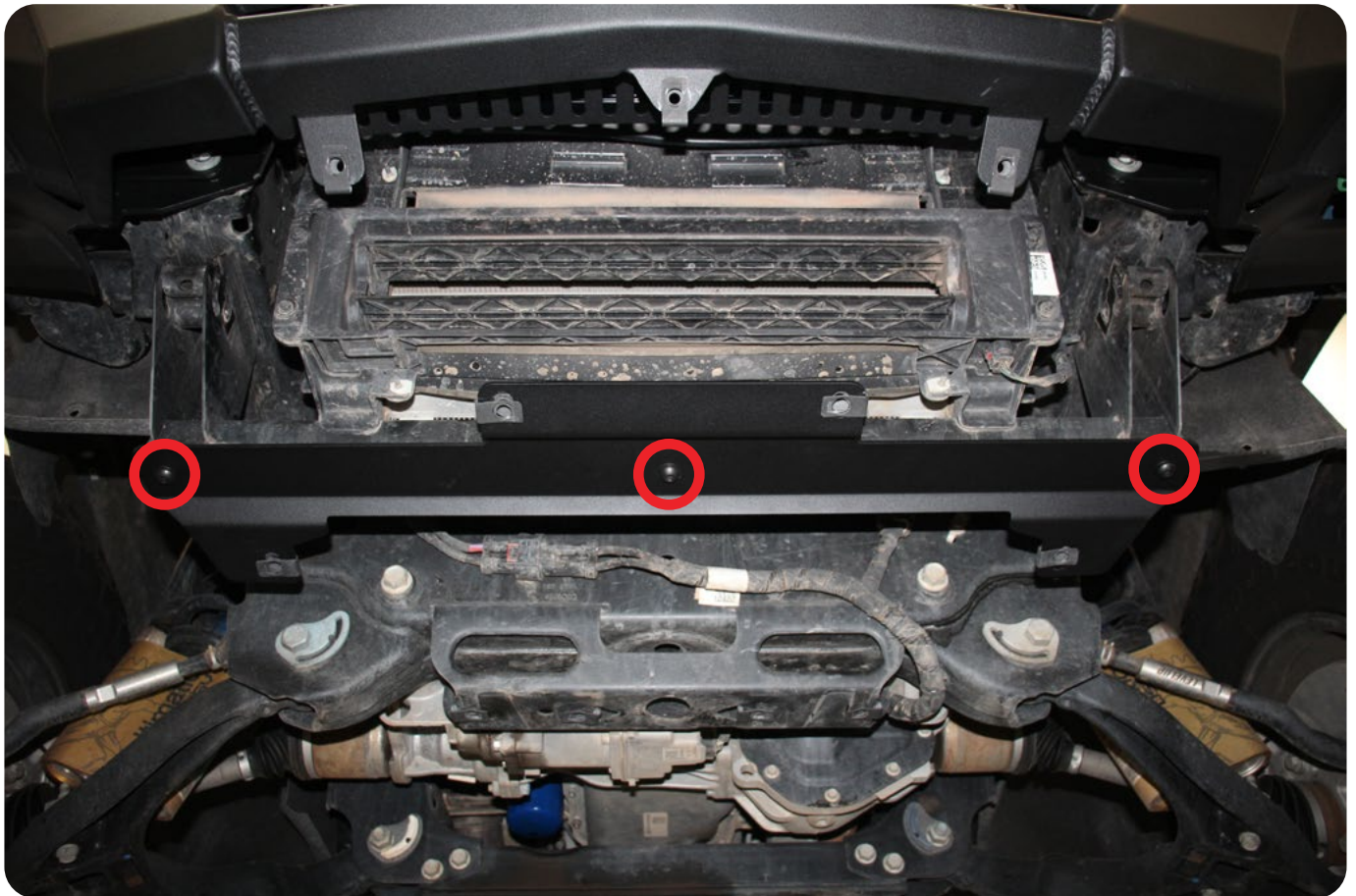
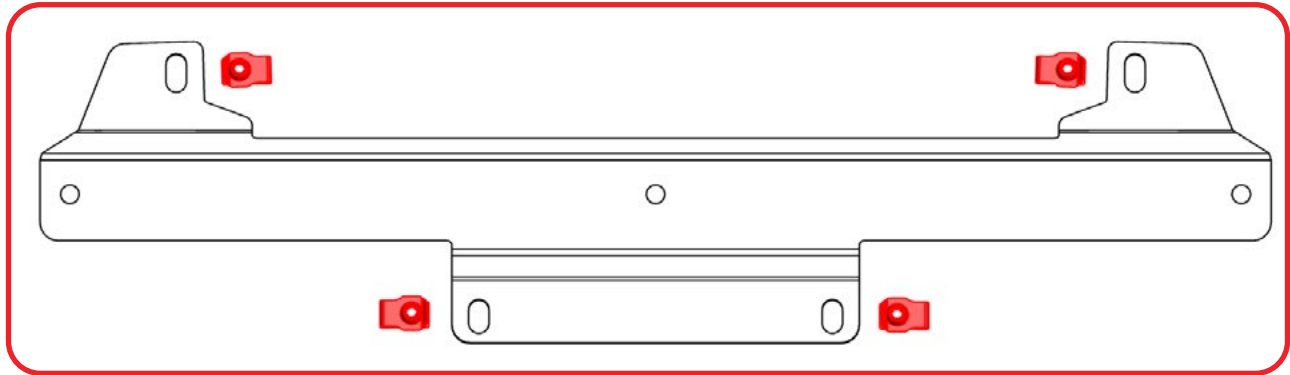


## PHANTOM FRONT BUMPER 2023-UP/CHEVY COLORADO ZR2

## INSTALL

### □ STEP 18

Install the provided nut clips to the skid plate bracket and install the bracket to the cross bar from step 13 using the provided 3/8 button head bolts and washers using a (7/32 allen).



## PHANTOM FRONT BUMPER 2023-UP/CHEVY COLORADO ZR2

## INSTALL

### □ STEP 19

Install the skid plate to the nut clips installed on **steps 16 & 18** using the provided 3/8 button head bolts using a (7/32 allen). next install the OEM hardware removed from **step 5** on the bottom of the skid plate using a (12mm socket).





# INSTALLATION GUIDE

## PHANTOM FRONT BUMPER 2023-UP/CHEVY COLORADO ZR2

## FINAL

### STEP 20

Stand back and enjoy your new ADD Phantom Front Bumper.

Check and re-tighten all mounting bolts after 100 miles and periodically thereafter.



THIS PRODUCT IS PROTECTED BY ONE OR MORE U.S. PATENTS  
[WWW.ADDICTIVEDESERTDESIGNS.COM/PATENTS](http://WWW.ADDICTIVEDESERTDESIGNS.COM/PATENTS)

FOR ADDITIONAL SUPPORT OR TECHNICAL QUESTIONS,  
PLEASE CALL 480-671-0820 OR  
EMAIL [INFO@ADDICTIVEDESERTDESIGNS.COM](mailto:INFO@ADDICTIVEDESERTDESIGNS.COM)