



INSTALLATION GUIDE

18-UP/JEEP JL

PHANTOM STUBBY FRONT BUMPER

F980393070103



TOOLS REQUIRED

- (Sockets) 7/16, 9/16, 3/4, 13mm, 16mm, 18mm
- (Box end wrenches) 7/16, 9/16, 3/4, 13mm, 16mm, 18mm
- (Allen wrenches) 5/32, 7/32, 5/16
- Ratchet
- 1/2" Drill Bit
- Drill



TIME REQUIRED

- 3 hours for OEM Removal/Bumper Install
- 1 Additional Hour to Wire Lights

****Labor Rates are based on a vehicle with no pre-existing damage. Wiring labor is based on a standard wiring procedure with light switches installed in an easily accessible location. Custom light triggering or switch mounting location will result in a greater labor charge.****



SKILL LEVEL

-Easy/Intermediate

****This installation requires 2 people for best results****

⚠️ WARNINGS/CAUTIONS BEFORE STARTING INSTALLATION ⚠️

-BEFORE YOU INSTALL THIS KIT-

Read and understand all instructions, warnings, cautions, & notes contained in this installation instruction guide. Consult your vehicle owner's manual for proper disconnection of electrical and lifting of vehicle if required for installation of this product.

This install may require some technical skills and knowledge of basic mechanical work. If you do not feel that you are capable of performing this install please take this product to a trained professional.

After reading this guide please contact us with any questions or concerns before installing product.

Customer Service (480) 671-0820

Addictive desert designs is not responsible for any bodily injury or harm to you or your vehicle as a result of an improper install.

Proper installation of this kit required knowledge of the factory recommended procedures for removal and installation of original equipment components.

We recommend that the factory shop manual and any special tools needed to service your vehicle be on hand during the installation. Installation of this kit without proper knowledge of the factory recommended procedures may affect the performance of these

components and the safety of the vehicle. Inspect all contents of this package to make sure product is not damaged and all installation hardware has been included. If parts are missing from kit, please be prepared to provide the following information:

1. Name of purchase location
2. Bar Code on side of box
3. Date above bar code
4. Date inside box cover

ALWAYS WEAR EYE PROTECTION WHEN OPERATING POWER TOOLS



INSTALLATION GUIDE

HARDWARE/PARTS

A.



1/4-20 X 3/4" BUTTON HEAD BOLT BLACK

QTY: 2

A1.



1/4-20" NYLON LOCK NUT BLACK

QTY: 2

A2.



1/4" FLAT WASHER BLACK

QTY: 2

B.



3/8-16 X 1" BUTTON HEAD BOLT BLACK

QTY: 17

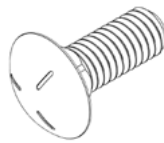
B1.



3/8-16 U-NUT

QTY: 11

C.



3/8-16 X 1" CARRIAGE BOLT BLACK

QTY: 2

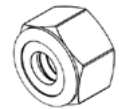
C1.



3/8" FLAT WASHER BLACK

QTY: 8

C2.



3/8-16" NYLON LOCK NUT BLACK

QTY: 8

D.



1/2-13 X 1 1/2" BUTTON HEAD BOLT BLACK

QTY: 2

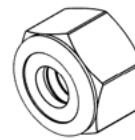
D1.



1/2" FLAT WASHER BLACK

QTY: 2

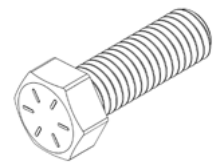
D2.



1/2-13" NYLON LOCK NUT BLACK

QTY: 2

E.



1/2-13 X 1 1/2" HEX HEAD BOLT GRADE 8

QTY: 4

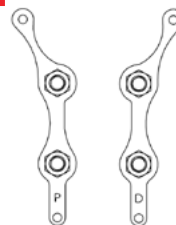
E1.



1/2 FLAT WASHER ZINC

QTY: 4

F.



FLAG NUT KIT

QTY: 1



INSTALLATION GUIDE

PHANTOM STUBBY FRONT BUMPER 18-UP/JEEP JL

REMOVAL

□ STEP 1

Remove the two plastic clips on the top of the bumper as shown below.

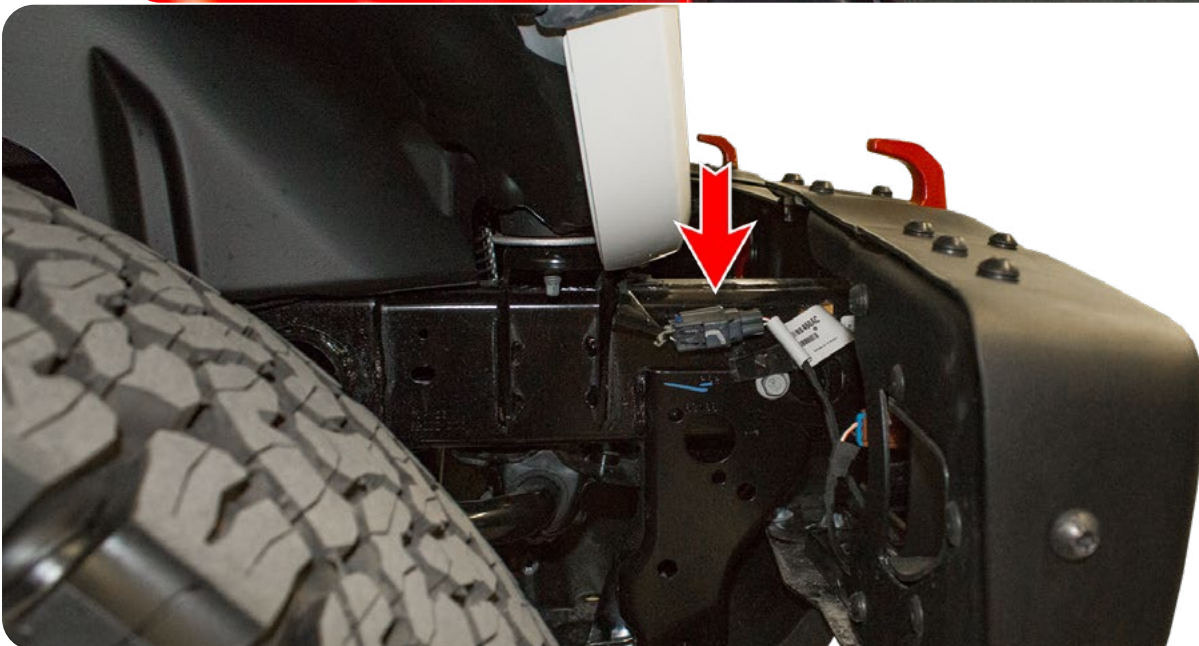


PHANTOM STUBBY FRONT BUMPER 18-UP/JEEP JL

REMOVAL

□ STEP 2

If your Jeep has 6 additional clips on the front lip of the plastic bumper cover, remove those clips now. Once those clips are removed, you may pull the plastic cover off the vehicle. Then unplug the front bumper harness located along the passenger side frame rail as shown below.





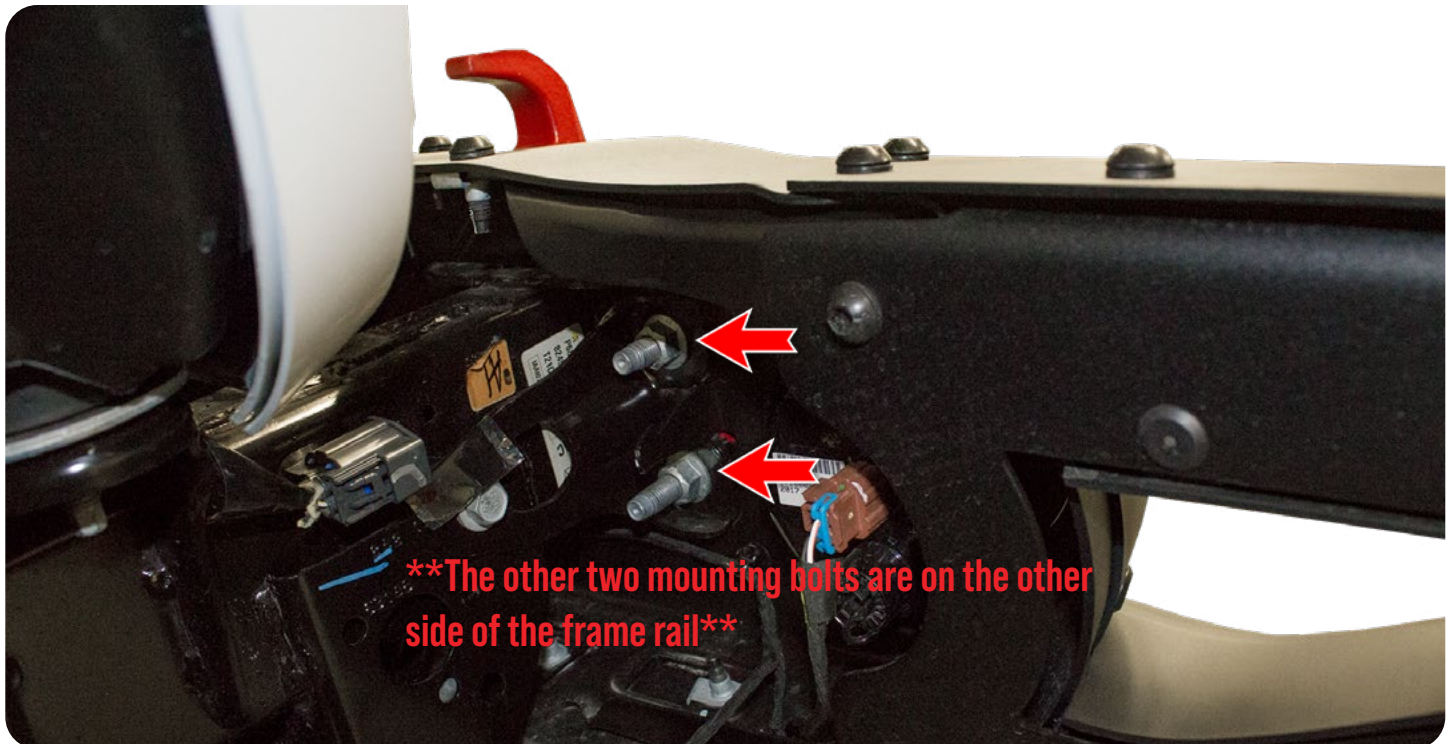
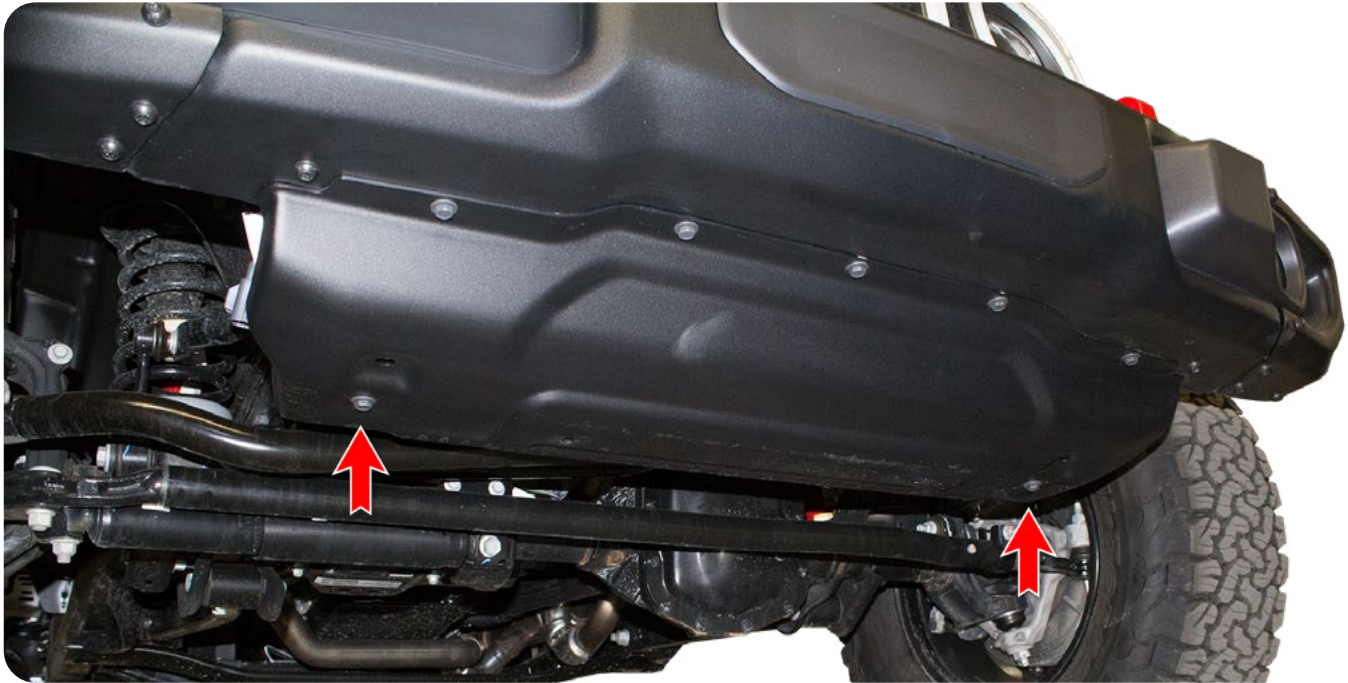
INSTALLATION GUIDE

PHANTOM STUBBY FRONT BUMPER 18-UP/JEEP JL

REMOVAL

□ STEP 3

Use a (13mm Socket) to remove both lower skid plate bolts. Then using an (18mm Socket), remove the bumper mounting bolts (4 per side). Then, remove the bumper from the vehicle.





INSTALLATION GUIDE

PHANTOM STUBBY FRONT BUMPER 18-UP/JEEP JL

REMOVAL

□ STEP 4

Using a (16mm Socket), remove the bolts referenced bellow in the first picture. Then, remove the skid mounting plate. ****KEEP HARDWARE FOR INSTALL****





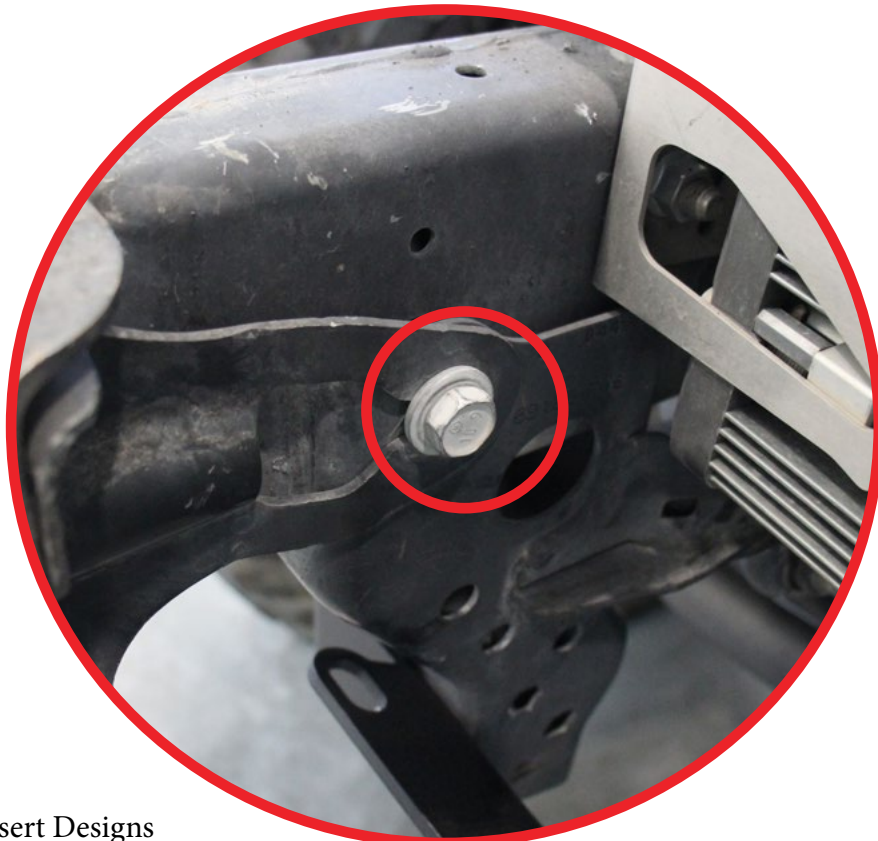
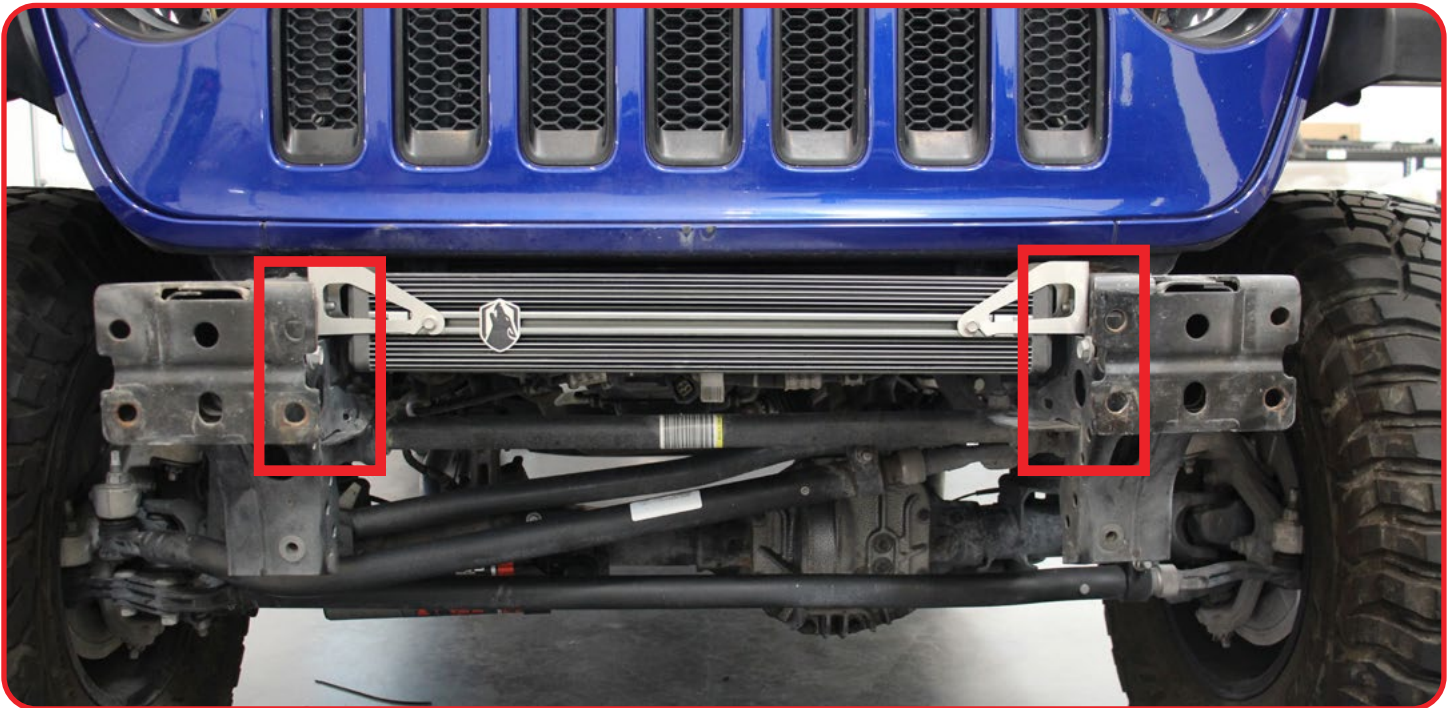
INSTALLATION GUIDE

PHANTOM STUBBY FRONT BUMPER 18-UP/JEEP JL

REMOVAL

□ STEP 5

Using a (16mm Socket), remove the bolts referenced bellow. ****KEEP HARDWARE FOR INSTALL****





INSTALLATION GUIDE

PHANTOM STUBBY FRONT BUMPER 18-UP/JEEP JL

INSTALL

STEP 6

Now would be a good time to install the winch or your choice.





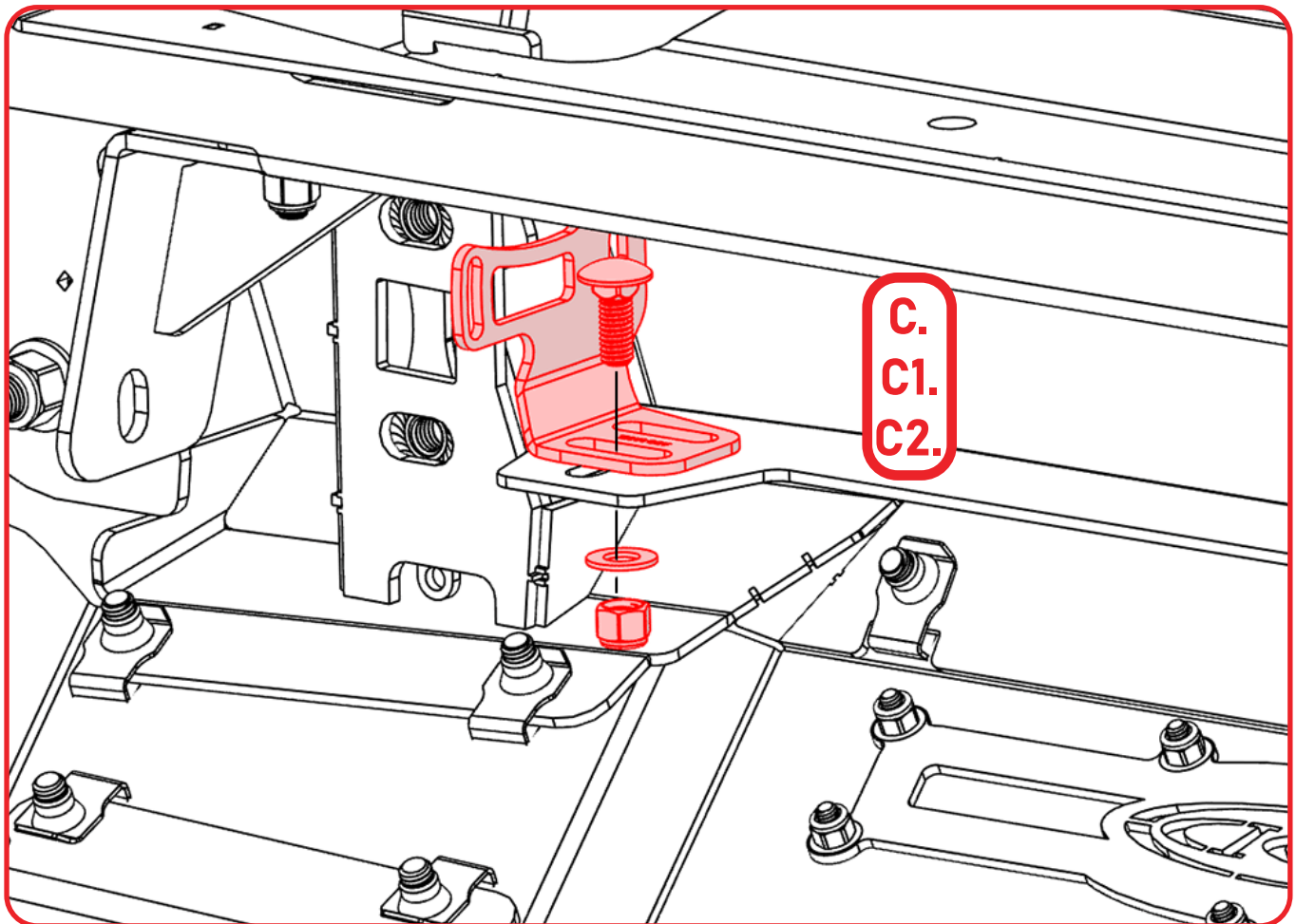
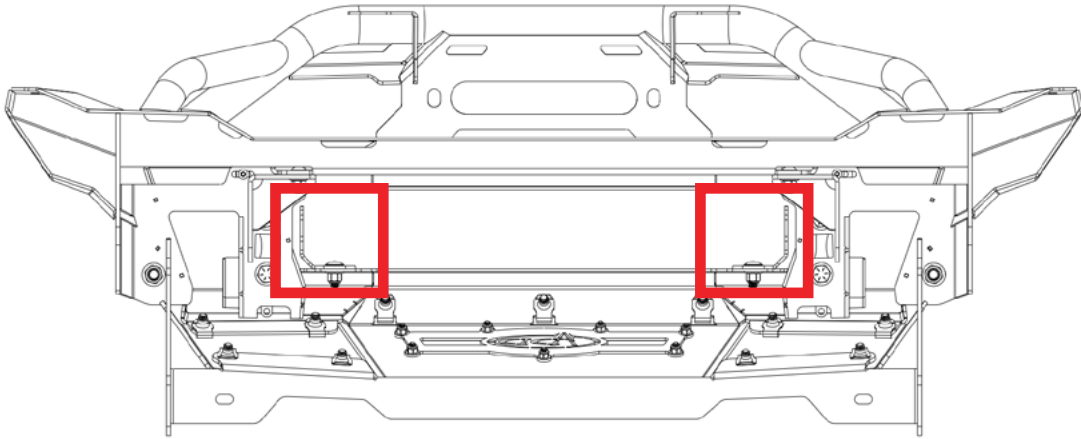
INSTALLATION GUIDE

PHANTOM STUBBY FRONT BUMPER 18-UP/JEEP JL

INSTALL

□ STEP 7

Install the light brackets with the provided **(C, C1, C2)** 3/8" hardware using a (9/16 wrench).





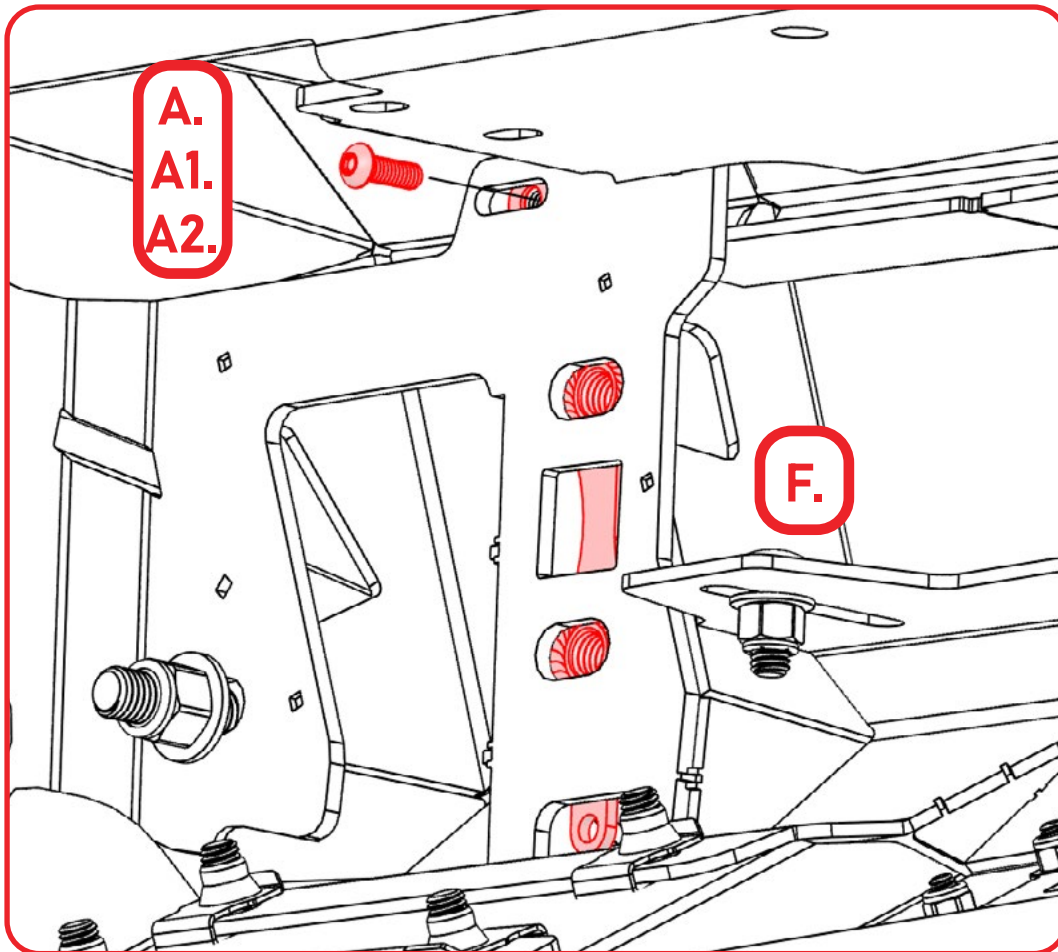
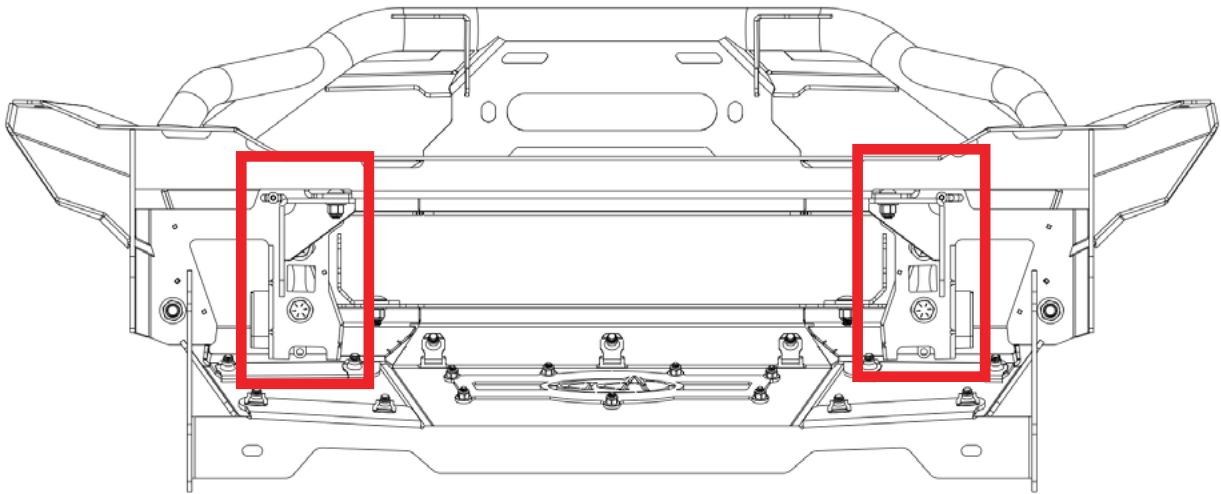
INSTALLATION GUIDE

PHANTOM STUBBY FRONT BUMPER 18-UP/JEEP JL

INSTALL

STEP 8

Set the supplied (F) flag nut kit in place on your new bumper. Each side has an ID, P for passenger and D for driver. Then with the provided (A, A1, A2) 1/4" hardware install to hold in place using a (5/32 allen) and a (7/16 wrench).





INSTALLATION GUIDE

PHANTOM STUBBY FRONT BUMPER 18-UP/JEEP JL

INSTALL

□ STEP 9

Using a (1/2 drill bit) drill the 3x holes on each side of the frame horns as shown below.



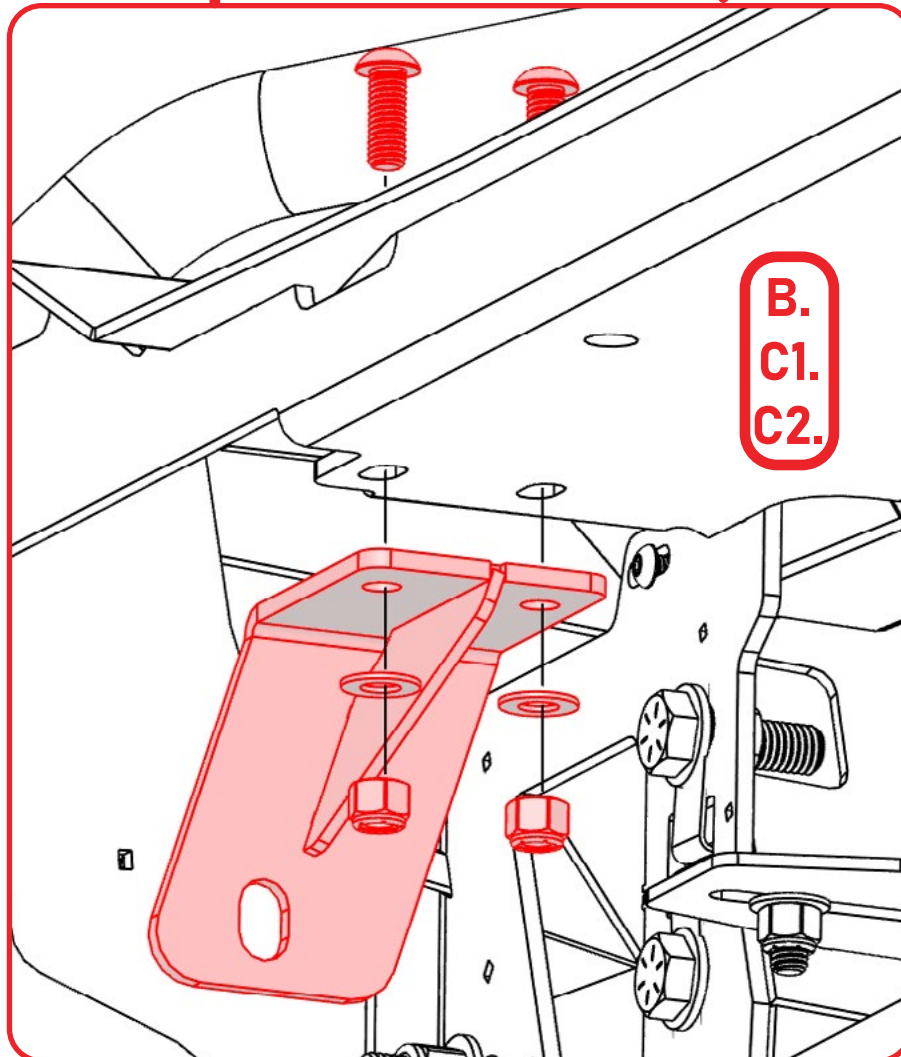
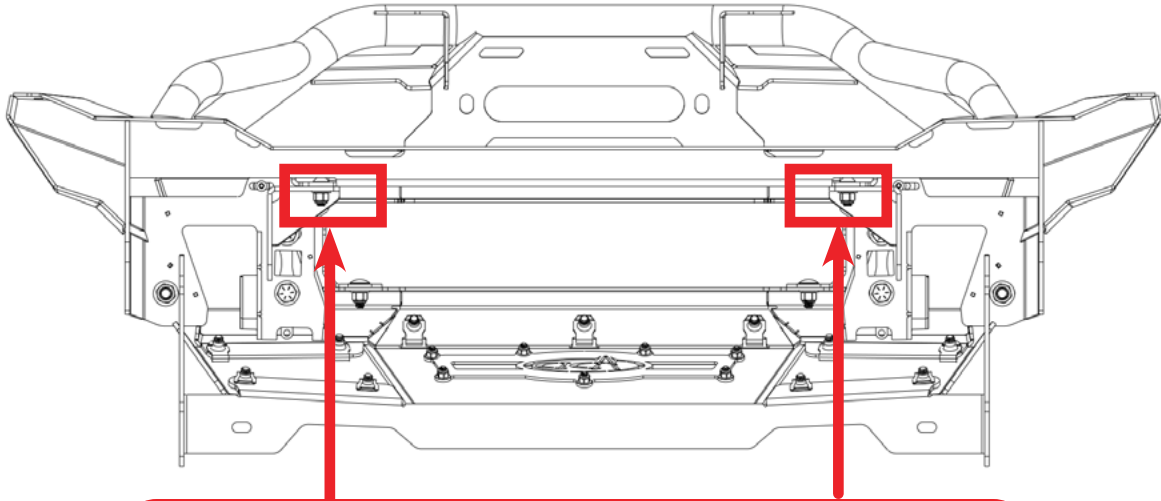


PHANTOM STUBBY FRONT BUMPER 18-UP/JEEP JL

INSTALL

□ STEP 10

Install the support brackets as shown below with the provided **(B, C1, C2)** 3/8" hardware using a (7/32 allen) and a (9/16 wrench).





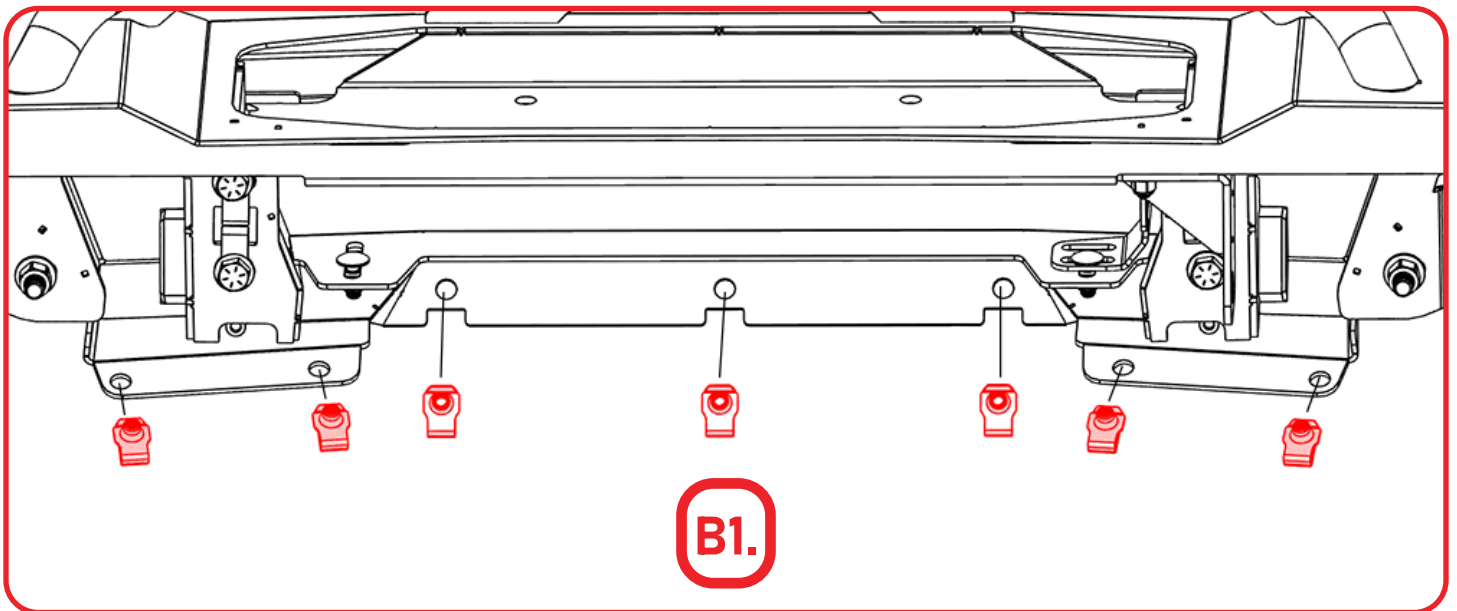
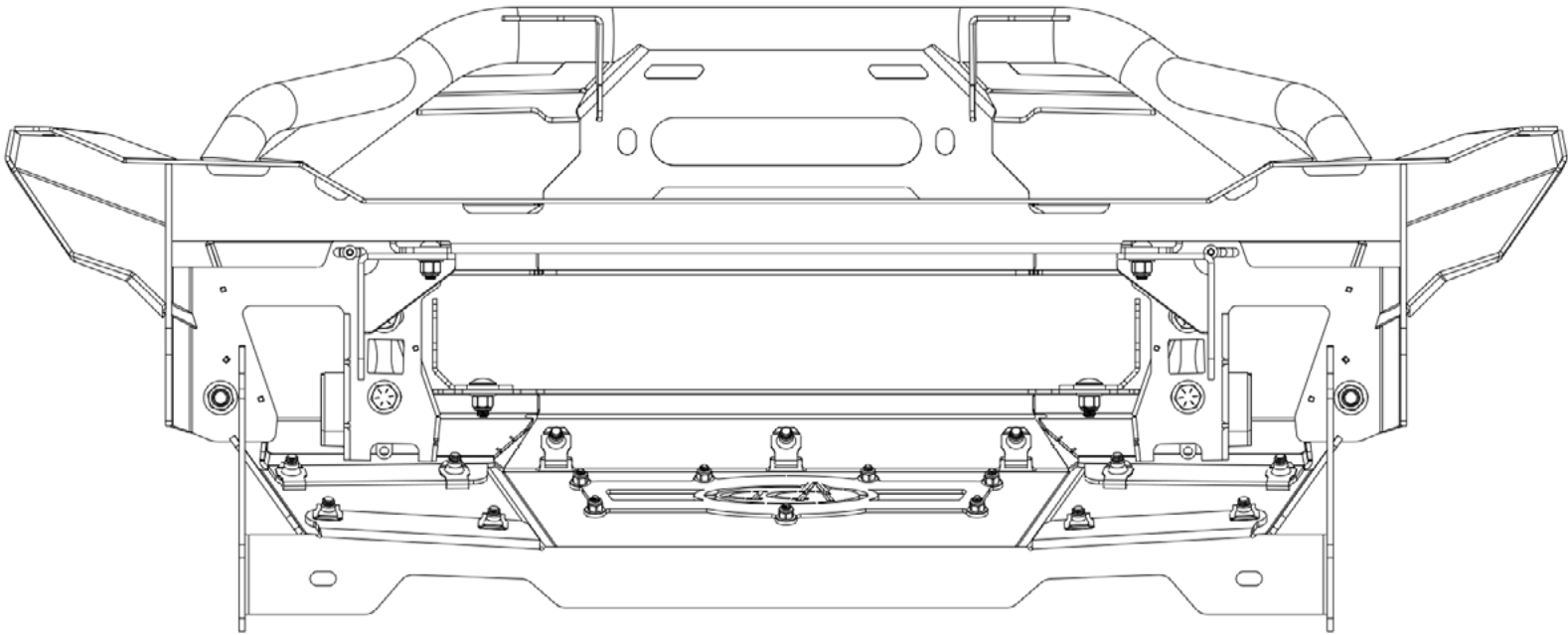
INSTALLATION GUIDE

PHANTOM STUBBY FRONT BUMPER 18-UP/JEEP JL

INSTALL

STEP 11

Install the provided **(B1)** 3/8" U-nuts onto the bumper as shown below.



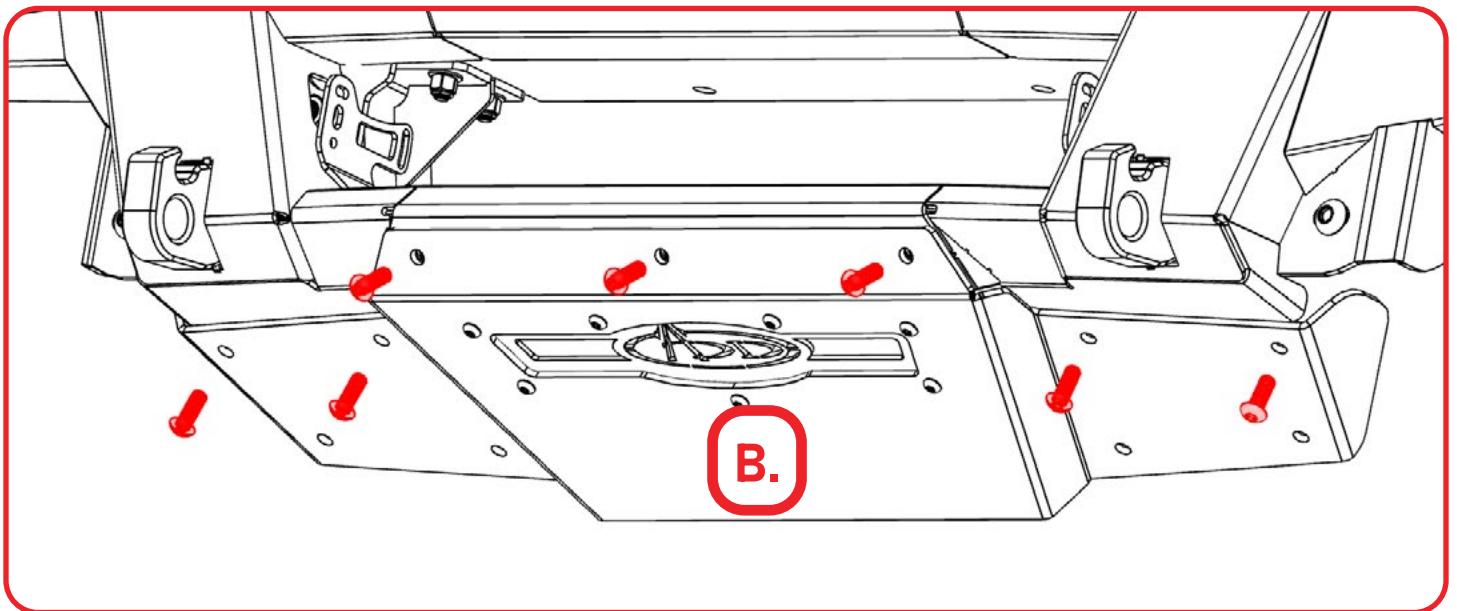
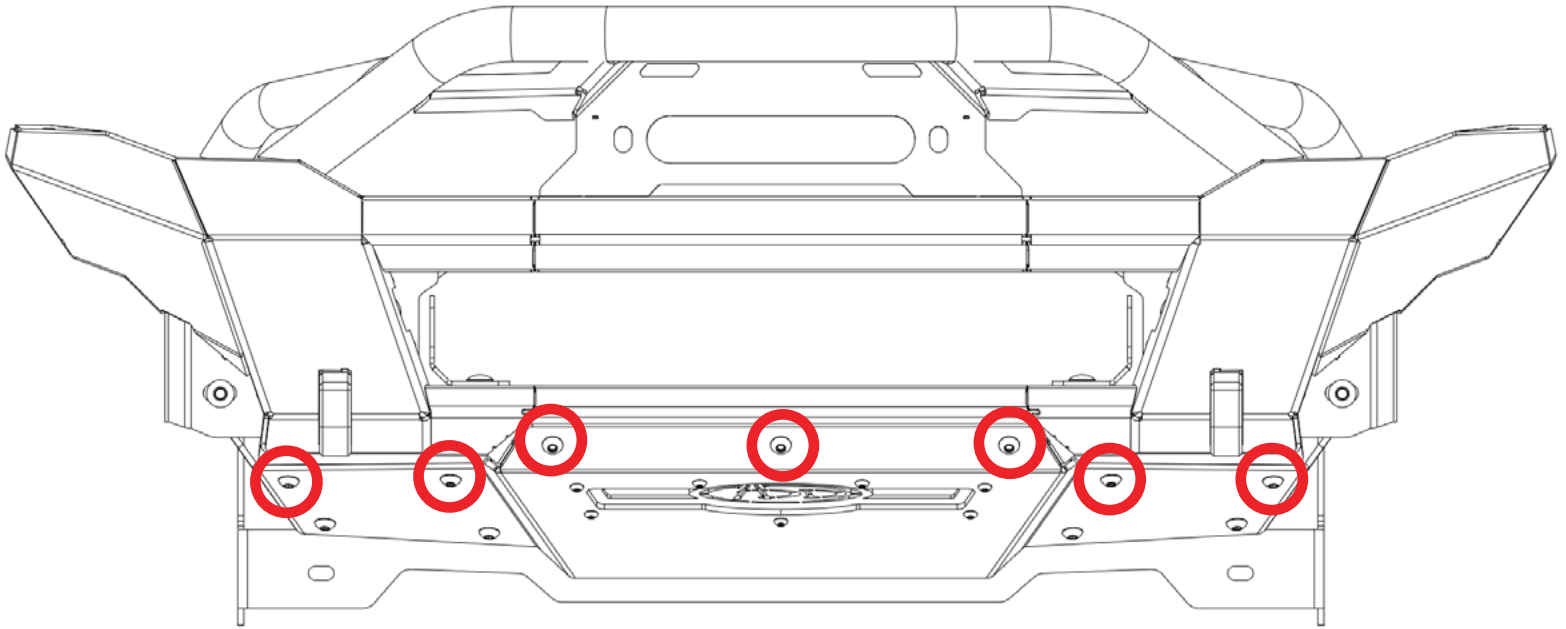


PHANTOM STUBBY FRONT BUMPER 18-UP/JEEP JL

INSTALL

□ STEP 12

Install the skid plate to the bumper with the provided **(B)** 3/8" hardware using a (7/32 allen).

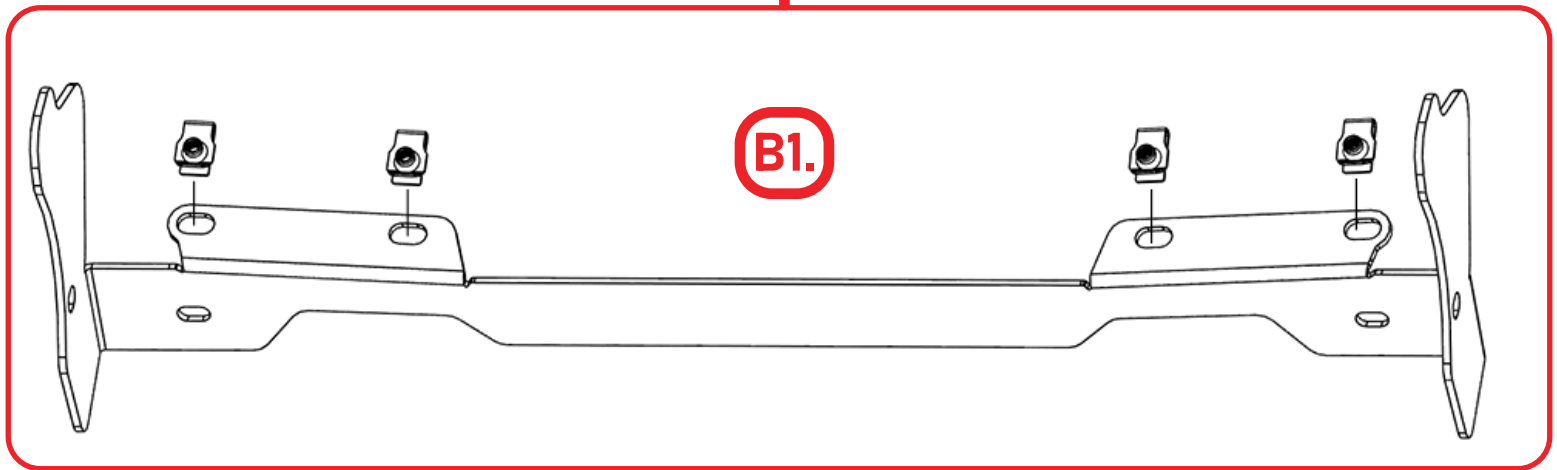
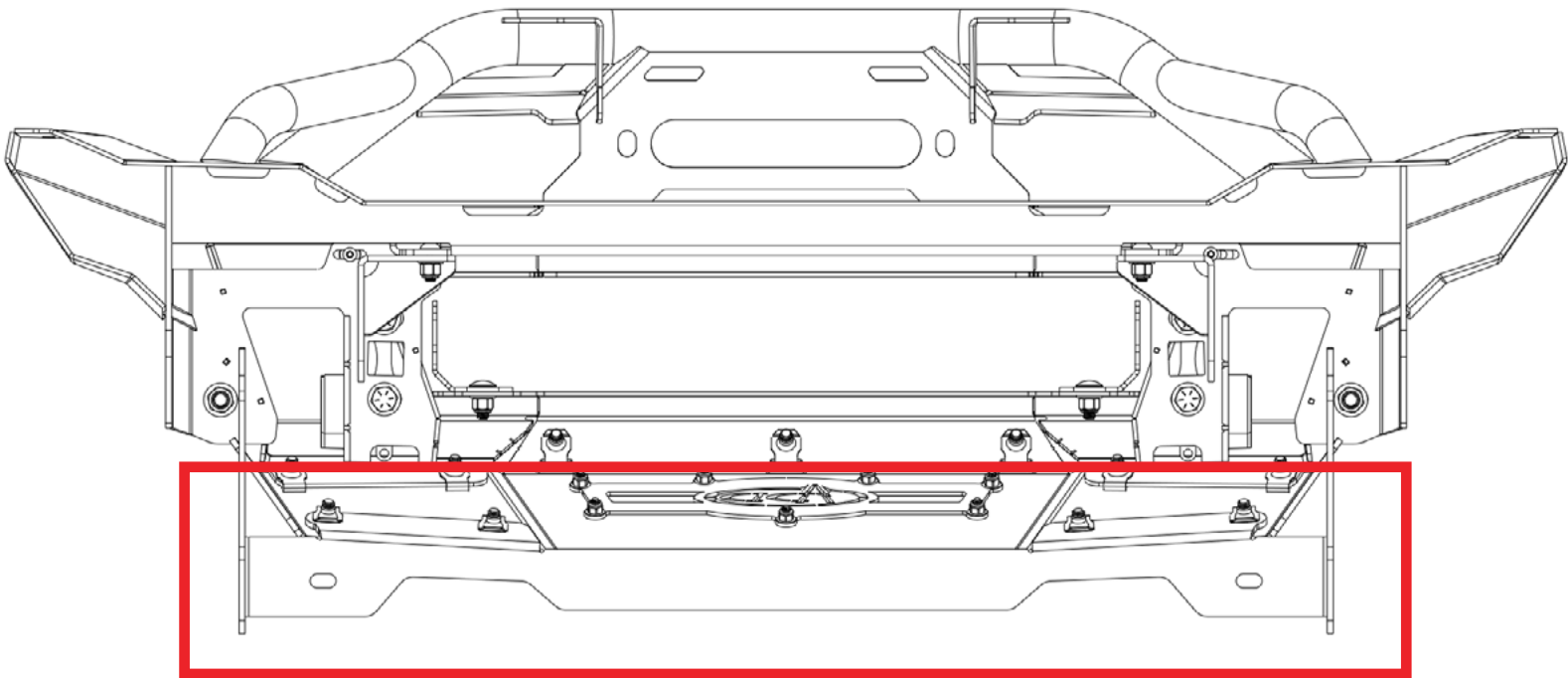


PHANTOM STUBBY FRONT BUMPER 18-UP/JEEP JL

INSTALL

□ STEP 13

Next, install the **(B1)** u-nuts to the skid plate mount as shown below.





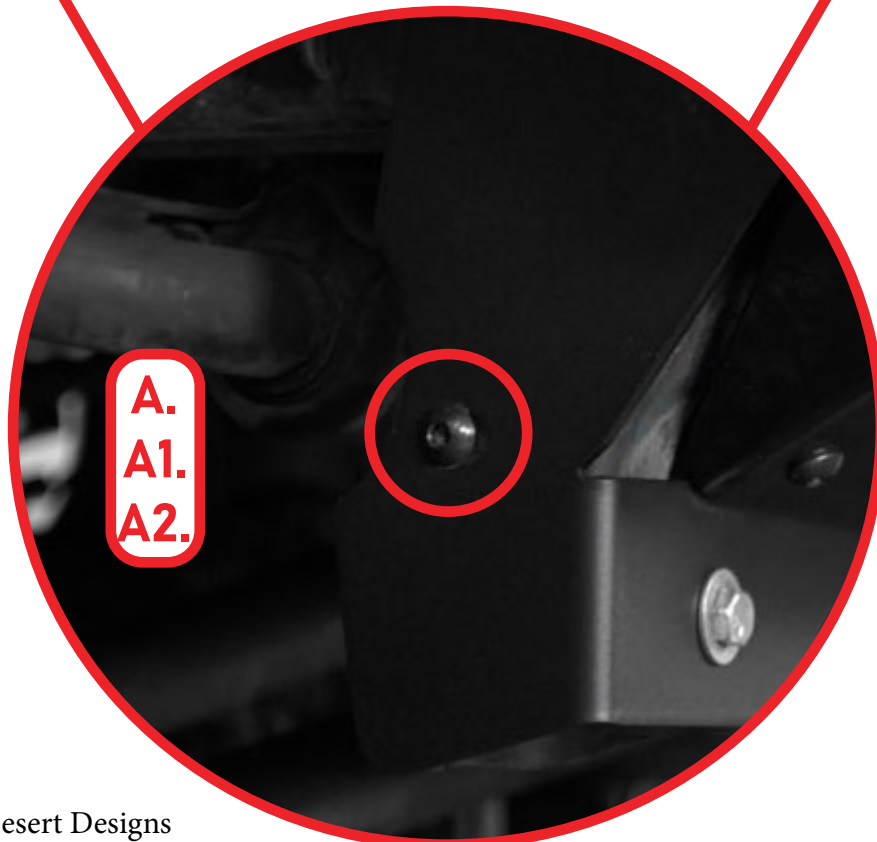
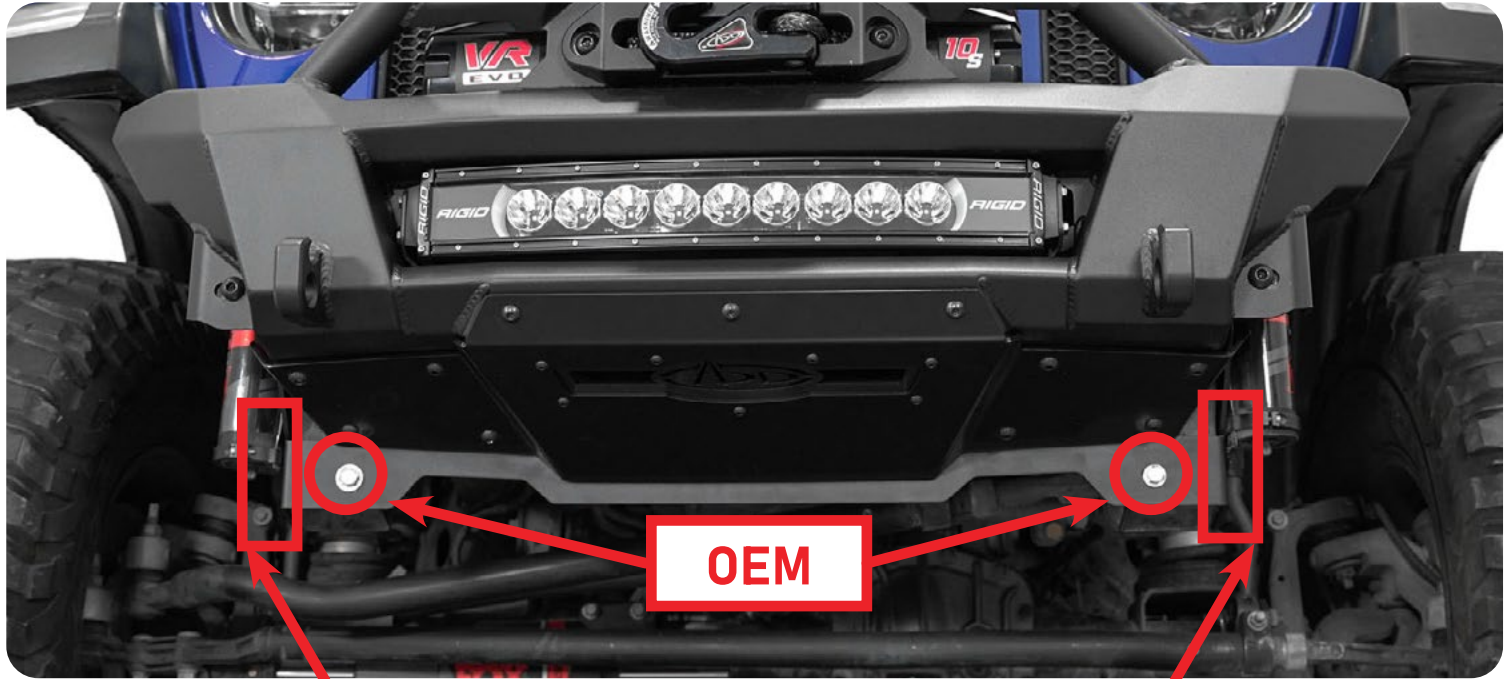
INSTALLATION GUIDE

PHANTOM STUBBY FRONT BUMPER 18-UP/JEEP JL

INSTALL

□ STEP 14

Install the skid plate bracket to the vehicle using the OEM hardware removed from **step 4**. Then install the provided **(B, C1, C2)** 3/8" hardware to the side as shown below using a (7/32 allen) and a (9/16 wrench).

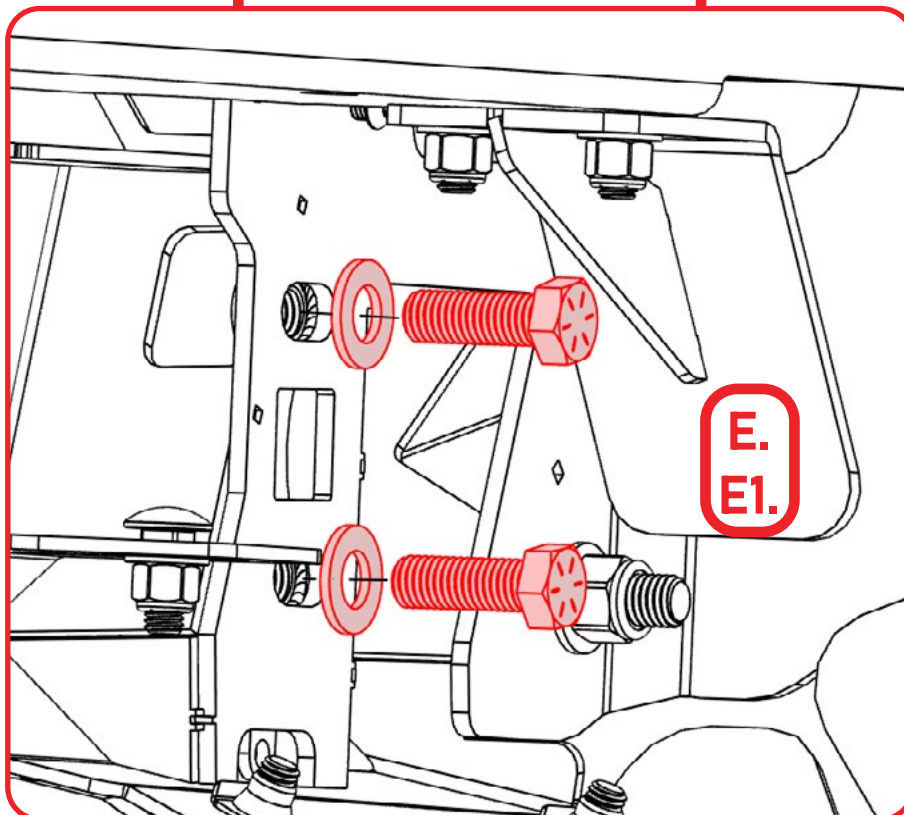


PHANTOM STUBBY FRONT BUMPER 18-UP/JEEP JL

INSTALL

□ STEP 15

With an helping hand, you can now install the bumper. Using the provided (E, E1) 1/2" hardware install into the brackets from step 8 using a (3/4" socket).





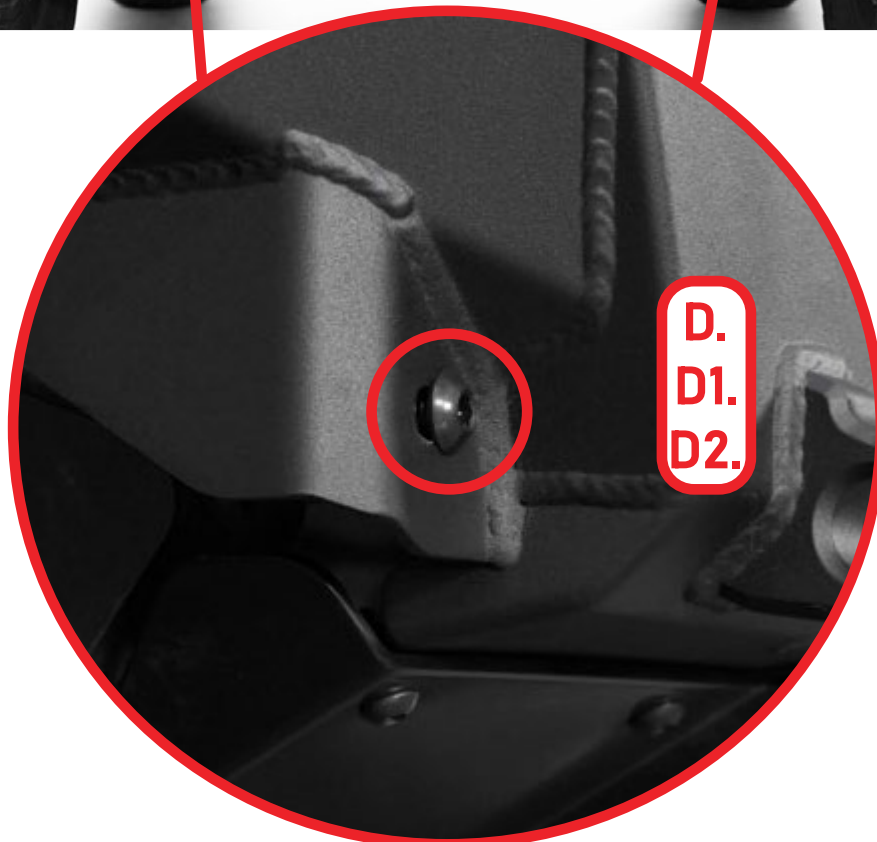
INSTALLATION GUIDE

PHANTOM STUBBY FRONT BUMPER 18-UP/JEEP JL

INSTALL

STEP 16

Install the provided (D, D1, D2) 1/2" hardware using a (5/16 allen) and a (3/4 wrench).

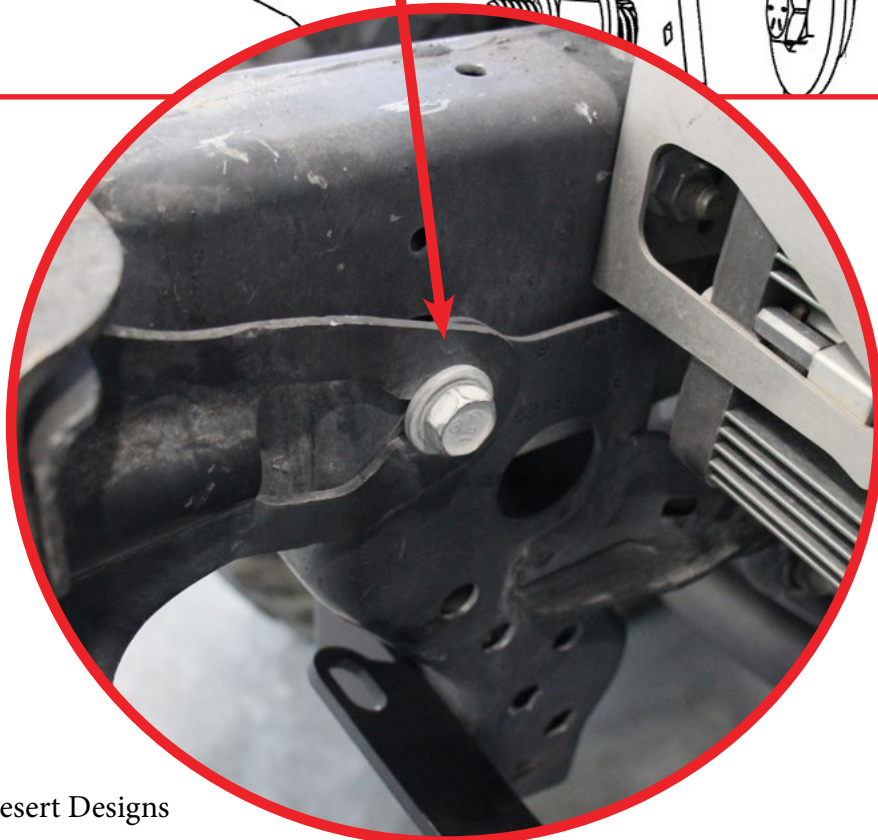
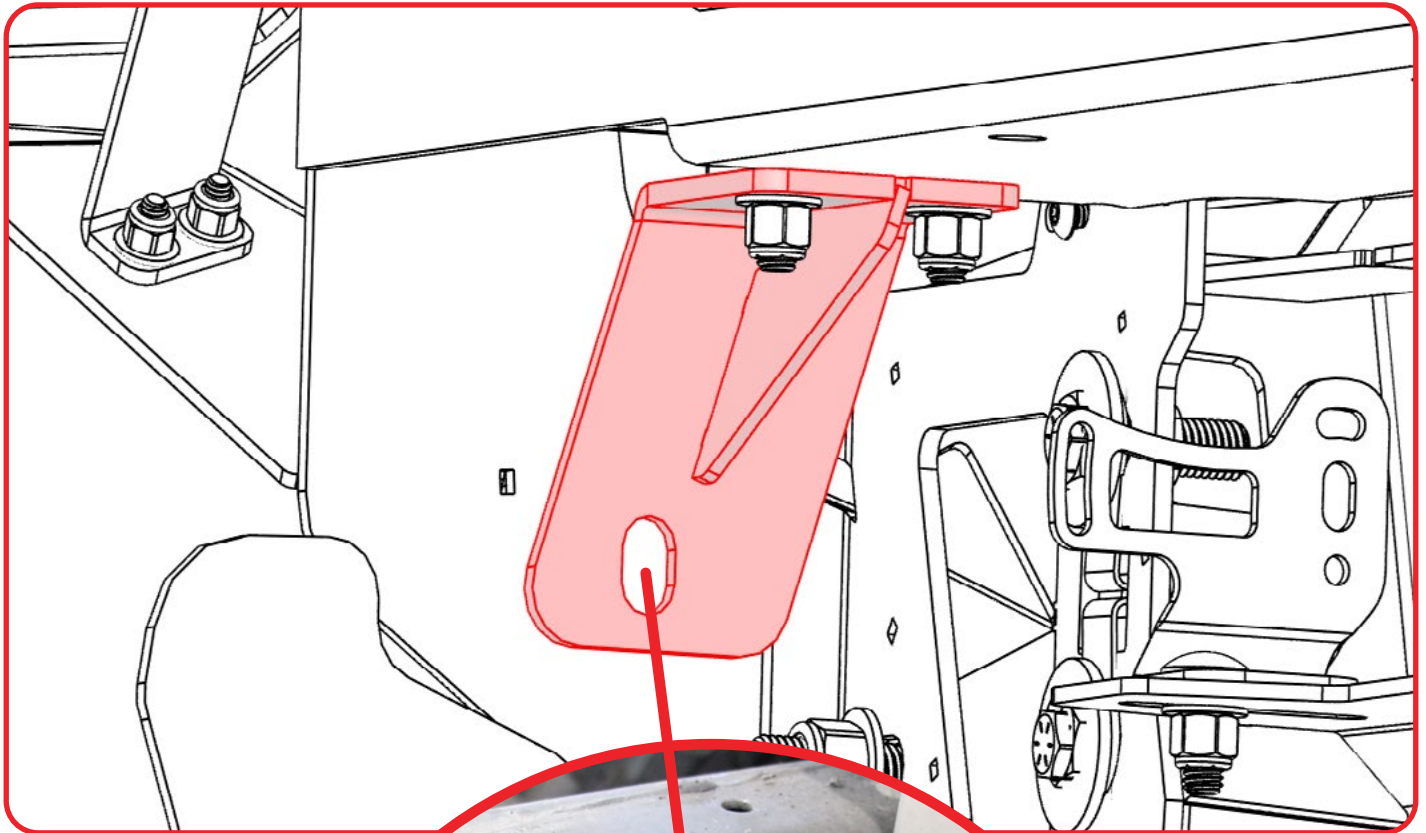


PHANTOM STUBBY FRONT BUMPER 18-UP/JEEP JL

INSTALL

□ STEP 17

Install the hardware removed from **step 5** for the brackets installed on **step 11** using a (16mm socket).





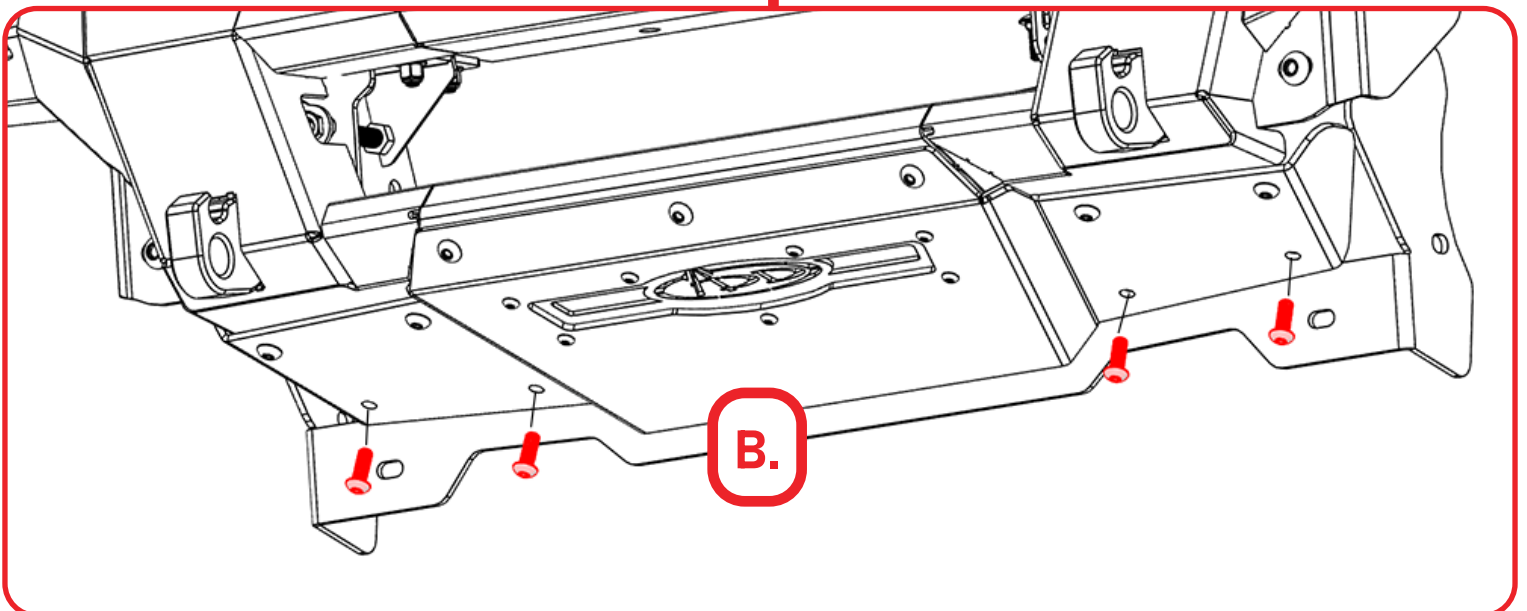
INSTALLATION GUIDE

PHANTOM STUBBY FRONT BUMPER 18-UP/JEEP JL

INSTALL

□ STEP 18

Install the skid plate to the skid plate bracket installed on **step 15** with the provided **(B)** 3/8" hardware using a (7/32 allen).





INSTALLATION GUIDE

PHANTOM STUBBY FRONT BUMPER 18-UP/JEEP JL

FINAL

□ STEP 19

Stand back and enjoy your new ADD Phantom Stubby Front Bumper.

Check and re-tighten all mounting bolts after 100 miles and periodically thereafter.



THIS PRODUCT IS PROTECTED BY ONE OR MORE U.S. PATENTS
WWW.ADDICTIVEDESERTDESIGNS.COM/PATENTS

FOR ADDITIONAL SUPPORT OR TECHNICAL QUESTIONS,
PLEASE CALL 480-671-0820 OR
EMAIL INFO@ADDICTIVEDESERTDESIGNS.COM