

HEAVY DUTY BUMPER INSTALLATION AL-FBM99DGN-RT

2010-2019 Ram HD W/WO SENSORS NO WINCH

7/16/20

Hardware Kit Includes:

- (1) 8 – M12 Plastic Push Nuts
- (2) 4 – M8-25mm Hex Head Bolts
- (3) 4 – M8 Flat Washers (24mm OD)
- (4) 4 – M8 Flanged Hex Nuts

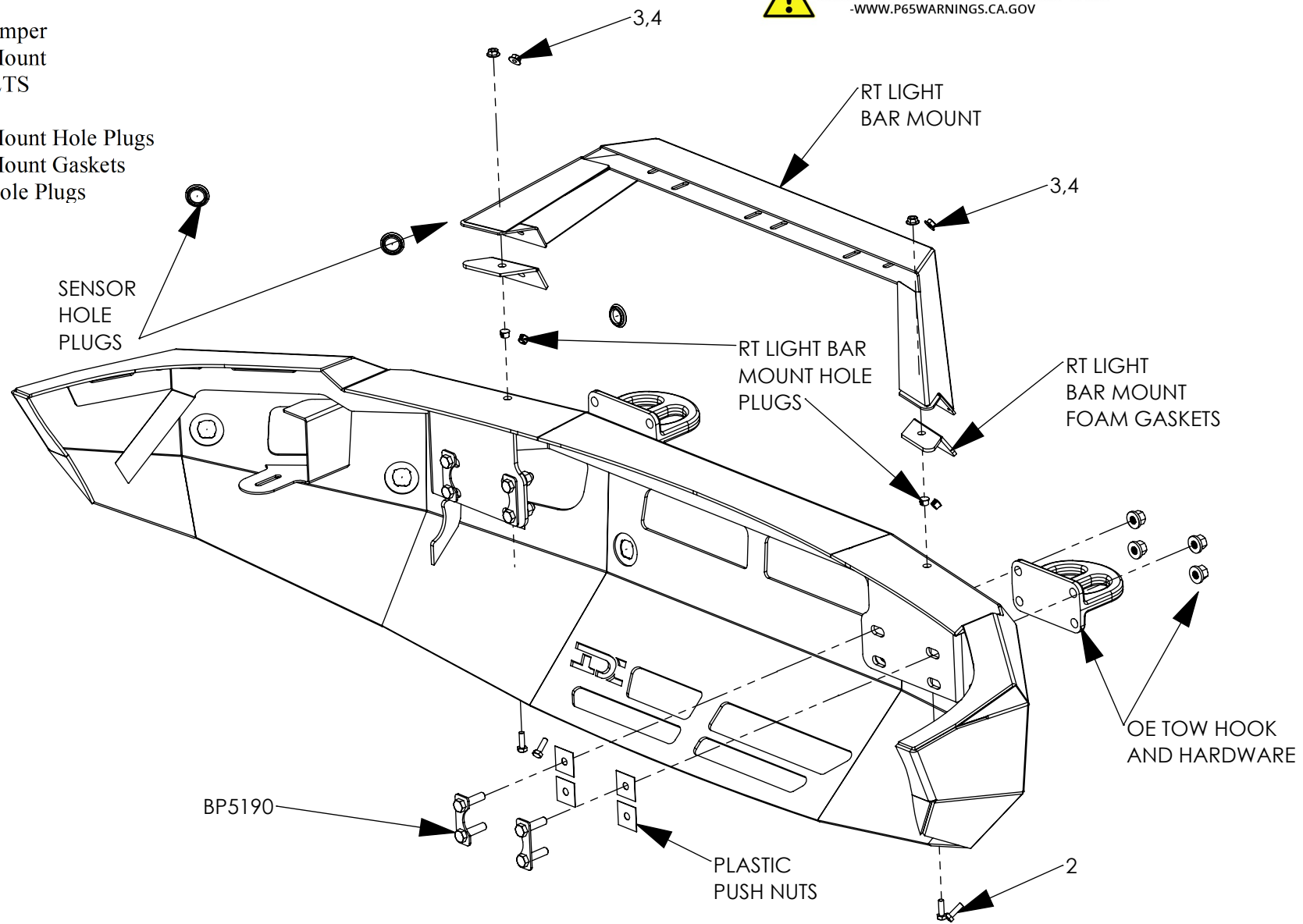
DISCLAIMER: USE ONLY COMPONENTS AND HARDWARE SUPPLIED BY ICI. NO SUBSTITUTIONS.

LOOSE FIT ALL COMPONENTS. DO NOT TIGHTEN UNTIL ALL COMPONENTS ARE INSTALLED AND ADJUSTED.

Components List:

- (1) – (1) Heavy Duty Bumper
- (2) – (1) RT Light Bar Mount
- (3) – (4) BP5190 T-BOLTS
- (4) – (6) Sensor Plugs
- (5) – (4) RT Light Bar Mount Hole Plugs
- (6) – (2) RT Light Bar Mount Gaskets
- (7) – (2) License Plate Hole Plugs

ATTN: STATE OF CALIFORNIA CONSUMERS
WARNING: CANCER AND REPRODUCTIVE HARM
 -WWW.P65WARNINGS.CA.GOV



Visit the ICI Website for other exciting accessories for your vehicle. www.icionline.com

HEAVY DUTY BUMPER INSTALLATION AL-FBM99DGN-RT

2010-2019 Ram HD W/WO SENSORS NO WINCH

5/16/20

- STEP 1.** Before you begin the installation of your new Alumilite bumper, lay out all components and inspect the hardware kit for completeness. Read instructions completely and make sure you fully understand the installation process. If you have any questions regarding the installation, please call ICI customer service @ 1-800-626-8746.
- STEP 2.** Open the vehicle hood and disconnect the negative battery terminal.
- STEP 3.** Begin by unplugging the fog lamp plug and sensor wiring harness from the rear of the bumper on the driver side (if so equipped).
- STEP 4.** Next, unbolt and remove the tow hooks from the inner bumper support. Remove the four bolts on each side attaching it to the inner bumper assembly, save the flanged nuts for reinstallation with the new Alumilite Bumper.
- STEP 5.** Now, unbolt and remove the factory bumper assembly. Using a $\frac{3}{4}$ " or 19mm wrench, remove the eight (four per side) inner retaining nuts on the back side of the bumper and on either side of the frame rails. With help and the eight nuts removed, carefully slide the bumper forward and away from the frame, put aside and out of the way.
- STEP 6.** ICI recommends that you loosen the inner factory frame brackets prior to installation of your new Alumilite bumper. This will allow for more adjustability once the bumper has been installed. Leave these brackets slightly loose until after the bumper is completely installed and properly adjusted.
- STEP 7.** Next mount the BP5190 double T-bolts into the factory tow hook/inner frame bracket locations. Slide the T-bolt in from the rear of the bracket with the notched side facing the frame and attach using the M12 plastic push-nuts supplied in the hardware kit.
- STEP 8.** If you would like the RT light bar mount, install it on the bumper now using the provided M8 hardware and foam insulators. Otherwise use the provided plugs to fill the holes in the bumper where the RT light bar mounts.
- STEP 9.** With help, raise the Alumilite bumper up and align the inner bracket on the bumper with the BP5190 T-bolts, slide the bumper onto the T-bolt and hold in place. Next slide the factory tow hooks onto the BP5190 T-bolt and attach using the M12 Factory flange nuts removed in step #4. Leave slightly loose.
- STEP 10.** Now adjust the Alumilite Bumper up and down and from side to side until you achieve equal spacing. The bumper should sit approximately 1/8" below the headlamps, and evenly outside of the fender on either side of the vehicle. Once you are satisfied with the fitment fully tighten all mounting hardware, torque hardware.
- STEP 11.** If equipped with front sensors carefully remove sensors and sensor bezels from factory bumper. Install factory sensor bezels and sensors into Alumilite bumper and plug in the sensor wiring harness. If not equipped with front sensors, use provided plastic plugs to fill sensor cut outs in bumper.
- STEP 12.** Install lights into light pocket locations provided and wire them to the specified manufacture specs. Test and adjust lighting, then fully tighten mounting hardware.