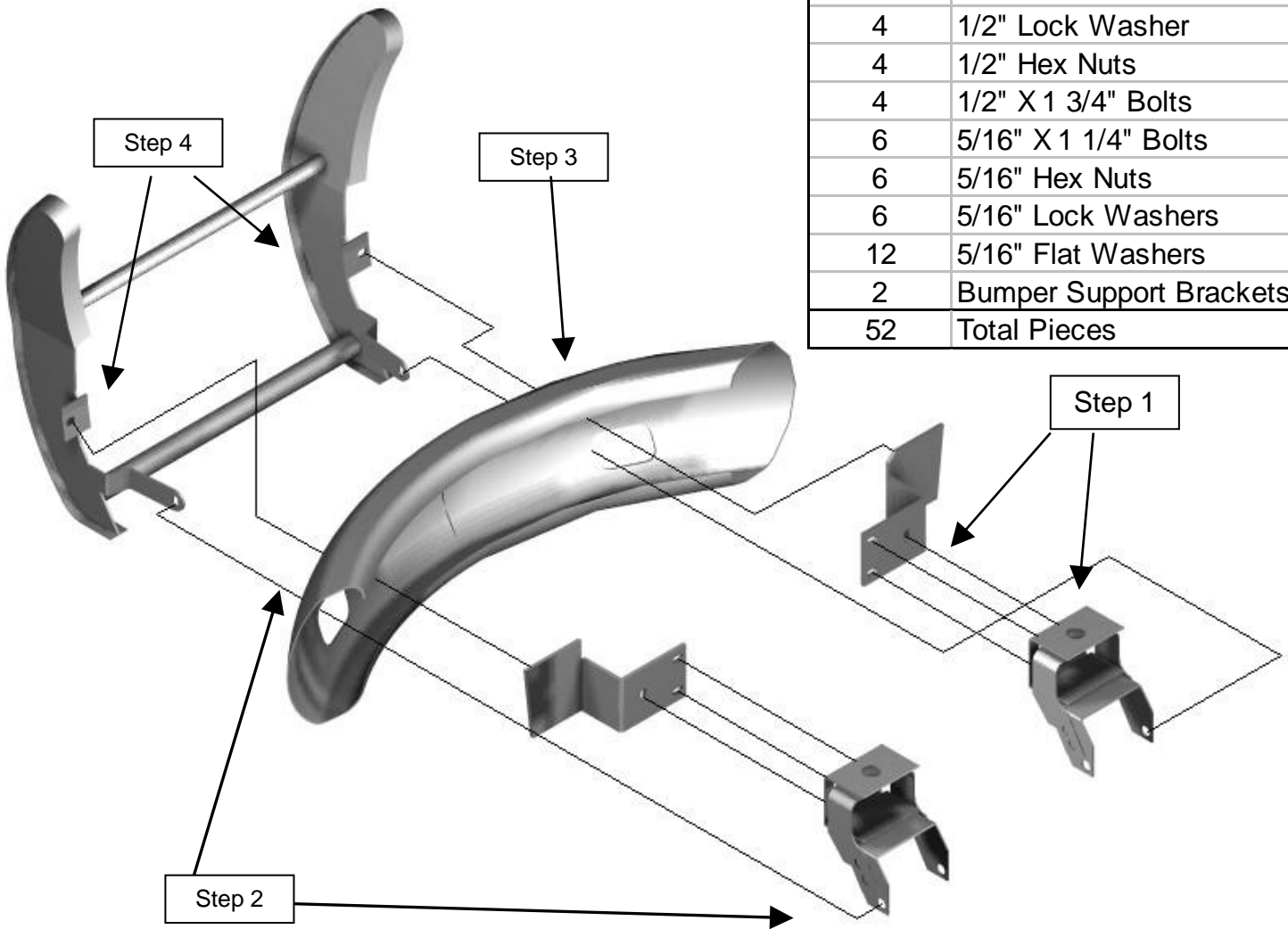


**2011-2014 Chevrolet 2500HD-3500HD Grille Guard
Installation Instructions. Part # 200-21-1006, XGG
Part # 700-21-1006**



Total Bolt Bag Contents Packaged

Quantity	Description
8	1/2" Flat Washers
4	1/2" Lock Washer
4	1/2" Hex Nuts
4	1/2" X 1 3/4" Bolts
6	5/16" X 1 1/4" Bolts
6	5/16" Hex Nuts
6	5/16" Lock Washers
12	5/16" Flat Washers
2	Bumper Support Brackets
52	Total Pieces



Step 1: Using a 13mm wrench remove 3 bolts on each side that connect frame caps to chrome bumper. You will discard the factory plate with clips. Install Frontier bumper support bracket behind bumper and bolt to the frame holes where this plate was located. Tighten Frontier support brackets using 5/16" bolts supplied. (Hint – Brackets should fit snug against the back of the chrome bumper.

Step 2: Remove outside tow hook bolt (HINT: use the bolt that goes all the way through the frame). Hold Grille Guard up to truck and measure loops to body and position grille guard evenly. Mark holes on bumper that you will drill next.

Step 3: Align grille guard to truck and drill 1/2 inch hole through chrome bumper and bumper support bracket installed in step 1.

Step 4: Insert 1/2 X 1-3/4 inch bolts through grille guard, chrome bumper, and bumper support bracket. Tighten.

Step 5: Re-Install tow hook bolt on both feet of the Frontier Grille Guard to frame. If truck does not have factory tow hooks use the 1/2" X 1 3/4" bolts provided to attach foot of GG.

Step 6: Check alignment of grille guard to truck and tighten all bolts.