

INSTALLATION MANUAL

GGF24MBL1

Level of Difficulty

Easy

Installation difficulty levels are based on time and effort involved and may vary depending on the installer level of expertise, condition of the vehicle and proper tools and equipment.

Parts List

Qty	Description
1	Mounting bracket, driver-side
1	Mounting bracket, passenger-side
1	Grill insert
6	Carriage bolt, 1/2"-13 x 1-1/2", grade 5, black
6	Lock nut, 1/2"-13, black
6	Flat washer, 1/2", black
4	Hex bolt, 12mm x 45mm, grade 10.9
4	Flat washer, 1/2"
4	Lock washer, 1/2"
7	Button head bolt, 1/4"-20 x 3/4"
7	Keyp nut, 1/4"-20
2	Round tube plug
2	Button plug
2	GM sensor pigtail
1	Grill guard

Tools Required

Ratchet	Torque wrench
SAE socket set	SAE wrenches
Metric socket set	Metric wrenches
Socket extension (optional)	Allen wrench, 5/32"

Torque Specifications

1/2" bolt	75 ft-lbs.
M12 bolt	59 ft-lbs.

Use above torque setting unless otherwise noted

Product Registration and Warranty

Ranch Hand stands behind our products with industry-leading warranties. To get copies of the product warranties, register your purchase or provide feedback, visit: warranty.curtgroup.com/surveys

Product Photo



NOTICE

Visit www.ranchhand.com for a full-color copy of this instruction manual, as well as helpful videos, guides and much more!

Before you begin installation, read all instructions thoroughly.

Proper tools will improve the quality of installation and reduce the time required.

Always disconnect the vehicle battery before removing sensors or disconnecting wiring harnesses. Ranch Hand is not responsible for sensor miscalibration or accidental deployment of airbags during installation.

Always mark the orientation of sensors prior to removal from the factory bumper. Many vehicle sensors are calibrated to a particular orientation, and reinstallation sideways or upside down will impact vehicle performance. A piece of masking tape, a grease pencil, or other mark to indicate the sensor's original orientation will help to ensure proper re-installation.

Periodic inspection of your product should be performed to ensure all hardware and / or components remain secure.

To help prevent damage to the product or vehicle, refer to the specified torque specifications when securing hardware during the installation process.

Be sure to inspect and test fit product before having it coated or painted. Ranch Hand will not be responsible for the cost of the coating if any problems with fit or finish are not noted and addressed beforehand.

Maintenance

Mild automotive detergent may be used to clean the product. Do not use dish detergent, abrasive cleaners, abrasive pads, wire brushes or other similar products that may damage the finish.

Step 1

Locate the vehicle battery in the engine compartment and disconnect the vehicle battery, making sure to fasten this wire down and away from the battery while completing the installation process.

⚠ CAUTION

Failure to disconnect the battery may result in accidental triggering of the impact sensors and unintentional deployment of the vehicle airbags.

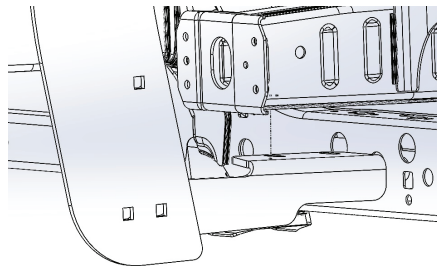
Step 2

Remove the tow hooks if equipped. If there are no tow hooks, remove the plastic insert covers.

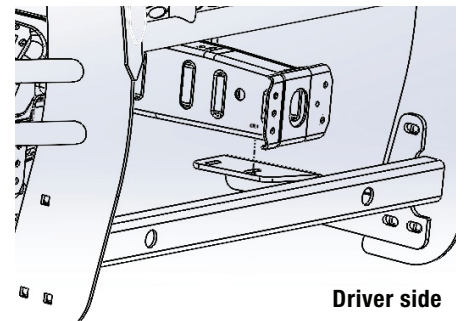


Step 3

Install the bottom brackets. On 4x4 models, reinstall the tow hooks using the factory bolts. On 4x2 models, use the 12mm bolts with washers and lock washers to install.



Driver side



Driver side

Step 4

Loosely mount the grill guard to the bottom brackets using black carriage bolts, washers, and nuts.

Carefully level the grille guard, then tighten all bolts.

Step 5

On vehicles without a camera, secure the small insert with 1/4" black button head bolts and nuts.

Step 6

On vehicles without sensors, insert plugs into the holes in the bottom channel.

Step 7

On vehicles with sensors, locate the two center sensors in the bumper and mark their orientation with a piece of masking tape and remove them from the bumper.

NOTICE

Mark the orientation of the sensors prior to removal to ensure correct re-installation. Failure to reinstall the sensors in the correct orientation may impact vehicle performance.

Step 8 (For vehicles with sensors)

Route the pigtails through the tow hook openings and plug the sensors into them.

Step 9 (For vehicles with sensors)

Insert the rubber grommets into the openings on the bottom channel.



Step 10 (For vehicles with sensors)

Insert the sensors into the grommets being careful to observe the proper orientation marked in step 7. If needed, wipe a small amount of WD-40 onto the grommets ease insertion of the sensor.



Step 11 (For vehicles with sensors)

Use the two black plugs to cover the original sensor holes in the factory bumper.



Step 12 (For vehicles with sensors)

Check that all wires are plugged in and tighten all hardware to the following specifications:

Torque M12 hardware to 59 ft-lb.
Torque 1/2" hardware to 75 ft-lb.
