

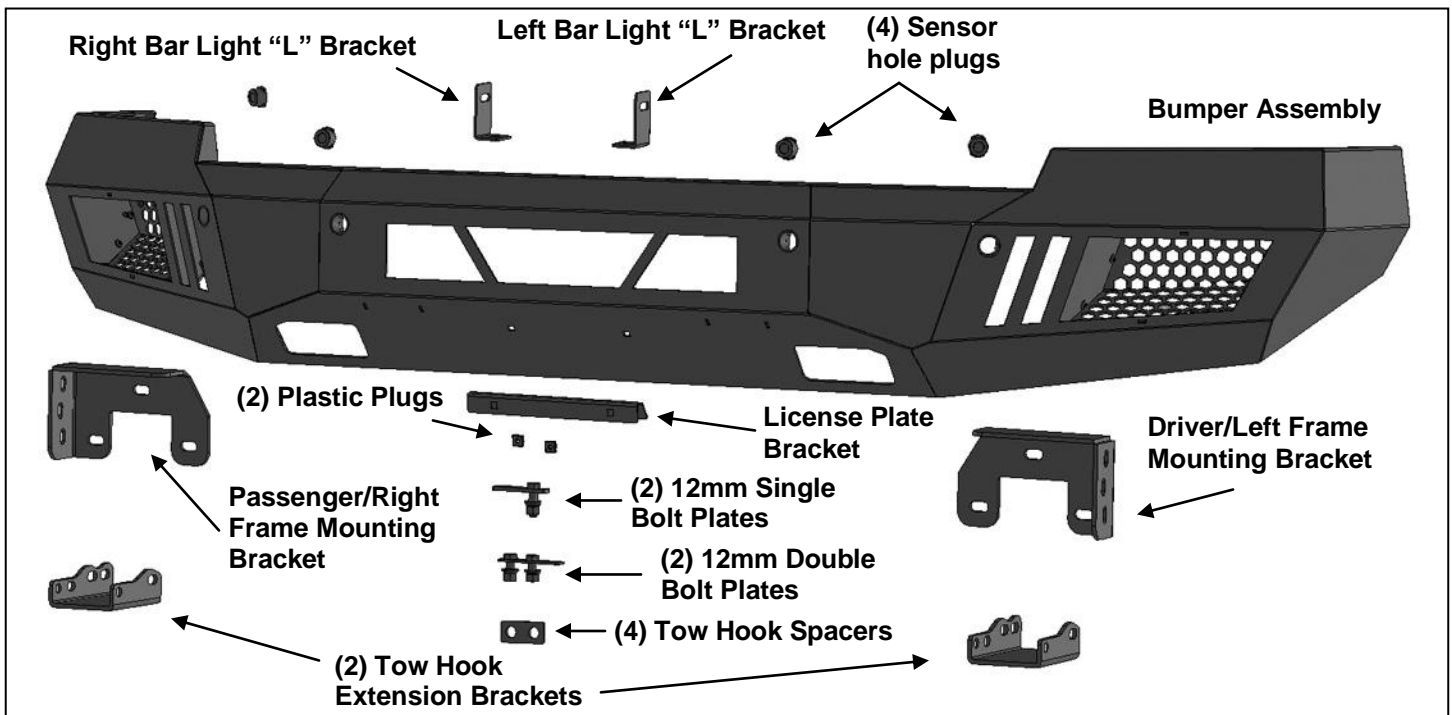
BODY ARMOR 4x4

**ECO-SERIES FRONT BUMPER
FOR CHEVY SILVERADO 1500 14-15
#GM-19335**

Body Armor 4x4
272 Corporate Terrace St.
Corona, CA 92879
951-808-0750
Customer Service hours:
M-TH: 7:30am to 4:30 PM Pacific Time
Friday: 8 AM – Noon Pacific Time

PARTS LIST:

1	LD1 Front Bumper Assembly	6	10-1.5mm x 35mm Hex Bolts
1	Driver/left Frame Mounting Bracket	12	10mm x 27mm OD x 3mm Flat Washers
1	Passenger/right Frame Mounting Bracket	6	10mm Lock Washers
2	Tow Hook Extension Brackets	6	10mm Hex Nuts
4	Spacers (tow hooks)	2	8mm x 16mm Hex Bolts
1	License Plate Bracket	2	8mm x 25mm Hex Bolts
2	Plastic Plugs for License Plate	2	8mm Hex Nut
4	Sensor Plugs	4	8mm Lock Washer
1	Driver/left "L" Bracket (center LED light)	6	8mm x 24mm x 2mm Flat Washers
1	Passenger/right "L" Bracket (center LED light)	2	6mm x 20mm Button Head Bolts
2	12mm x 30mm Double Bolt Plates	4	6mm x 18mm x 1.6 Flat Washers
2	12mm x 35mm Single Bolt Plates	2	6mm Nylon Lock Nuts
6	12mm x 24mm OD x 2.5mm Flat Washers	1	6mm Wrench
6	12mm Lock Washers	4	4mm x 10mm Socket Head Screws
6	12mm Hex Nuts	1	4mm Wrench
		10	Nylon Wire Ties



PROCEDURE:

REMOVE CONTENTS FROM BOX. VERIFY ALL PARTS ARE PRESENT. READ INSTRUCTIONS CAREFULLY BEFORE STARTING INSTALLATION. ASSISTANCE IS HIGHLY RECOMMENDED TO AVOID POSSIBLE INJURY OR DAMAGE TO THE VEHICLE.

1. Remove the license plate and bracket. On models with factory fog lights and/or bumper sensors, unplug the wiring harness leading to the bumper, **(Figure 1)**. Move harness away from bumper.
2. Next, locate and remove the screws attaching the ends of the plastic body panel, (facia), to the fenders. **NOTE:** Facia body panel fills the area between the headlights and the top of the bumper. From behind the bumper, release the clips attaching the facia body panel to the bottom of the grille and remove the panel. **(Figure 2)**.
3. Open the hood and remove the cover between the top of the radiator and the grille, **(Figure 3)**. Remove the bolts attaching the top and bottom of the grille and remove the grille.

4. From behind the bumper, remove the outer bumper supports on each side of the frame.
5. Place blocks or jack stands under the front bumper to support it during mounting bolt removal. Once the bumper has been safely supported, from above, remove the (4) large factory bumper bolts, (two per side), attaching the bumper assembly to the frame bracket bolted to the end of the frame, **(Figure 4)**. **WARNING!** Assistance is required to hold the bumper in place during bolt removal to prevent the bumper from falling. Carefully slide the bumper assembly with brackets off of the ends of the frame.
6. Once bumper has been removed, also remove the plastic brackets from the bottom of the headlight assemblies, **(Figure 5)**. Reinstall the grille and top cover removed in **Steps 2 & 3**.
7. Remove both bumper brackets and tow hooks from the ends of the frame, **(Figure 6)**.
8. Select the driver side Frame Mounting Bracket. Reuse the factory bumper bolts to attach the Frame Bracket to the threaded bumper mount, **(Figure 7)**. Do not fully tighten hardware at this time.
9. Repeat **Step 8** to install the passenger side Frame Bracket.

On models without tow hooks, skip to Step 13.

10. Next, select (1) Single Bolt Plate and (1) Double Bolt Plate, **(Figure 8)**. Insert the Bolt Plates into the open end of the frame, with the long end on the plate in first toward the back. Select (1) Tow Hook Extension Bracket. Slide the Bracket over the end of the frame. Line up the slots in the Bracket with the factory tow hook mounting holes. Secure the Bracket to the Bolt Plates with (3) 12mm Flat Washers, (3) 12mm Lock Washers and (3) 12mm Hex Nuts, **(Figure 9)**. Leave loose at this time.
11. Select (1) tow hook. Place the tow hook on top of the Extension Bracket. Slide (1) Spacer Plate between each side of the tow hook and the Bracket. Reuse the factory hardware to attach the tow hook to the Extension Bracket, **(Figure 10)**. Push the tow hook, spacers and Extension Bracket in and fully tighten tow hook and extension bracket hardware only. Do not fully tighten Frame Bracket hardware at this time.
12. Repeat **Steps 10 & 11** to install the passenger side Extension Bracket and tow hook if equipped.
13. With assistance, position the Bumper Assembly up to and over the Frame Brackets. Temporarily support the weight of the Bumper. **WARNING:** To avoid possible injury or damage to the vehicle, do not proceed until the Bumper is fully and safely supported.
14. Line up the (3) holes in the driver side mounting plate on the back of the Bumper with the (3) slots in the Frame Bracket. Attach the Bumper to the Bracket with the included (3) 10mm x 35mm Hex Bolts, (6) 10mm Flat Washers, (3) 10mm Lock Washers and (3) 10mm Hex Nuts, **(Figures 11 & 12)**. Do not fully tighten hardware at this time. Repeat this **Step** to attach the passenger side of the Bumper to the Frame Bracket.
15. Level and adjust the bumper and fully tighten all hardware.

Models without bumper sensors:

- a. Select the included (4) Rubber Plugs.
- b. From behind bumper, push plugs into sensor mounting holes, **(Figure 13)**.

Models with bumper mounted sensors:

- a. Push the sensor into the mounting socket in the back of the bumper.
 - b. Secure each sensor to the socket with (2) 4mm x 10mm Button Head Screws, **(Figure 13)**. **IMPORTANT:** Sensors fit snug in sockets. The 4mm Screws are used to apply slight pressure to lock the sensors in place. Tighten both screws evenly until they touch the sensor body only. Do not overtighten screws or damage to sensors will result.
16. If front license plate is required, attach the License Plate Bracket to the holes in the bumper with the included (2) 6mm x 20mm Button Head Screws, (4) 6mm Flat Washers and (2) 6mm Nylon Lock Nuts. Insert (2) Plastic Plugs into the square holes in the Bracket. Reuse the factory screws to attach the license plate to the plastic plugs, **(Figure 14)**.
 17. **Center LED light installation** as supplied with bumper or sold separately.
 - a. Select the L/R "L" Brackets, **(Figure 15)**. Attach the Brackets to the top of the (2) mounting tabs welded onto the back of the bumper with the included 8mm x 25mm Hex Bolts, (4) 8mm Flat Washers, (2) 8mm Lock Washers and (2) 8mm Hex Nuts. Leave loose at this time.
 - b. Attach the LED light assembly to the "L" Brackets with the included (2) 8mm x 16mm Hex Bolts, (2) 8mm Lock Washers and (2) 8mm Flat Washers. Do not fully tighten hardware at this time. **IMPORTANT:** "L" Brackets are designed for 8mm light mounting hardware only. Modify "L" Brackets

if necessary or use brackets supplied by your light manufacturer if possible to install hardware larger than 8mm.

c. Follow light manufacturer's instructions to properly wire the light.

18. LED light installation at ends of bumper as supplied with bumper or sold separately.

a. Insert light into opening and up to mounting slots. Check for clearance between front and back of light. If necessary, remove the screen from the back of the opening, **(Figure 16)**.

b. Follow the light manufacturer's instructions to attach (1) light to the center slot or (2) lights to the inner and outer slots in the top of the light opening. **IMPORTANT:** On two light systems with (1) flood and (1) spot light per side, attach the flood light to the outer and the spot light to the inner slot.

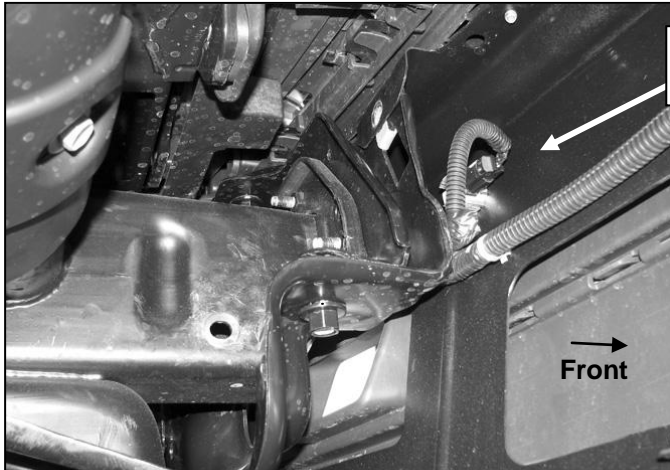
c. Repeat the above steps for passenger side light installation.

d. Follow light manufacturer's instructions to properly wire the light.

19. Do periodic inspections to the installation to make sure that all hardware is secure and tight.

To protect your investment, wax this product after installing. Regular waxing is recommended to add a protective layer over the finish. Do not use any type of polish or wax that may contain abrasives that could damage the finish. Mild soap may be used to clean the Front Bumper assembly.

Driver Side Installation Pictured



Unplug sensors and fog lights if equipped

(Fig 1) Unplug sensors, fog lights and move wiring harness away from bumper before removal

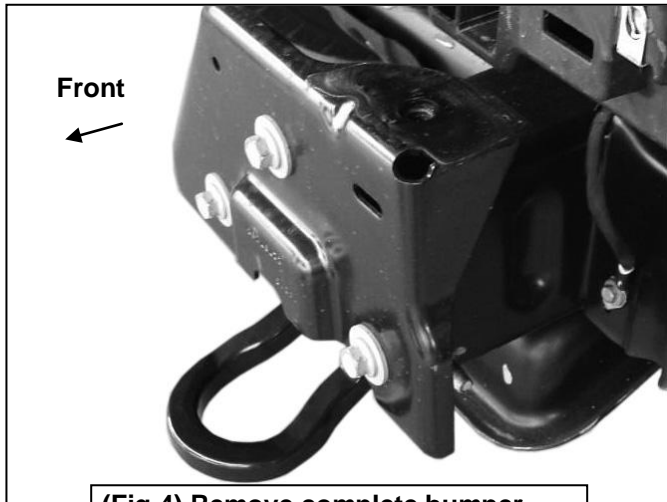


(Fig 2) From behind bumper, release clips along the center and the hardware at the fenders attaching the plastic fascia panel (arrow) to top of bumper. Remove fascia panel to access bumper hardware



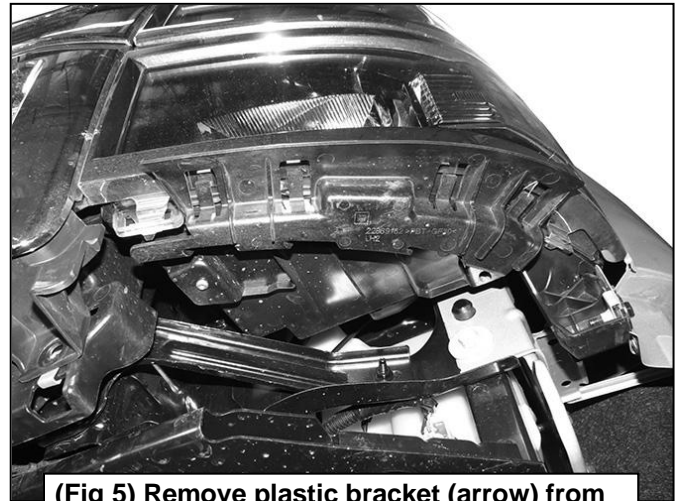
(Fig 3) Remove plastic cover from top of radiator (arrow). Temporarily remove grille

Driver Side Installation Pictured

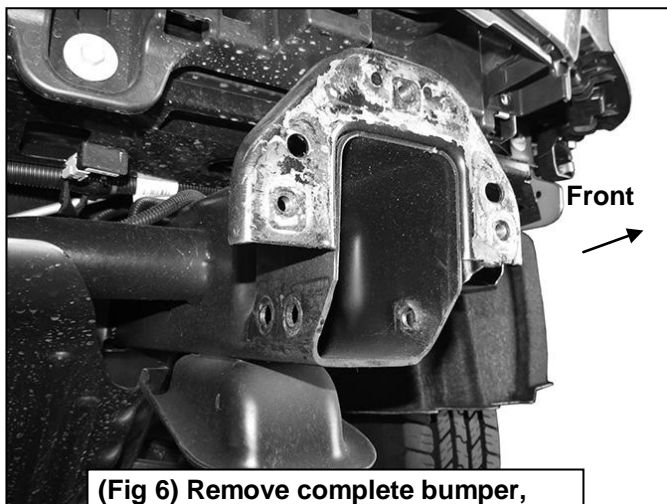


(Fig 4) Remove complete bumper, inner bumper bracket and tow hooks

WARNING! Do not crawl under bumper unless the bumper is properly supported on blocks or stands or the bumper may fall.



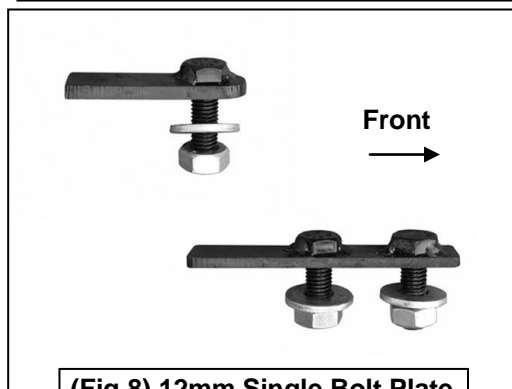
(Fig 5) Remove plastic bracket (arrow) from bottom of headlight (driver/left side pictured)



(Fig 6) Remove complete bumper, inner bumper bracket and tow hooks



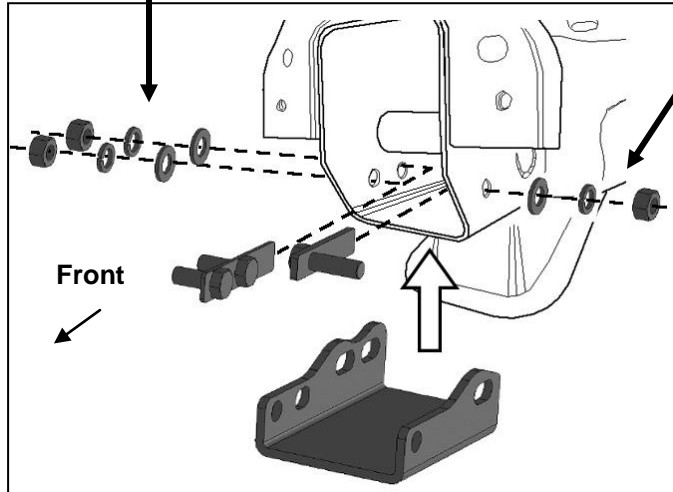
(Fig 7) Reuse factory hex bolts to attach the driver/left Frame Bracket to frame mount



(Fig 8) 12mm Single Bolt Plate and 12mm Double Bolt Plate

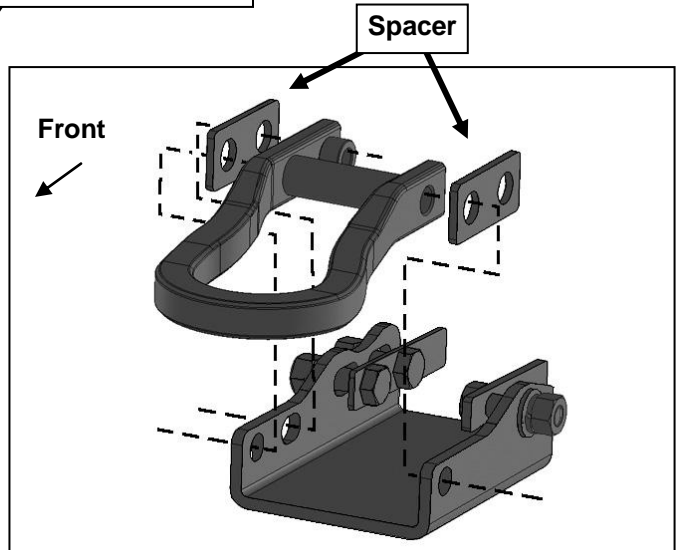
Driver Side Installation Pictured

- Double Bolt Plate
- (2) 12mm Flat Washers
- (2) 12mm Lock Washers
- (2) 12mm Hex Nuts



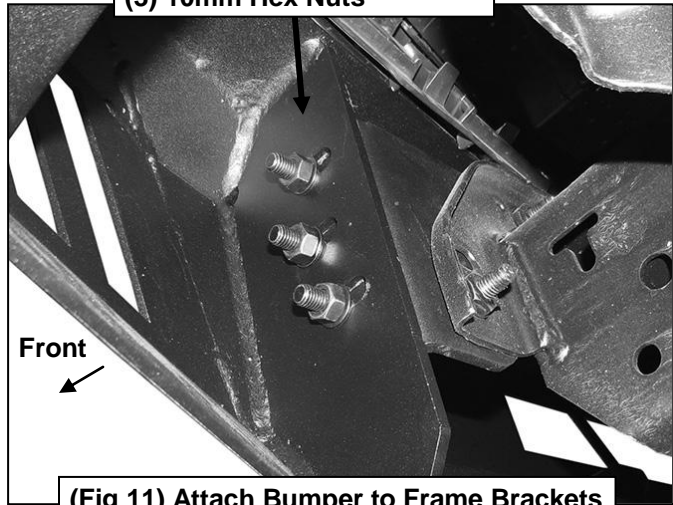
(Fig 9) Insert long end on Bolt Plates into open end of frame first then attach the Tow Hook Bracket (if equipped) to the frame and Bolt Plates

- Single Bolt Plate
- 12mm Flat Washer
- 12mm Lock Washer
- 12mm Hex Nut



(Fig 10) Slide Spacer between each side of tow hook. Attach tow hook to Bracket with factory hardware.

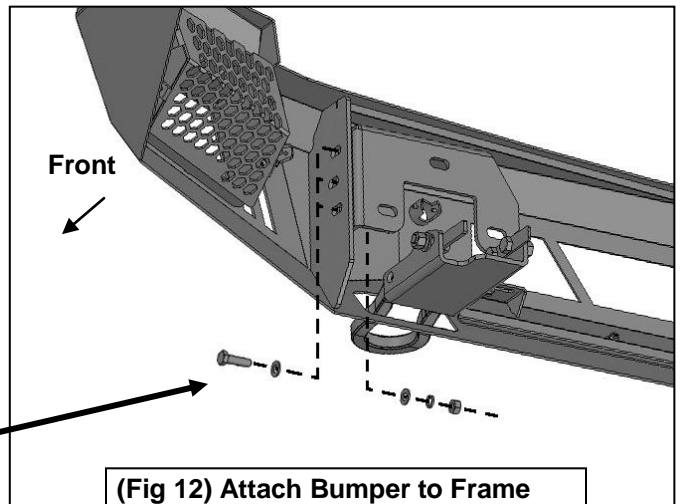
- (3) 10mm x 35mm Hex Bolts
- (6) 10mm Flat Washers
- (3) 10mm Lock Washers
- (3) 10mm Hex Nuts



(Fig 11) Attach Bumper to Frame Brackets

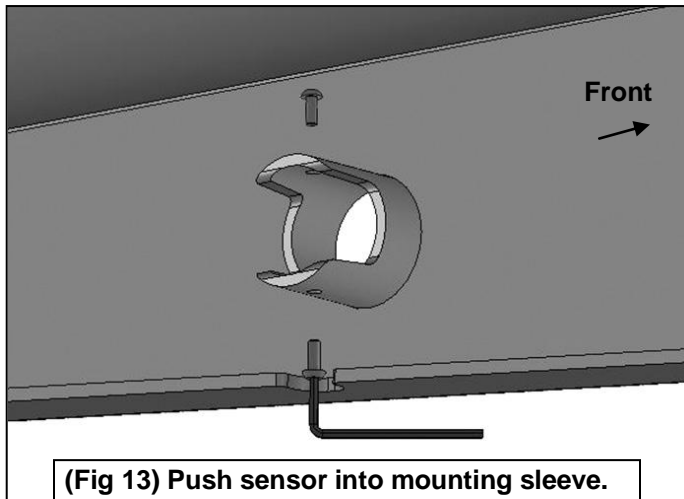
- (3) 10mm x 35mm Hex Bolts
- (6) 10mm Flat Washers
- (3) 10mm Lock Washers
- (3) 10mm Hex Nuts

WARNING! Do not crawl under bumper unless the bumper is properly supported on blocks or stands or the bumper may fall.



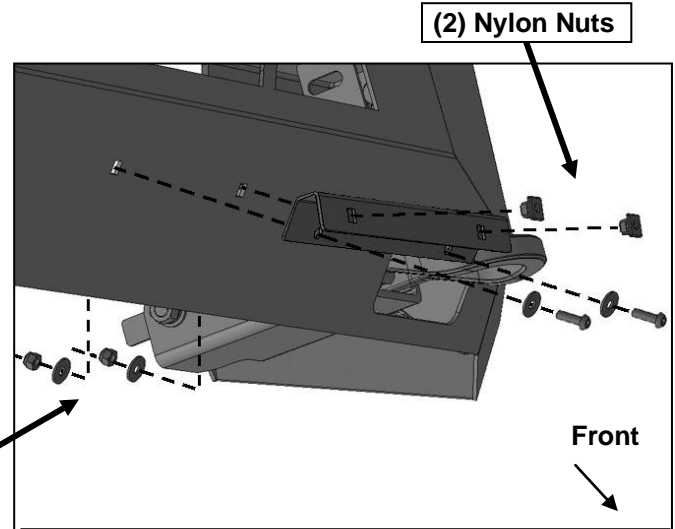
(Fig 12) Attach Bumper to Frame Brackets. Driver/left side illustrated

Driver Side Installation Pictured



(Fig 13) Push sensor into mounting sleeve. Use 4mm Screws to lock sensor in place.

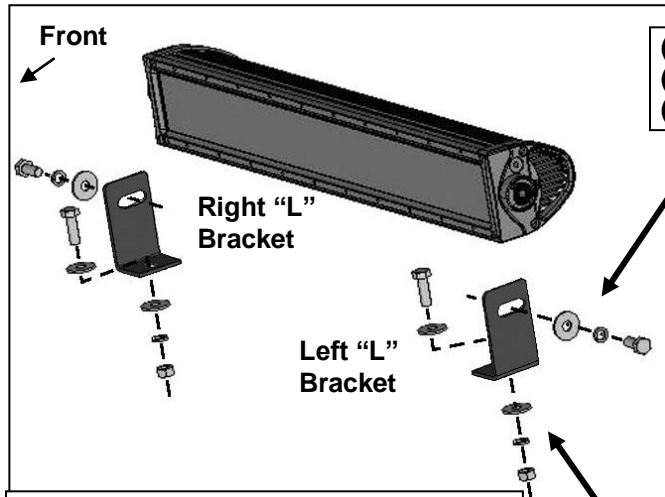
IMPORTANT: Sensors fit snug in sockets. The 4mm Screws are only used to apply slight pressure to lock the sensors in place. Tighten both screws evenly until they touch the sensor body only. Do not overtighten screws or damage to sensors will result.



(2) Nylon Nuts

- (2) 6mm x 20mm Button Head Screws
- (4) 6mm Flat Washers
- (2) 6mm Nylon Lock Nuts

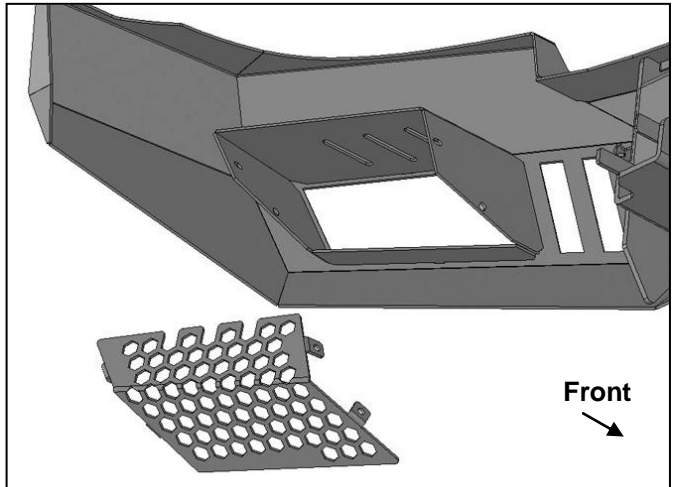
(Fig 14) Attach License Plate Bracket to Bumper



- (2) 8mm x 16mm Hex Bolts
- (2) 8mm Lock Washers
- (2) 8mm Flat Washers

(Fig 15) Typical center light installation

- (2) 8mm x 25mm Hex Bolts
- (4) 8mm Flat Washers
- (2) 8mm Lock Washers
- (2) 8mm Hex Nuts



(Fig 16) Remove screens if necessary for clearance/access to outer light mounts