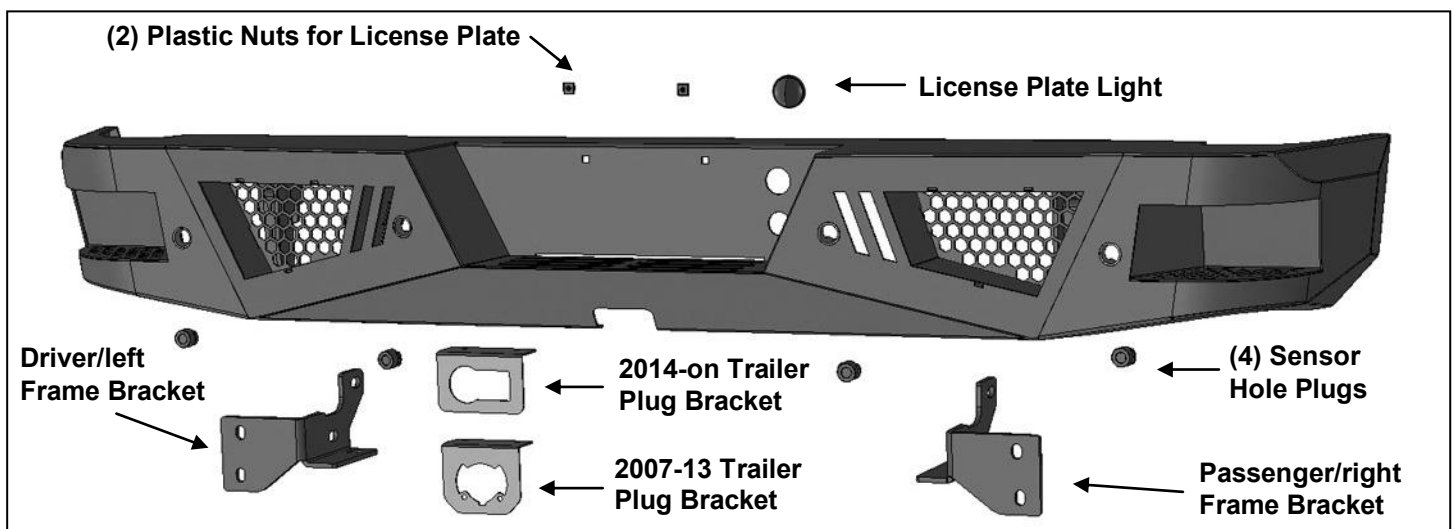


### PARTS LIST:

1	LD1 Rear Bumper Assembly	4	12-1.75mm x 35mm Hex Bolts
1	Driver/left Frame Bracket	8	12mm x 37mm OD x 3mm Flat Washers
1	Passenger/right Frame Bracket	4	12mm Nylon Lock Nuts
1	License Plate Light	2	10-1.5mm x 50mm Hex Bolts
2	License Plate Plugs	4	10mm x 34mm OD x 3mm Flat Washers
4	Sensor Hole Plugs	2	10mm Nylon Lock Nuts
1	Trailer Plug Bracket 07-13	2	6mm x 16mm Hex Bolts
1	Trailer Plug Bracket 2014+	4	6mm ID x 12mm OD x 1.6mm Flat Washers
10	Nylon Wire Ties	2	6mm Nylon Lock Nut
6	14-2.0mm x 45mm Hex Bolts	1	4mm Allen Wrench
12	14mm x 28mm OD x 2.5mm Flat Washers	8	4mm x 10mm Button Head Bolts
6	14mm Nylon Lock Nuts		



### PROCEDURE:

**REMOVE CONTENTS FROM BOX. VERIFY ALL PARTS ARE PRESENT. READ INSTRUCTIONS CAREFULLY BEFORE STARTING INSTALLATION. BUMPER IS HEAVY, ASSISTANCE IS HIGHLY RECOMMENDED TO AVOID POSSIBLE INJURY OR DAMAGE TO THE VEHICLE.**

1. Remove the license plate. On models with bumper sensors, unplug all sensors. Remove the trailer plug from the bumper. Release the wiring harness from the clips attached to the back of the bumper and move harness away from bumper as necessary.
2. Place blocks or jack stands under the bumper to support it during mounting bolt removal.
3. Determine procedure for your model year:

#### 07-13 Models.

- a. Starting on the passenger/right side, remove (2) hex bolts attaching bumper to top/center of receiver hitch if equipped.
- b. Remove hex bolts from side and bottom of frame, **(Figures 1—3)**.
- c. Repeat previous Steps to remove driver/left side hardware.
- d. With assistance, pull bumper and brackets straight out from vehicle, **(Figures 6 & 7)**.

#### 14-16 Models.

- a. Starting on the passenger/right side, remove rear bolts attaching bed to frame, **(Figure 2)**. Loosen center bolts (if equipped). Do not loosen front bolts.
- b. Remove hex bolts from side and bottom of frame, **(Figures 1—3)**.
- c. Repeat previous Steps to remove driver/left side hardware.

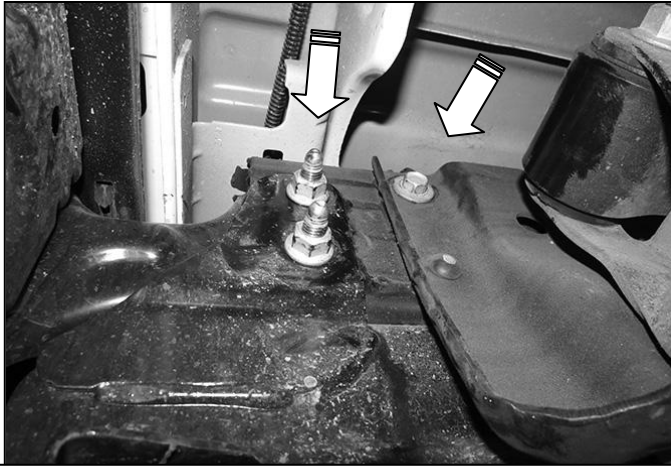
d. Raise bed up slightly, only enough to clear bumper brackets. With assistance, pull bumper and brackets straight out from vehicle, (**Figures 6 & 7**).

**OPTION, 14-16 models only**, bumper must be disassembled to remove to avoid raising the bed. Release the clips attaching the plastic cover to the steel bumper, (**Figure 4**). Remove cover and hardware attaching the outer bumper to the bumper brackets, (**Figure 5**). With assistance, remove the outer steel bumper, from the brackets, then remove the hex bolts attaching the brackets to the frame. Slide the brackets out of the ends of the frame, (**Figures 6 & 7**).

4. Select the passenger/right Frame Bracket, (**Figure 8**). Slide the Bracket into the end of the frame. Attach the Bracket to the forward hole in the frame with (1) 10mm x 50mm Hex Bolt, (2) 10mm Flat Washers and (1) 10mm Nylon Lock Nut. Attach the Bracket to the side and bottom of the frame with (2) 14mm x 45mm Hex Bolts, (4) 14mm Flat Washers and (2) 14mm Nylon Lock Nut, (**Figures 8 & 9**). Do not fully tighten hardware at this time. **NOTE:** On some models/years, the factory tow hitch may have support straps attached to the outside of the frame. Use the included (1) 14mm x 45mm Hex Bolt, (2) 14mm Flat Washers and (1) 14mm Nylon Lock Nut to attach the top hole in the strap to the top mounting hole, (**Figures 7 & 10**). Bottom hole in strap is attached to Bumper Bracket.
5. Repeat **Step 4** to install the driver/left Frame Bracket.
6. Temporarily support the weight of the Bumper. **WARNING:** To avoid possible injury or damage to the vehicle, do not proceed until the Bumper is fully and safely supported.
7. With assistance, position the Bumper Assembly up to the Frame Brackets. Attach the Bumper to the Brackets with the included (4) 12mm x 35mm Hex Bolts, (8) 12mm Flat Washers and (4) 12mm Nylon Lock Nuts, (**Figures 11 & 12**). Do not fully tighten hardware at this time.
8. Level and adjust the bumper and fully tighten all hardware. Slowly open tailgate and check for clearance. Adjust as necessary.
  - a. **2014-16 models only**, reinstall and tighten bed attachment bolts if loosened, (see **Step 3**).
9. Use the included (2) push-in Plastic Nuts to attach the rear license plate to the (2) holes in the Bumper, (**Figure 13**). Insert the License Plate Light into the hole in the bumper, (**Figure 13**). Attach the License Plate Light wire to the end of the factory license plate light wire harness.
10. Select the correct mounting plate for your trailer harness plug. Attach the mounting plate to the bottom of the bumper with (2) 6mm Hex Bolts, (4) 6mm Flat Washers and (2) 6mm Nylon Lock Nuts, (**Figure 13**). **NOTE:** On 2011-14 models, use the included (2) Self Tapping Screws to attach the trailer plug to the Bracket, (**Figure 13**).
11. **LED light installation at ends of bumper** as supplied with bumper or sold separately.
  - a. Insert light into opening and up to mounting slots. Check for clearance between front and back of light. If necessary, remove the screen from the back of the opening for additional clearance or access to light, (**Figure 14**).
  - b. Follow the light manufacturer's instructions to attach (1) light to the center slot or (2) lights to the inner and outer slots in the top of the light opening.
  - c. Repeat the above steps for passenger side light installation.
  - d. Follow light manufacturer's instructions to properly wire the light.
12. **Models with bumper mounted sensors:**
  - a. Remove the rubber plugs from the sockets in the bumper assembly. Push the sensor in from the back of the bumper. Secure each sensor to the socket with (2) 4mm x 10mm Button Head Screws, (**Figure 15**). **IMPORTANT:** Sensors fit snug in sockets. The 4mm Screws are used to apply slight pressure to lock the sensors in place. Tighten both screws evenly until they touch the sensor body only. Do not overtighten screws or damage to sensors will result.
  - b. Reattach the factory wiring harness to sensors.
13. Attach the wiring harness to the lights and trailer plug.
14. Use the included Wire Ties to secure the wiring harness to the bumper and frame as necessary.
15. Do periodic inspections to the installation to make sure that all hardware is secure and tight.

**To protect your investment**, wax this product after installing. Regular waxing is recommended to add a protective layer over the finish. Do not use any type of polish or wax that may contain abrasives that could damage the finish. Mild soap may be used to clean the Bumper assembly.

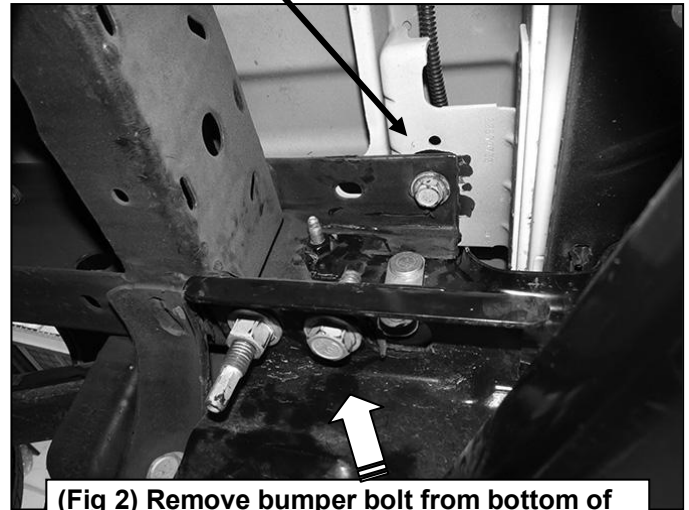
### Passenger/right side installation pictured



(Fig 1) Remove bumper bolts from outside of frame (arrows). Passenger side pictured from below

**WARNING!** Before removing hardware, fully support the weight of the bumper with blocks or stands to prevent injury or damage to the vehicle.

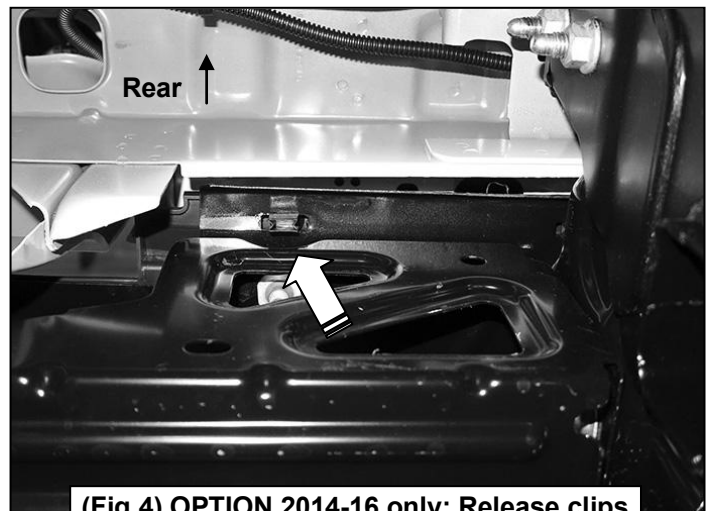
2014-16 models, remove rear bed to frame bolts, loosen center bolts, (if equipped). Do not loosen front bolts.



(Fig 2) Remove bumper bolt from bottom of frame (arrow). Back of passenger side of model w-o receiver hitch pictured from below



(Fig 3) Remove bumper bolts attaching brackets to frame (arrows). Model with receiver hitch pictured from below



(Fig 4) OPTION 2014-16 only: Release clips to remove plastic bumper cover (arrow). Passenger side pictured from below



Passenger/right side installation pictured



(Fig 5) OPTION 2014-16 only: Remove bumper bolts attaching bumper to inner bracket. Remove outer bumper first, then remove inner brackets

**WARNING!** Before removing hardware, fully support the weight of the bumper with blocks or stands to prevent injury or damage to the vehicle.



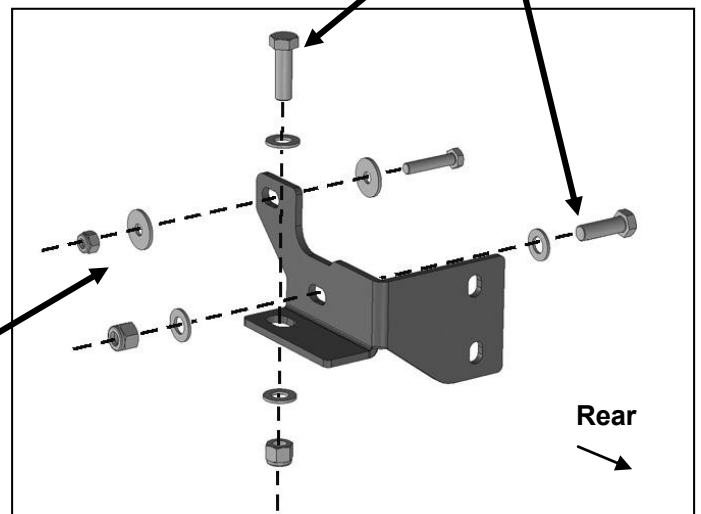
(Fig 6) End of frame once factory bumper is removed. Passenger side w-o receiver hitch pictured



(Fig 7) End of frame once factory bumper is removed. Passenger side with receiver hitch pictured

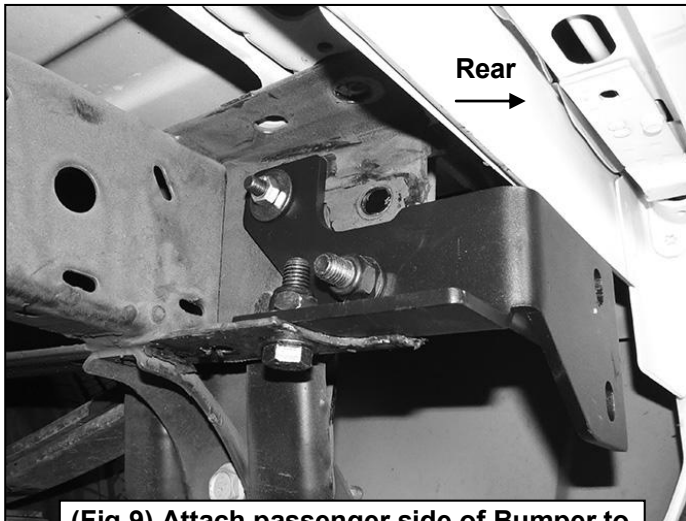
10mm x 50mm Hex Bolt  
(2) 10mm Flat Washers  
10mm Nylon Lock Nut

14mm x 45mm Hex Bolt  
(2) 14mm Flat Washers  
14mm Nylon Lock Nut



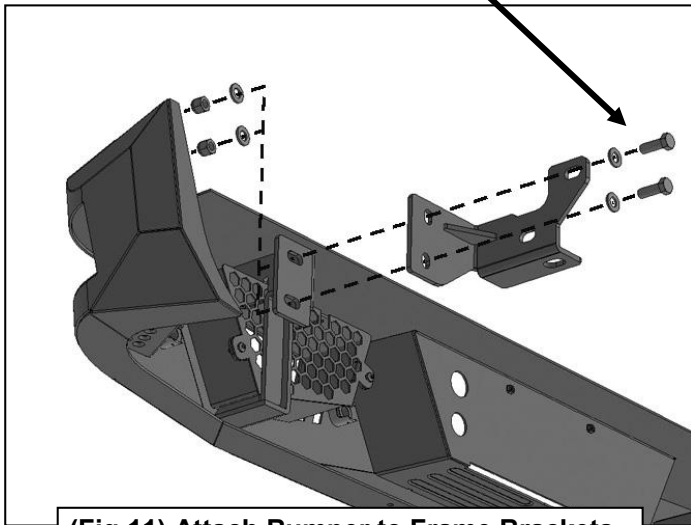
(Fig 8) Attach Bumper Bracket to side mounting holes in frame and hitch if equipped

Passenger/right side installation pictured



(Fig 9) Attach passenger side of Bumper to frame. Model w-o receiver hitch pictured

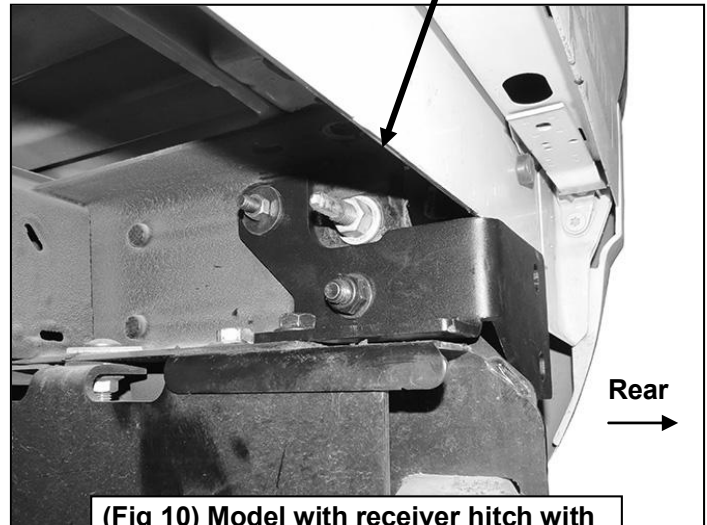
(2) 12mm x 55mm Hex Bolts  
(4) 12mm Flat Washers  
(2) 12mm Nylon Lock Nuts



(Fig 11) Attach Bumper to Frame Brackets

**WARNING!** Before installation, fully support the weight of the bumper with blocks or stands to prevent injury or damage to the vehicle.

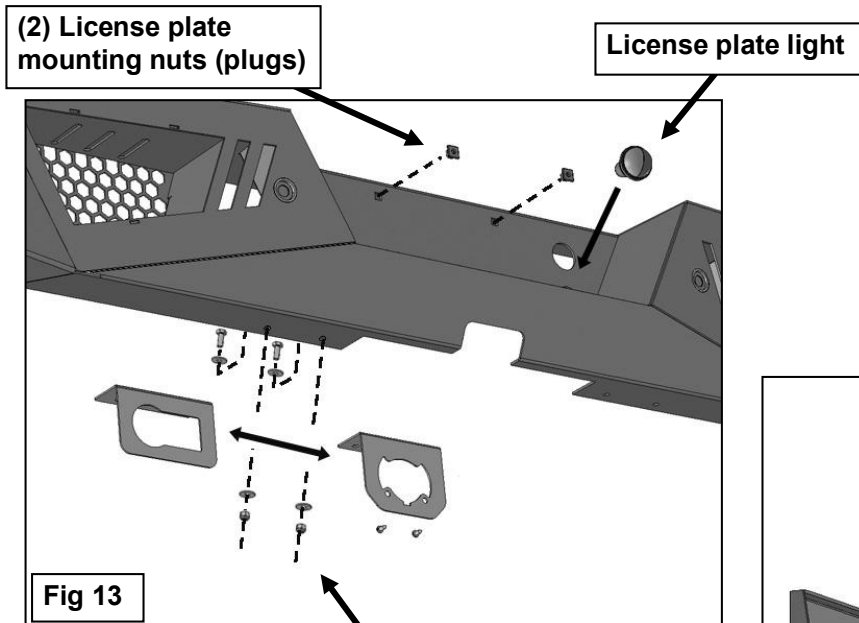
14mm x 45mm Hex Bolt  
(2) 14mm Flat Washers  
14mm Nylon Lock Nut



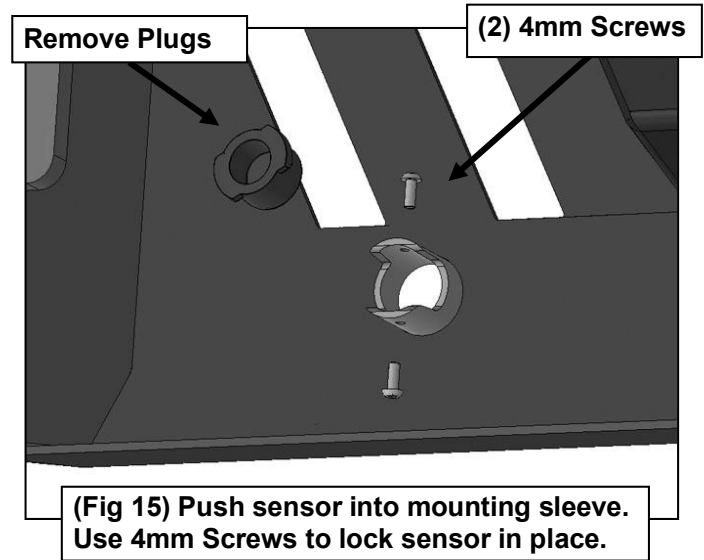
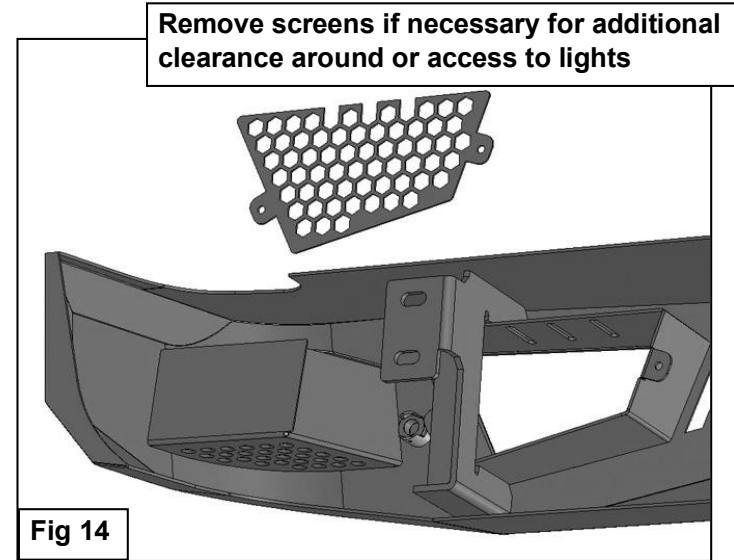
(Fig 10) Model with receiver hitch with support strap pictured (also see Fig 7)



(Fig 12) Attach Bumper to Frame Brackets



- (2) 6mm Screws
- (4) 6mm Flat Washers
- (2) 6mm Nylon Lock Nuts



**IMPORTANT:** Sensors fit snug in sockets. The 4mm Screws are only used to apply slight pressure to lock the sensors in place. Tighten both screws evenly until they touch the sensor body only. Do not overtighten screws or damage to sensors will result.



**WARRANTY POLICY & PROCEDURE**

Contact your Body Armor 4x4 Distributor or Body Armor 4x4 directly regarding any issue prior to removing product from vehicle. If it appears said product is warrantable, you will be given a Return Authorization Number (RA #) and asked to return said product freight pre- paid. The RA # must appear on the outside of the carton/box of any returned product. Unauthorized returns will be refused. RA # must be given by Body Armor 4x4 in advance of return.

**BODY ARMOR LIMITED LIFETIME WARRANTY**

Body Armor 4x4 (BA) warrants to the original purchaser that these products will be free from defects in material and workmanship prior to shipping and/or installation for the life of the product. This non-transferable limited lifetime warranty does not cover damage or impairment in any part due to misuse, improper installation, accident or contact with on-road or off-road hazards, product modification, improper or inadequate cleaning and/or maintenance. All other warranties and representations express or implied are hereby disclaimed, including fitness for merchantability and buyer's intended use or purpose.

BA products are built and sold for highway and off-road use. The original purchaser assumes all risks as to the selection, suitability and performance of all goods and products purchased.

BA's sole and exclusive obligation under this warranty shall be to repair or replace the item(s) and their discretion and BA will not issue any credit or refund to the consumer. Proof of purchase is required on all warranty claims. BA may require pictures to diagnose the warranty claim and may require the product(s) be returned if determined by BA to be necessary. If a return is required then a RGA number will be issued by BA. Any item arriving to BA without a valid

RGA number will be refused and sent back. Upon evaluating the RGA and no valid warranty claim is made, the RGA will be returned to the consumer at their expense or disposed by BA after 60 days. BA will not be responsible for incidental charges such as removal, installation, shipping costs or lost during transit. Any items that are ordered in error, refused or cancelled are not considered a valid warranty claim and cannot be returned to BA.

**WARRANTY PROCESS**

Contact an authorized BA dealer to initiate warranty process. Authorized dealers must contact BA to assist in evaluating the warranty claims. Valid warranties will have a RGA issued. Once issued the dealer will request the product be returned to BA facilities. Products purchased through an authorized BA dealer will be refunded and/or credited by that BA dealer.

Warranty contact: [orders@bodyarmor4x4.com](mailto:orders@bodyarmor4x4.com)

Return address: Body Armor 4x4, 1050 N. Vineyard Ave. Ontario CA, 91764, P: 951-808-0750

**FINISH WARRANTY**

The finish is warranted to be free of defects for a period of 3 years from date of purchase. Product(s) that have been abused, altered, incorrectly installed or used in competition are void of said warranty. Surface rust, pitting or discoloration is a direct result of improper maintenance is not covered by this warranty. It is the responsibility of the owner to preserve and maintain the finish of their product(s). In areas where high concentrations of road salts and other corrosive agents are used, rust or damage to the finish may occur if BA product(s) are not properly maintained. Lack of proper maintenance in these areas may void the finish warranty. See below for routine maintenance tips and recommendations.

**PRODUCT CARE AND MAINTENANCE**

Textured coat finished should be cleaned ONLY with a mild soap on a damp sponge.

BA recommends wiping down the product with a light coat of lubricate (i.e. WD40) periodically to maintain its luster.

DO NOT apply polish or wax that requires buffing for removal as this may damage the finish.

DO NOT coat the product with any type of shine such as Tire Shine or glossy aerosol or gel. This can cause discoloration, staining or bubbling.