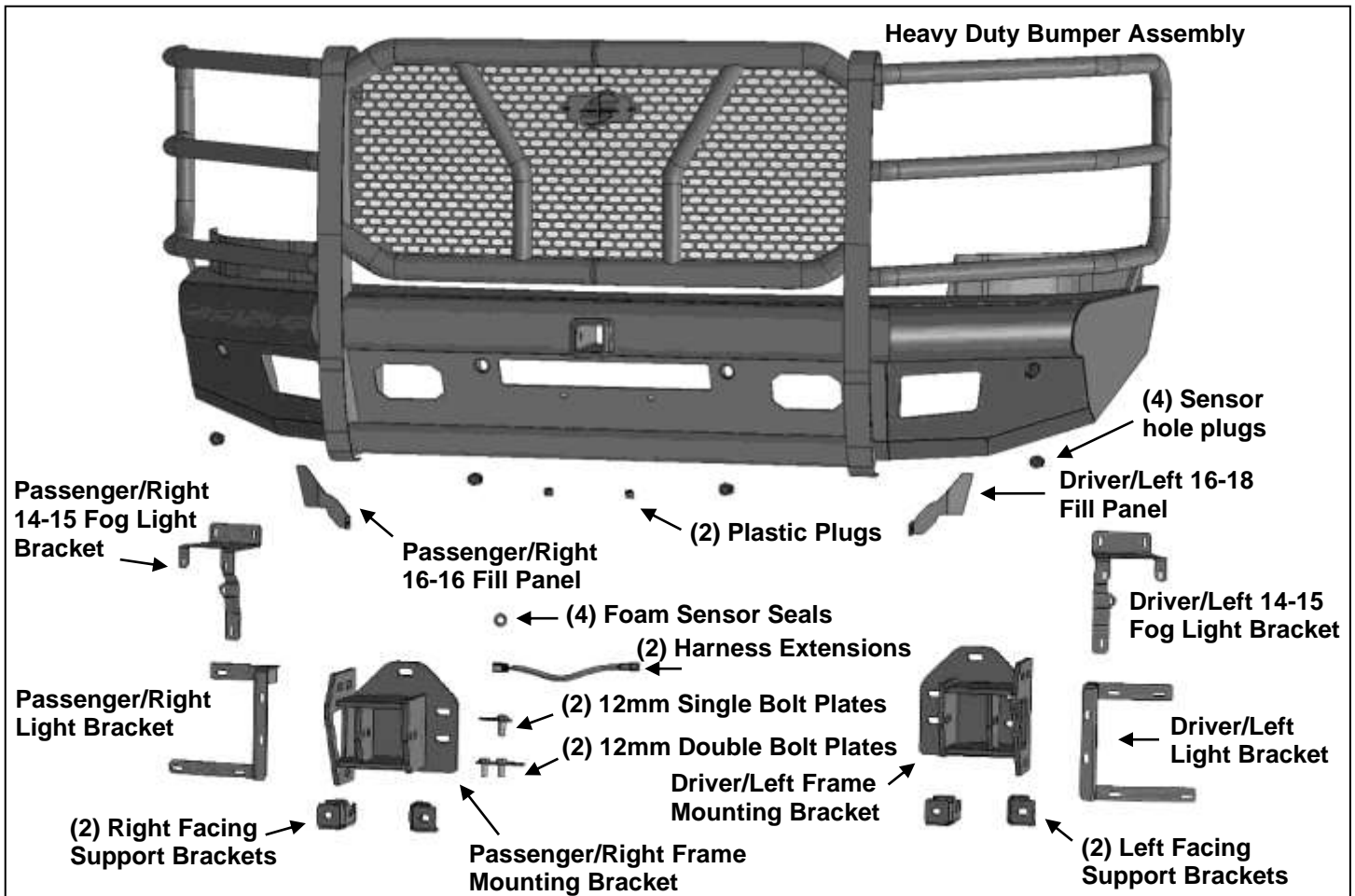


**HEAVY DUTY REPLACEMENT FRONT BUMPER
2014-18 CHEVY SILVERADO 1500**

PARTS LIST:

1	HD Front Bumper Assembly	2	Plastic Plugs for License Plate
1	Driver Mounting Bracket	2	12mm Single Bolt Plates
1	Passenger Mounting Bracket	2	12mm Double Bolt Plates
2	Left Facing Support Brackets	10	12-1.75mm x 50mm Hex Bolts
2	Right Facing Support Brackets	26	12mm x 32mm OD x 3mm Flat Washers
1	Driver/left 2014-15 Fog Light Adapt Bracket	16	12mm Nylon Lock Nuts
1	Passenger/right 2014-15 Fog Light Adapt Bracket	6	8-1.25mm x 30mm Hex Bolts
1	Driver/left Fog Light Mounting Bracket	12	8mm x 22mm x 2mm Flat Washer
1	Passenger/right Fog Light Mounting Bracket	6	8mm Nylon Lock Nuts
1	Driver/left 16-18 Bumper Fill Panel	8	6-1.0mm x 30mm Hex Bolts
1	Passenger/right 16-18 Bumper Fill Panel	16	6mm x 18mm x 1.6mm Flat Washers
4	Sensor Foam Washers	8	6mm Nylon Lock Nuts
2	GM Wiring Harness Extensions	8	4mm x 10mm Socket Head Screws
4	Sensor Plugs	1	Wrench
1	Sensor Cover Kit		



PROCEDURE:

REMOVE CONTENTS FROM BOX. VERIFY ALL PARTS ARE PRESENT. READ INSTRUCTIONS CAREFULLY BEFORE STARTING INSTALLATION. BUMPER IS HEAVY, ASSISTANCE IS HIGHLY RECOMMENDED TO AVOID POSSIBLE INJURY OR DAMAGE TO THE VEHICLE.

1. Remove the license plate and bracket. On models with factory fog lights and/or sensors, unplug the wiring harness leading to the bumper, **(Figure 1)**. Move all wiring harnesses away from bumper.

**HEAVY DUTY REPLACEMENT FRONT BUMPER
2014-18 CHEVY SILVERADO 1500**

2. **On 2014-15 models only**, from behind the bumper, release the clips from the center of the plastic body panel, (fascia), on top of the bumper between the bottom of the grille and the top of the bumper, Remove the screws from the ends **and remove the fascia panel, (Figure 2)**.
3. All model years, open the hood and remove the cover from the top of the radiator and grille, **(Figure 3)**. Remove the bolts attaching the bottom of the grille to the cross member and remove the grille.
4. Remove the outer bumper supports attaching the ends of the bumper to the outside of the frame.
5. Place blocks or jack stands under the front bumper to support it during mounting bolt removal. From above, remove the factory bumper bolts attaching the bumper to the inner bumper bracket bolted to the end of the frame, **(Figure 4)**. **WARNING!** Assistance is required to hold the bumper in place during bolt removal to prevent the bumper from falling. Carefully slide the bumper assembly with brackets off of the end of the frame.
6. Reinstall the grille and cover removed in **Steps 2 & 3**. Do not reinstall the fascia on 2014-15 models.
7. Remove both bumper brackets and tow hooks from the end of the frame, **(Figure 5)**.
8. Select (1) Left Facing and (1) Right Facing Support Bracket. Starting on the driver/left side, attach the Right Facing Support Bracket to the inner facing side of the frame with (1) 12mm Double Bolt Plate, (2) 12mm Flat Washers and (2) 12mm Nylon Lock Nuts, **(Figures 6 & 7)**. Next, attach (1) Left Facing Support Bracket to the outside of the frame with (1) 12mm Single Bolt Plate, (1) 12mm Flat Washer and (1) 12mm Nylon Lock Nut, **(Figures 6 & 8)**. Do not tighten hardware at this time.
9. Select the drive/left Frame Mounting Bracket. Reuse (3) factory bumper bolts to attach the top of the Frame Bracket to the bumper mount, **(Figure 9)**. Attach the (2) lower holes in the Frame Bracket to the Support Brackets with (2) 12mm x 50mm Hex Bolts, (4) 12mm Flat Washers and (2) 12mm Nylon Lock Nuts, **(Figure 9)**. Snug but do not fully tighten hardware.
10. Repeat **Steps 8 & 9** to install the passenger side Brackets.
11. Determine if the vehicle is equipped with front bumper mounted parking sensors.

Models without bumper sensors:

- a. Select the included (4) Rubber Plugs.
- b. From behind bumper, push plugs into sensor mounting holes, **(Figure 10)**. Secure the Plugs to the mounts with the included 4mm x 10mm Button Head Screws, **(Figure 12)**.

Models with bumper mounted sensors:

- a. Unplug and remove sensors and wiring harness from factory bumper. Test fit sensor in sleeve. It may be necessary to cut or grind off the tabs on the sides of the sensor to fit into the sleeve.
- b. Remove the silicone seal from the end of the sensor. Slide the included larger Foam Sensor Seal over front of sensor, **(Figure 11)**.
- c. Insert sensor with Seal into sensor mount, **(Figure 12)**.
- d. Secure each sensor to the socket with (2) 4mm x 10mm Button Head Screws, **(Figure 12)**. **IMPORTANT:** Sensors fit snug in sockets. The 4mm Screws are used to apply slight pressure to lock the sensors in place. Tighten both screws evenly until they touch the sensor body only. Do not overtighten screws or damage to sensors will result.
- e. Repeat previous Steps to install remaining sensors.
- f. Install wiring harness for sensors. **IMPORTANT:** (2) Harness Extensions have been included to extend the ends of the factory harness to the sensors. Use as necessary.

12. 2016-18 Models Only:

- a. Select the driver/left Top Fill Panel. Attach the tab on the Fill Panel to the top hole in the mounting plate on the back of the Bumper with (1) 8mm x 30mm Hex Bolt, (2) 8mm Flat Washers and (1) 8mm Nylon Lock Nut, **(Figure 13)**. Repeat this Step to attach the passenger/right Top Fill Panel.

13. With assistance, position the Bumper Assembly up to and over the Brackets. Temporarily support the weight of the Bumper. **WARNING:** To avoid possible injury or damage to the vehicle, do not proceed until the Bumper is fully and safely supported.
14. Line up the (3) holes in the driver/left mounting plate on the inside of the Bumper with the (3) slots in the Frame Bracket. Attach the Bumper to the Bracket with the included (3) 12mm x 50mm Hex Bolts, (6) 12mm Flat Washers and (3) 12mm Nylon Lock Nuts, **(Figures 14 & 15)**. Do not fully tighten hardware at this time. Repeat this **Step** to attach the passenger/right side of the Bumper to the Frame Bracket.

HEAVY DUTY REPLACEMENT FRONT BUMPER 2014-18 CHEVY SILVERADO 1500

15. Level and adjust the bumper and fully tighten all 12mm hardware to 65-70ft-lbs.
16. Reuse the factory hardware to attach tow hooks to the inside of Frame Brackets, **(Figures 15 & 16)**.
17. **Models with fog lights**, select the driver/left Fog Light Mounting Bracket, **(Figure 17)**. Attach the Bracket to the mounting plate on the back of the Bumper with (2) 8mm x 30mm Hex Bolts, (4) 8mm Flat Washers and (2) 8mm Nylon Lock Nuts, **(Figures 17 & 18)**. Tighten hex bolts at this time:

2014-15 Models only:

- a. Select the driver/left Fog Light Adapter Bracket, **(Figure 19)**.
- b. Slide the tabs on the driver/left fog light into the Bracket. Push the attaching posts into the mounting holes in the Bracket.
- c. Attach Bracket with light to the mounting tabs on the back of the Bumper with (3) 6mm x 30mm Hex Bolts, (6) 6mm Flat Washers and (3) 6mm Nylon Lock Nuts, **(Figure 19)**.
- d. Repeat this Step to install passenger/right light assembly.

2016-18 Models

- a. Attach the light assembly with plastic housing to the previously installed Mounting Bracket with (4) 6mm x 30mm Hex Bolts, (8) 6mm Flat Washers and (4) 6mm Nylon Lock Nuts, **(Figure 20)**.

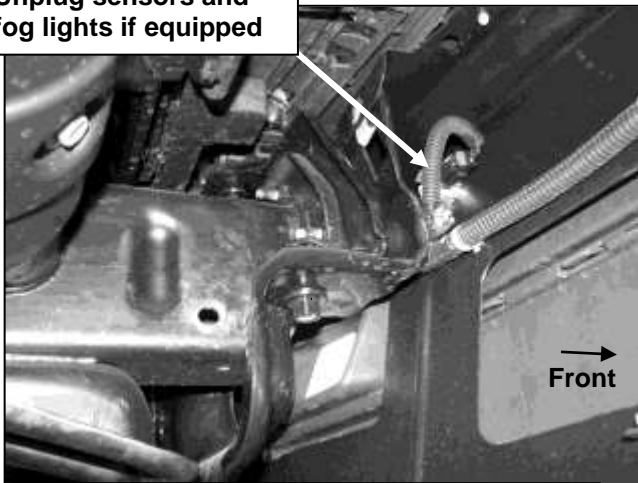
NOTE: Light assembly will rotate 90-degrees to install horizontal to Brackets.

18. Reattach the factory wiring harness to both fog lights and sensors if equipped.
19. Use the included (2) push-in Plastic Nuts to attach the front license plate, (if required), to the (2) holes in the front of the Bumper, **(Figure 21)**.
20. Do periodic inspections to the installation to make sure that all hardware is secure and tight.

To protect your investment, Do not use any type of polish or wax that may contain abrasives that could damage the finish. Mild soap may be used to clean the Heavy Duty Front Bumper assembly.

Driver Side Installation Pictured

Unplug sensors and fog lights if equipped



(Fig 1) Unplug wire harness for sensors, fog lights as equipped. Move wiring harness away from bumper



(Fig 2) On 14-15 models, from behind bumper, release clips and hardware attaching plastic fascia panel (arrow) to top of bumper and fender. Remove fascia panel to access grille and bumper hardware from above.

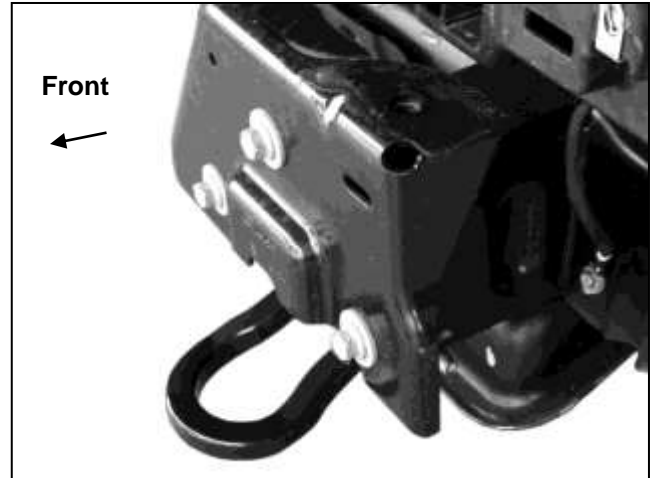
**HEAVY DUTY REPLACEMENT FRONT BUMPER
2014-18 CHEVY SILVERADO 1500**

Driver Side Installation Pictured

WARNING! Do not crawl under bumper unless the bumper is properly supported on blocks or stands or the bumper may fall.



(Fig 3) Remove plastic cover from top of radiator (arrow). Temporarily remove grille



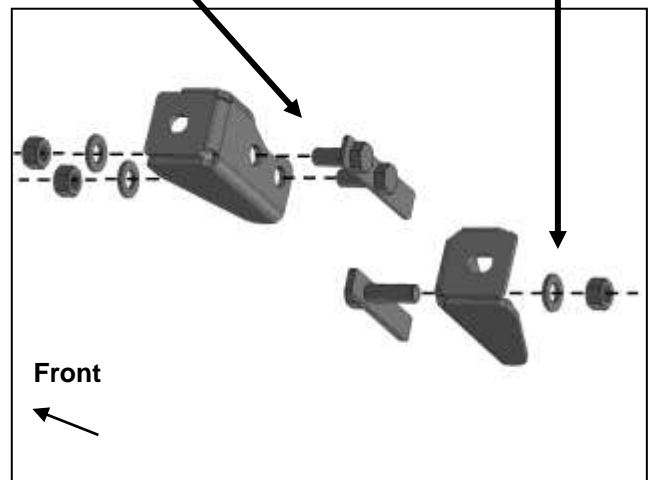
(Fig 4) Remove complete bumper, inner bumper bracket and tow hooks



(Fig 5) Remove complete bumper, inner bumper bracket and tow hooks

**12mm Double Bolt Plate
(2) 12mm Flat Washers
(2) 12mm Nylon Lock Nuts**

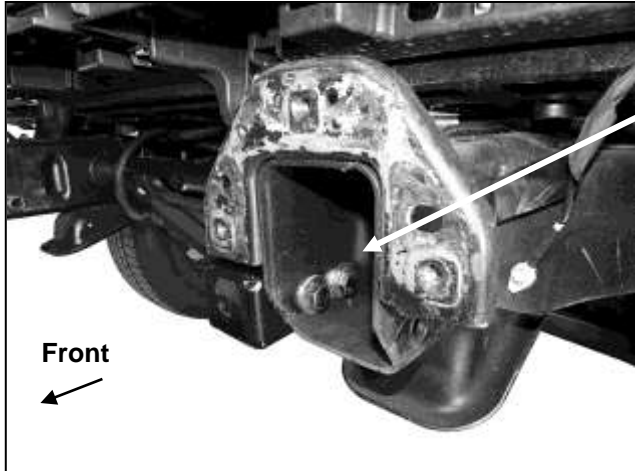
**12mm Single Bolt Plate
12mm Flat Washer
12mm Nylon Lock Nut**



(Fig 6) Attach Left and Right Facing Support Brackets to sides of frame

HEAVY DUTY REPLACEMENT FRONT BUMPER
2014-18 CHEVY SILVERADO 1500

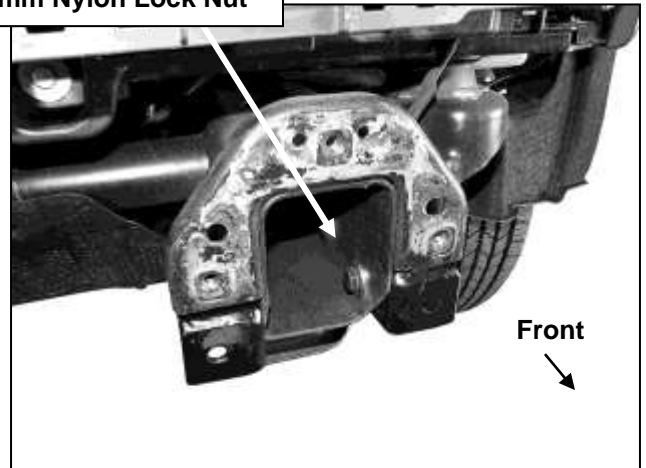
Driver Side Installation Pictured



12mm Double Bolt Plate
(2) 12mm Flat Washers
(2) 12mm Nylon Lock Nuts

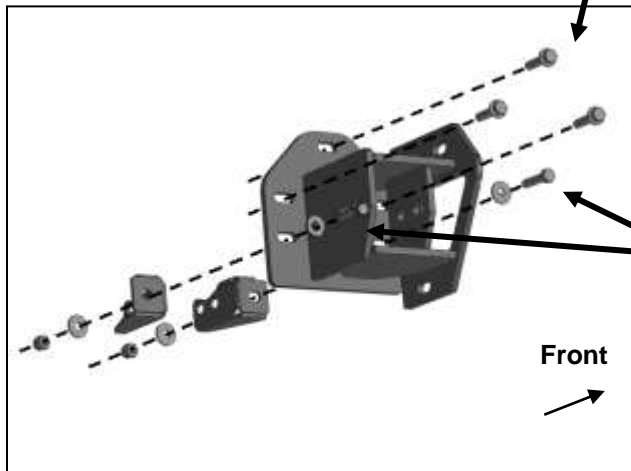
(Fig 7) Attach Support Brackets to frame using factory holes for tow hooks. Driver side pictured

12mm Single Bolt Plate
12mm Flat Washer
12mm Nylon Lock Nut



(Fig 8) Attach Support Brackets to frame using factory holes for tow hooks. Driver side pictured

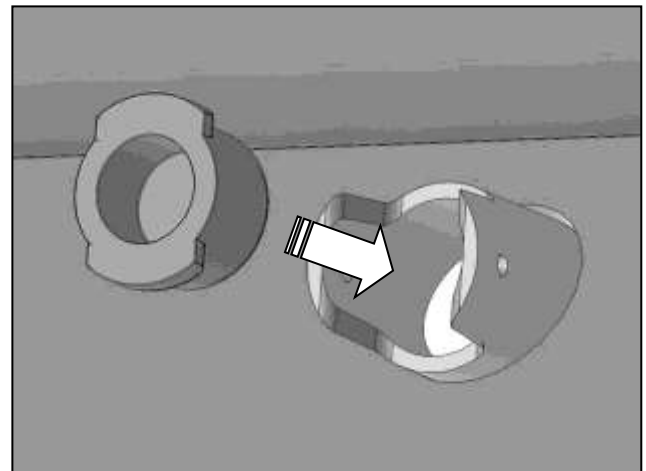
Reuse (3) factory bumper bolts (top slots only)



(2) 12mm x 50mm Hex Bolts
(4) 12mm Flat Washers
(2) 12mm Nylon Lock Nuts

(Fig 9) Reuse factory bumper bolts to attach top of Frame Bracket to bumper mount on frame. Attach Support Brackets to back of Frame Bracket

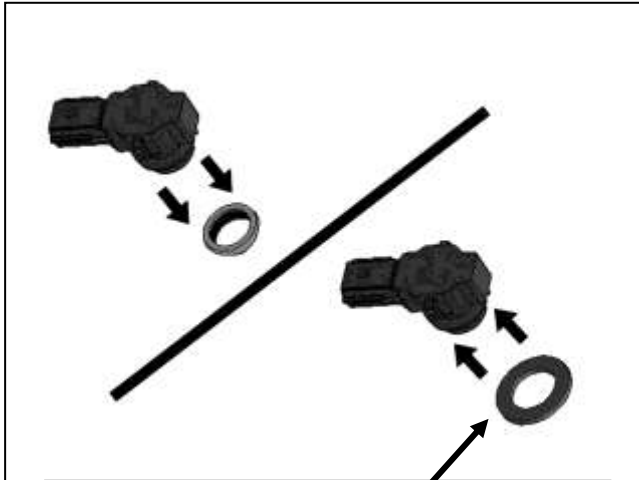
WARNING! Do not crawl under bumper unless the bumper is properly supported on blocks or stands or the bumper may fall.



(Fig 10) On models without sensors, push included rubber plugs into mounting sleeves

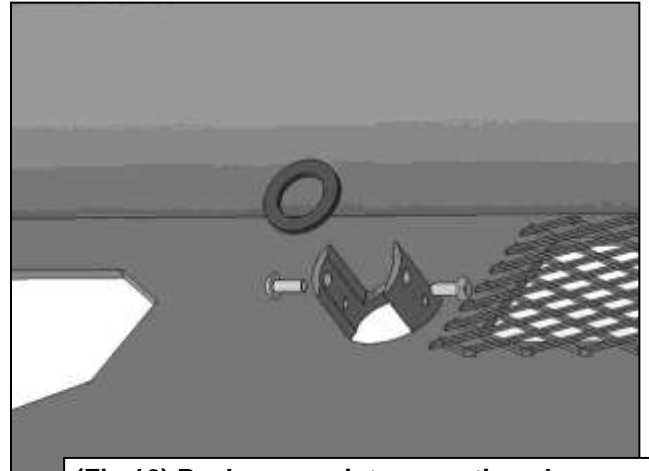
**HEAVY DUTY REPLACEMENT FRONT BUMPER
2014-18 CHEVY SILVERADO 1500**

Driver Side Installation Pictured

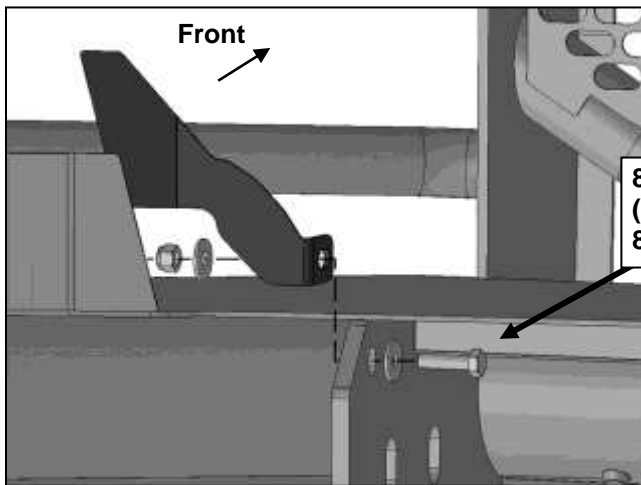


(Fig 11) Remove silicone seal from sensor. Slide large Seal over end of sensor (arrow)

IMPORTANT: Sensors fit snug in sockets. The 4mm Screws are only used to apply slight pressure to lock the sensors in place. Tighten both screws evenly until they touch the sensor body only. Do not overtighten screws or damage to sensors will result.



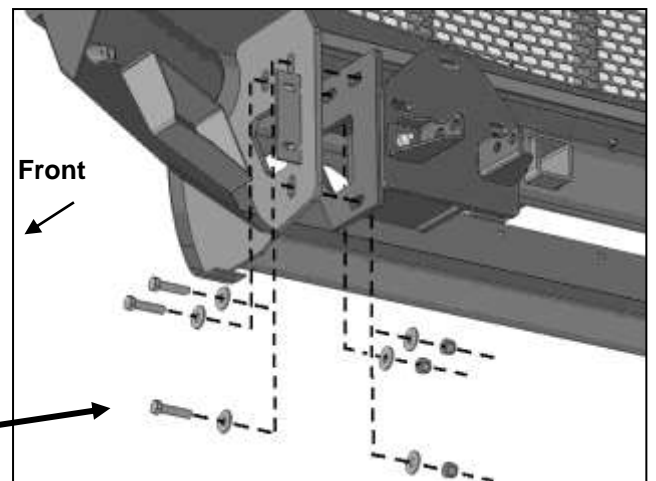
(Fig 12) Push sensor into mounting sleeve. Use 4mm Screws to hold sensor in place.



**8mm x 30mm Hex Bolt
(2) 8mm Flat Washers
8mm Nylon Lock Nut**

(Fig 13) 2016-18 models only, attach Fill Panels to top of Bumper (driver/left side illustrated from behind Bumper)

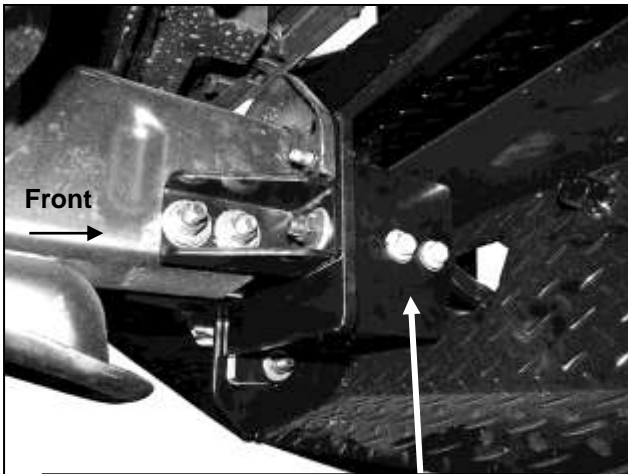
**(3) 12mm x 50mm Hex Bolts
(6) 12mm Flat Washers
(3) 12mm Nylon Lock Nuts**



(Fig 14) Attach Bumper to Frame Brackets

**HEAVY DUTY REPLACEMENT FRONT BUMPER
2014-18 CHEVY SILVERADO 1500**

Driver Side Installation Pictured

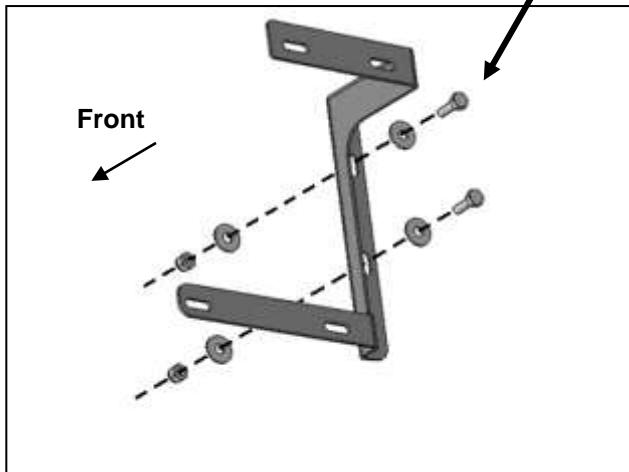


(Fig 15) Reuse factory hardware to attach tow hooks to inside of Frame Bracket



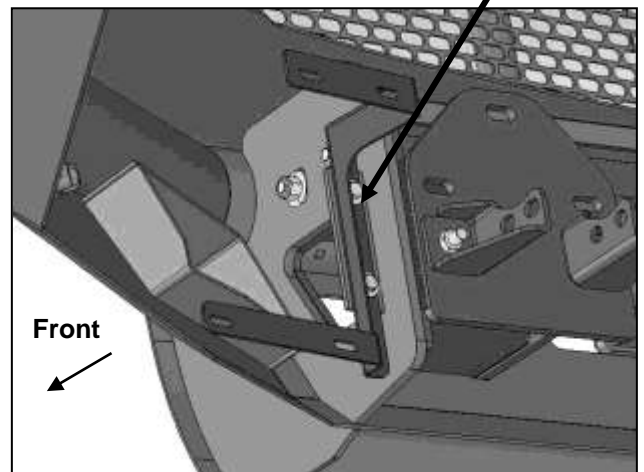
(Fig 16) Reinstall tow hooks with factory hardware

- (2) 8mm x 30mm Hex Bolts**
- (4) 8mm Flat Washers**
- (2) 8mm Nylon Lock Nuts**



(Fig 17) Attach fog light Mounting Bracket to back of Bumper. Driver/left Bracket installation illustrated.

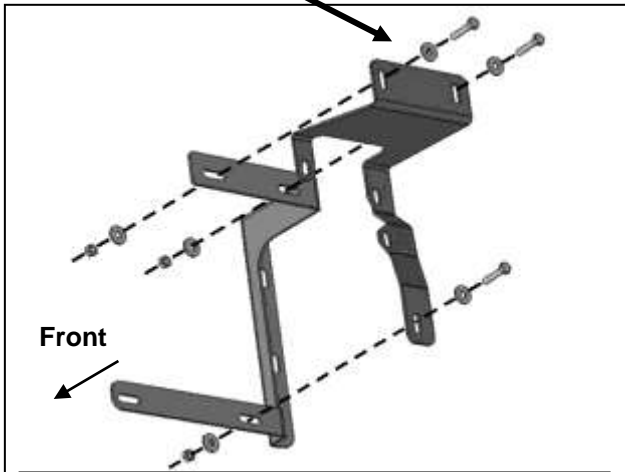
- (2) 8mm x 30mm Hex Bolts**
- (4) 8mm Flat Washers**
- (2) 8mm Nylon Lock Nuts**



(Fig 18) Attach fog light Mounting Bracket to back of Bumper. Driver/left Bracket installation illustrated.

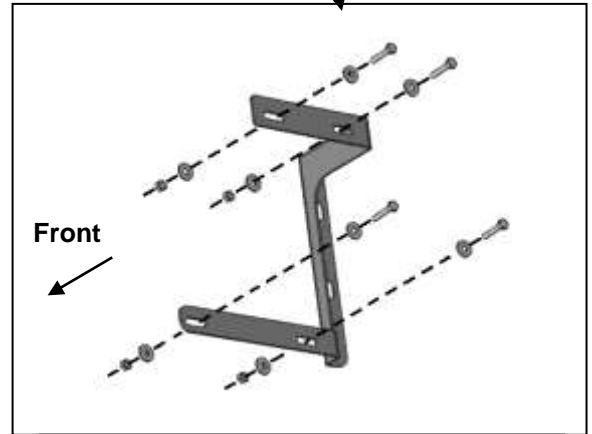
**HEAVY DUTY REPLACEMENT FRONT BUMPER
2014-18 CHEVY SILVERADO 1500**

- (3) 6mm x 30mm Hex Bolts
- (6) 6mm Flat Washers
- (3) 6mm Nylon Lock Nuts

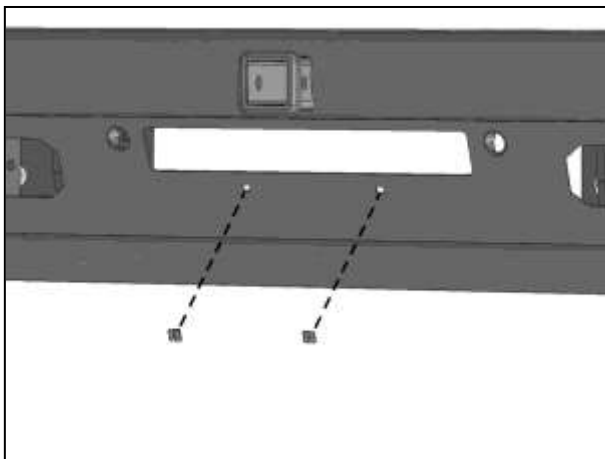


(Fig 19) Attach 2014-15 only factory fog light Adapter Bracket to Mounting Bracket. Push fog light into (3) slots in bracket (Driver/left Bracket installation illustrated)

- (4) 6mm x 30mm Hex Bolts
- (8) 6mm Flat Washers
- (4) 6mm Nylon Lock Nuts



(Fig 20) On 2016-18 models, rotate light 90-degrees and attach fog light and housing assembly directly to Mounting Bracket. Adapter bracket (Fig 19) is not required for installation



(Fig 21) Push plastic plugs into holes in Bumper for license plate if required

