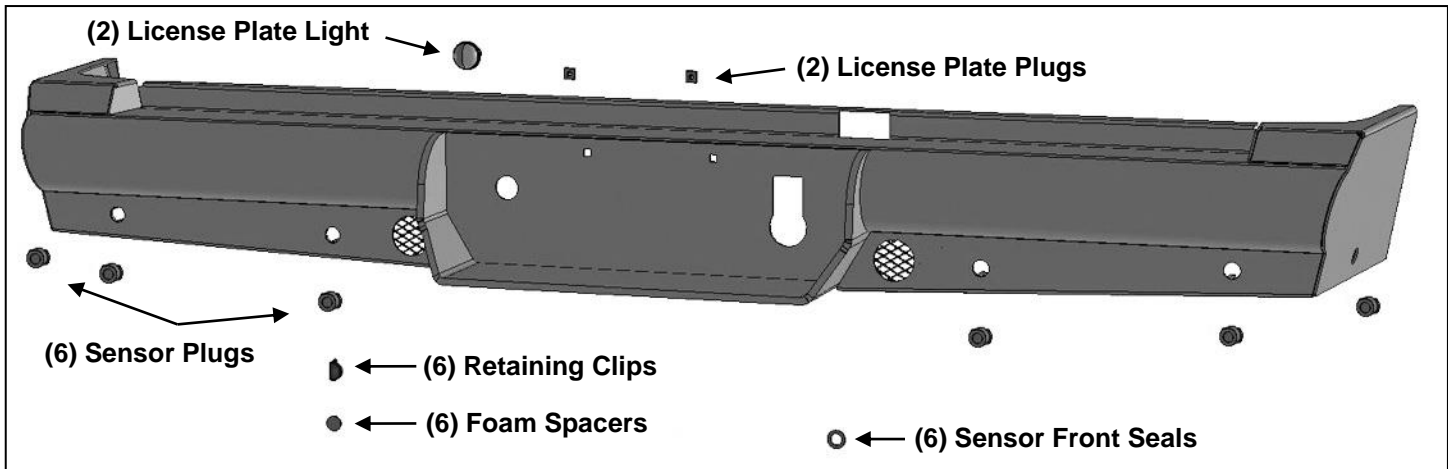


**HD REPLACEMENT REAR BUMPER  
2019-20 RAM 1500 (EXCLUDES "CLASSIC")**

**PARTS LIST:**

1	HD Rear Bumper Assembly	4	12-1.75mm x 35mm Hex Bolts
1	License Plate Light	8	12mm x 37mm x 3mm Flat Washers
2	Plastic Plugs for license plate mount	4	12mm Nylon Lock Nuts
6	Retaining Clips	2	4mm x 16mm Button Head Bolts
6	15.5mm x 25mm x 2mm Foam Washers	12	4mm x 10mm Button Head Bolts
6	20mm x 2mm Foam Washers	4	4mm x 12mm x 1.0mm Flat Washers
6	Sensor Hole Plugs	2	4mm Lock Washers
1	Sensor Cover Kit	2	4mm Hex Nuts
		1	2.5mm Wrench



**PROCEDURE:**

**REMOVE CONTENTS FROM BOX. VERIFY ALL PARTS ARE PRESENT. READ INSTRUCTIONS CAREFULLY BEFORE STARTING INSTALLATION. BUMPER IS HEAVY, ASSISTANCE IS HIGHLY RECOMMENDED TO AVOID POSSIBLE INJURY OR DAMAGE TO THE VEHICLE. ALLOW EXHAUST TO COMPLETELY COOL BEFORE STARTING INSTALLATION.**

1. Start installation by unplugging the wiring harness leading to the rear bumper, **(Figure 1)**. Move harness away from the bumper.
2. Remove the license plate. Remove the (2) hex bolts behind rear license plate, **(Figure 2)**.
3. Place blocks or jack stands under the bumper to support it during bumper bolt removal. Once the bumper has been safely supported, remove the (4) factory hex nuts, (2 per side), and slide the rear bumper off of the end of the frame, **(Figures 3 & 4)**. **WARNING!** Assistance is required to hold the bumper in place during hardware removal and to prevent the bumper from falling. Move the bumper to a clean stable work surface.
4. Disassemble the bumper to remove the wiring harness, towing plug, parking sensors and tire pressure monitoring sensor (TPMS) from the back of the bumper as equipped, **(Figure 5)**.  
**NOTE:** Label sensors with location for proper reinstallation.
5. Determine if the vehicle is equipped with bumper mounted parking sensors. **NOTE:** Depending on tow package, it may be necessary or easier to install all sensors, (if equipped), or plugs before installing the Bumper.

**Models without bumper sensors:**

- a. Select the included (6) Rubber Plugs, **(Figure 6)**.
- b. From behind bumper, push plugs into sensor mounting holes, **(Figure 6)**. 4mm x 10mm Screws have been provided to lock the plugs in the sleeve. Use is optional.

**Models with parking sensors:**

- a. Remove the silicone seal from the end of the sensor. Slide the included larger Sensor Seal over front of sensor, **(Figure 7)**.

**HD REPLACEMENT REAR BUMPER  
2019-20 RAM 1500 (EXCLUDES "CLASSIC")**

- b. Insert sensor with Seal into sensor mount, **(Figure 8)**.
- c. Place Foam Spacer over end of sensor. Push Sensor Retaining Clip into sensor mount and lock into mounting holes, **(Figure 8)**.
- d. Repeat previous Steps to install remaining parking sensors.

**Models with TPMS (tire pressure monitoring system).**

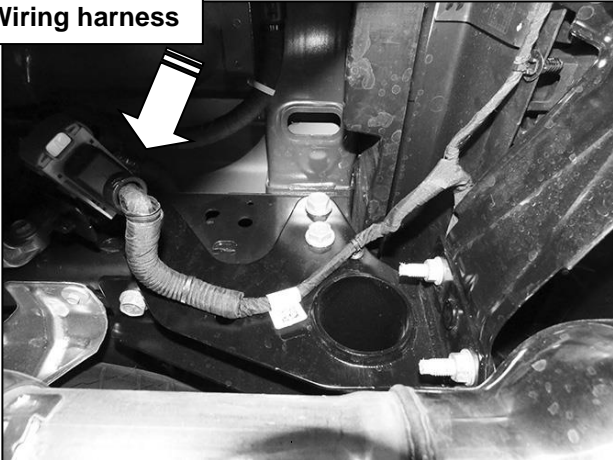
- a. Remove the sensor from the back of the bumper, **(Figure 9)**. **NOTE:** It may be necessary to partially disassemble the plastic bumper panel to remove the sensor.
  - b. Attach the sensor to tabs on back of bumper with included (2) 4mm x 16mm Button Head Screws, (4) 4mm Flat Washers, (2) 4mm Lock Washers and (2) 4mm Hex Nuts, **(Figures 10 & 11)**. Do Not Overtighten 4mm hardware or damage to sensor could result.
- 6. Attach factory wiring harness to Bumper, **(Figure 12)**. Plug harness into sensors as equipped. **IMPORTANT:** Run the wiring harness above the Brackets to clear the exhaust tips. It may be necessary to remove a portion of the outer wiring cover on the harness to allow the harness to reach the sensors.
  - 7. With assistance, position the Bumper up to the bumper brackets on the ends of the frame. Temporarily support the weight of the Bumper Assembly. **WARNING:** To avoid possible injury or damage to the vehicle, do not proceed until the Bumper is fully and safely supported.
  - 8. Line up the (2) mounting holes in the back of the driver side of the bumper with the brackets on the end of the frame. Attach the Bumper to the frame with the included (2) 12mm Hex Bolts, (4) 12mm Flat Washers and (2) 12mm Nylon Lock Nuts, **(Figures 13 & 14)**. Leave hardware loose at this time. Repeat to attach the passenger/right side of the Bumper.
  - 9. Slowly open the tail gate and check for clearance. Level and adjust the Bumper and tighten all hardware.
  - 10. Locate the mounting slots in the tabs on the back of the Bumper to install lights if desired. **NOTE:** Lights not included.
  - 11. Select the License plate light, **(Figure 15)**. Insert the light into the hole in the Bumper. Connect the wire on the Light to the license plate light harness.
  - 12. Insert the trailer plug into the opening in the Bumper if equipped. Insert the included (2) push-in plugs to attach the license plate to the Bumper, **(Figures 15 & 16)**. Reuse factory hardware to attach license plate to plastic plugs in Bumper.
  - 13. Reattach the bumper wiring harness to the main wiring harness.
  - 14. Do periodic inspections to the installation to make sure that all hardware is secure and tight.

**To protect your investment,** Do not use any type of polish or wax that may contain abrasives that could damage the finish. Mild soap may be used to clean the Bumper assembly.

**HD REPLACEMENT REAR BUMPER  
2019-20 RAM 1500 (EXCLUDES "CLASSIC")**

**Driver/left side installation pictured**

**Wiring harness**



**(Fig 1) Unplug wiring harness leading to bumper**



**(Fig 2) Remove license plate to access and remove (2) hex bolts (arrows)**



**(Fig 3) Remove hex nuts to remove bumper (arrow)**



**(Fig 4) Factory bumper assembly removed**



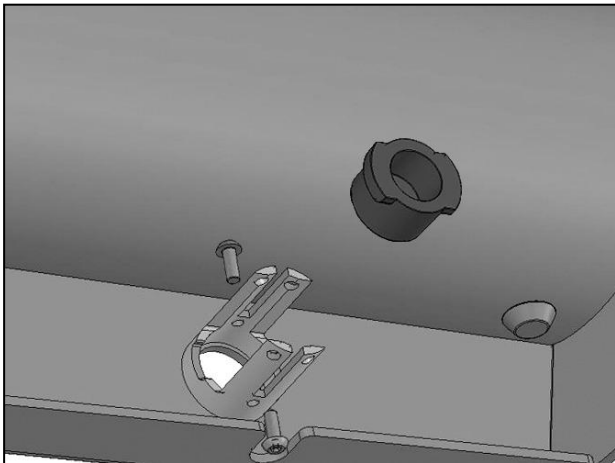
**(Fig 5) Remove remote antenna (Fig 10), parking sensors and wiring harness as equipped**

**WARNING!** Do not remove bumper bolts unless the bumper is properly supported on blocks or stands or the bumper may fall.

Models with dual exhaust, allow exhaust to completely cool before starting installation

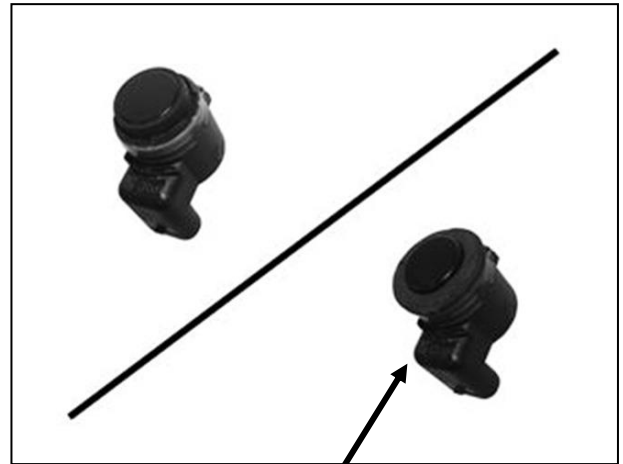
**HD REPLACEMENT REAR BUMPER  
2019-20 RAM 1500 (EXCLUDES "CLASSIC")**

**Driver/left side installation pictured**

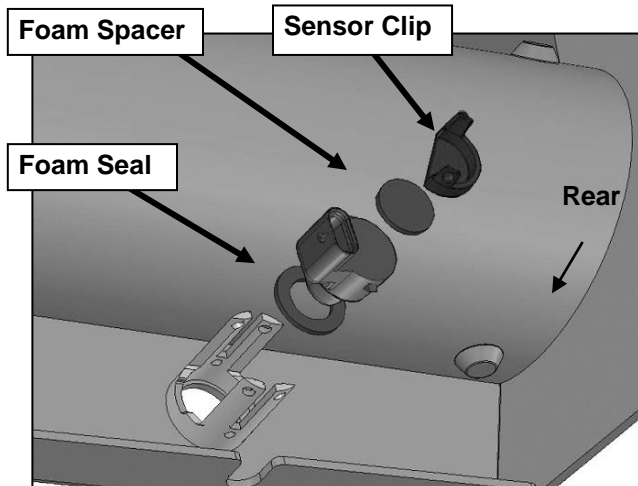


**(Fig 6) Push Rubber Plug into sensor mounting sleeve. Use 4mm Screws to lock plugs in place.**

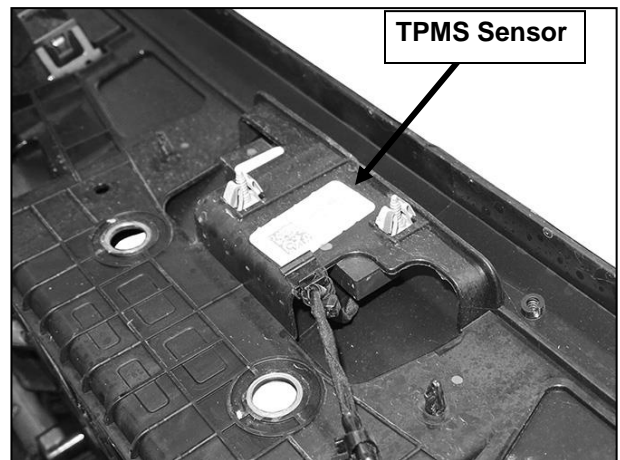
**WARNING!** Do not crawl under bumper unless the bumper is properly supported on blocks or stands or the bumper may fall.



**(Fig 7) Remove silicone seal from sensor. Slide large Seal over end of sensor (arrow)**



**(Fig 8) Slide sensor into sleeve, insert Foam Washer and Clip to lock sensor in sleeve**



**(Fig 9) Remove tire pressure monitoring sensor from back of bumper, if equipped**

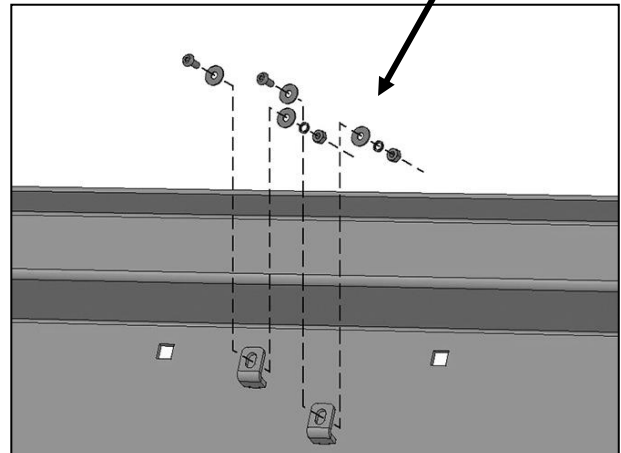
**HD REPLACEMENT REAR BUMPER  
2019-20 RAM 1500 (EXCLUDES "CLASSIC")**

**Driver/left side installation pictured**

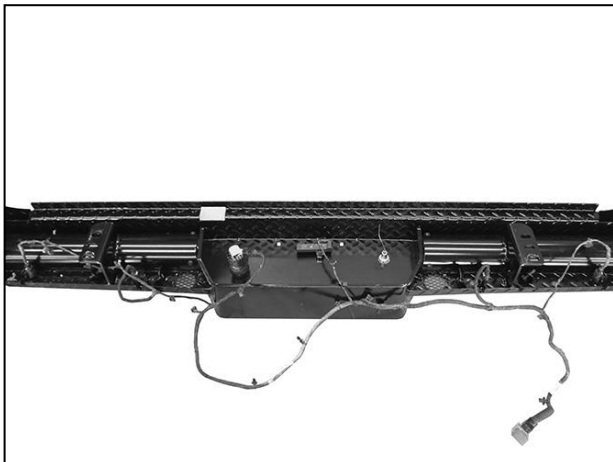


**(Fig 10) Tire pressure monitoring sensor (TPMS)**

- (2) 4mm x 16mm Screws**
- (4) 4mm Flat Washers**
- (2) 4mm Lock Washers**
- (2) 4mm Hex Nuts**

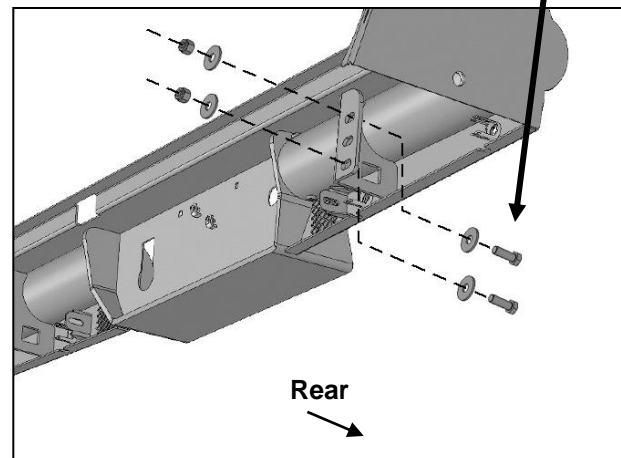


**(Fig 11) Attach TPMS sensor to back of Bumper**



**(Fig 12) Attach factory wire harness to Bumper and plug into sensors**

- (2) 12mm x 35mm Hex Bolts**
- (4) 12mm Flat Washers**
- (2) 12mm Nylon Lock Nuts**

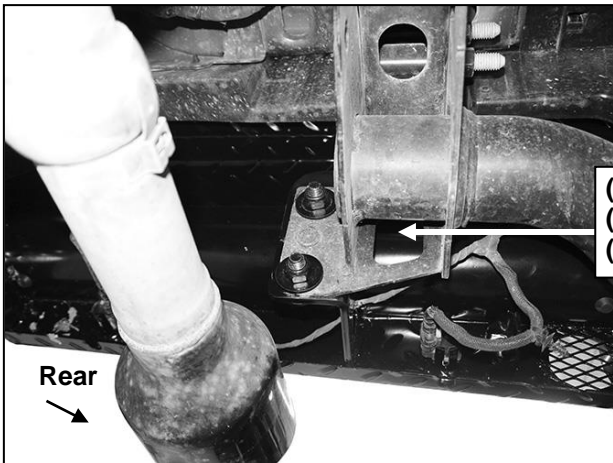


**(Fig 13) Driver/left side illustrated**

**WARNING!** Do not crawl under bumper unless it is properly supported on blocks or stands or the bumper may fall.

**HD REPLACEMENT REAR BUMPER  
2019-20 RAM 1500 (EXCLUDES "CLASSIC")**

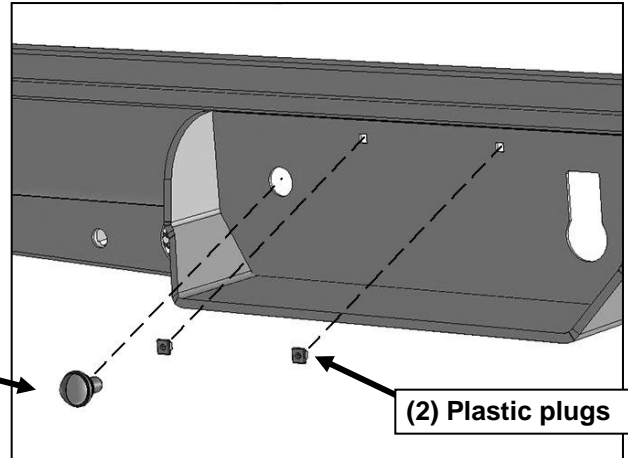
**Driver/left side installation pictured**



**WARNING!** Do not crawl under bumper unless it is properly supported on blocks or stands or the bumper may fall.

- (2) 12mm Hex Bolts
- (4) 12mm Flat Washers
- (2) 12mm Nylon Lock Nuts

**(Fig 14) Bumper attached to end of frame  
(passenger/right side pictured from behind Bumper)**



**License Plate Light**

**(2) Plastic plugs**

**(Fig 15) Push Plastic Plugs for license plate and tow plug into place. Carefully bend locking tab on tow plug outward if necessary**



**(Fig 16) Attach License Plate Light  
wire to wiring harness**

