



**Assembly, Installation, Operation and
Maintenance Instructions
REAR BUMPER**

**Part Number:
JL013T**

240 minutes

Dealer / Installer: Provide a copy of these instructions to the end user of this product. These instructions provide important operating and safety information for proper usage of this product. Demonstrate the proper use of the product with the end user. Have the end user demonstrate that they understand the proper use of the product.

End User: Read and follow all instructions included in this manual. Ask your Dealer / Installer for assistance if you do not understand the proper use of the product. Never remove any decals from the product. Failure to follow these instructions can result in injury or death.

⚠️ WARNING ⚠️

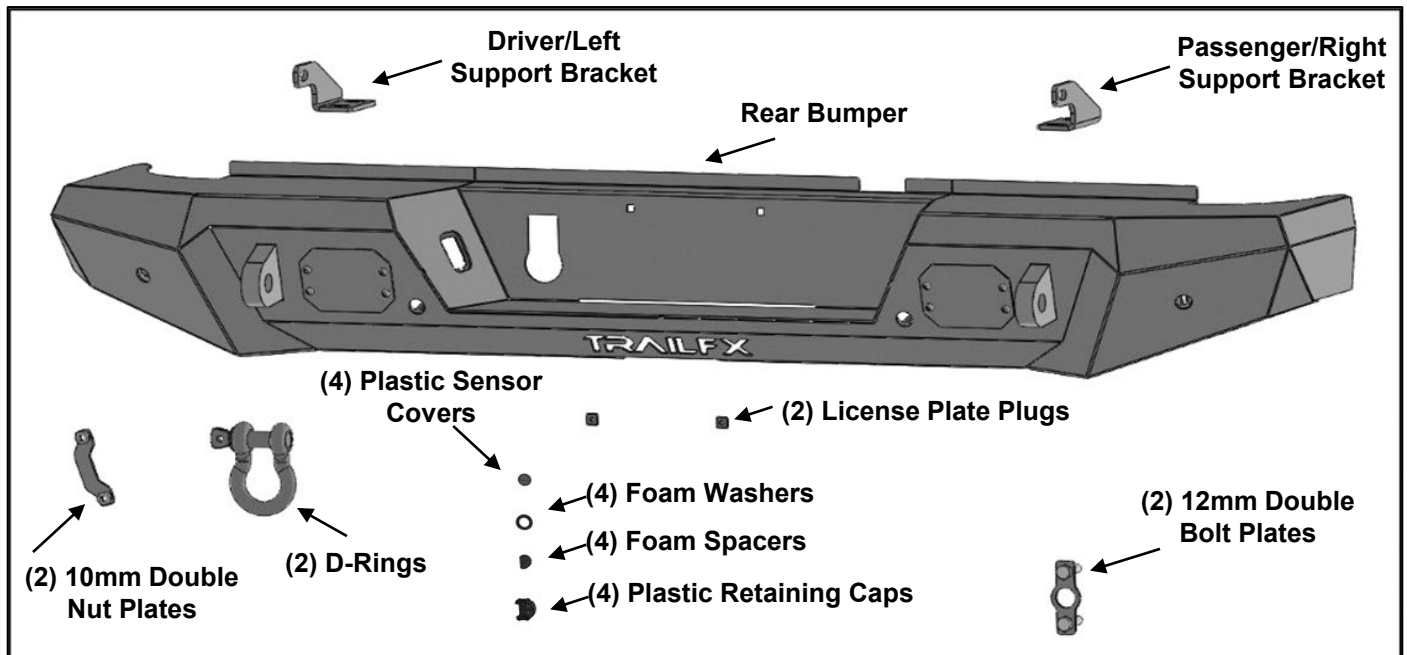
APPLICATION: 2020-2022 JEEP GLADIATOR JT

PARTS LIST

Qty	Part Description	Qty	Part Description
1	TrailFX Rear Bumper	6	12-1.75mm x 40mm Hex Bolts
1	Driver/Left Support Bracket	16	12mm x 32mm OD x 3mm Flat Washers
1	Passenger/Right Support Bracket	10	12mm Lock Washers
2	D-Rings	10	12mm Hex Nuts
4	Plastic Sensor Covers	4	12mm Plastic Retainers
4	Plastic Retaining Caps	4	10mm x 30mm Hex Bolts
4	10mm x 20mm Foam Spacers	4	10mm x 30mm OD x 2.5mm Flat Washers
4	15.5mm x 25mm OD x 2mm Foam Washers	4	10mm Lock Washers
1	Sensor Cover Kit	2	10mm Nut Plates
2	License Plate Plugs	8	4mm Self Tapping Screws
2	12-1.75mm x 45mm Double Bolt Plates	1	2.5mm Hex Wrench

TORQUE SPECIFICATION

Size	Torque	Size	Torque
12 MM	70 ft/lbs	10 mm	34.5 ft/lbs



INSTALLATION PROCEDURE:

REMOVE CONTENTS FROM BOX. VERIFY ALL PARTS ARE PRESENT. READ INSTRUCTIONS CAREFULLY BEFORE STARTING INSTALLATION. BUMPER IS HEAVY, ASSISTANCE IS RECOMMENDED TO AVOID POSSIBLE INJURY OR DAMAGE TO THE VEHICLE.

1. Start installation from under the rear bumper. Unplug the trailer plug, sensors and wiring harnesses leading to the rear bumper, (Figures 1 & 2).
2. Remove the (2) lower factory bolts attaching the bumper to the receiver hitch, (Figure 3).
3. Remove the rear license plate to reveal (2) factory bolts. Remove the (2) bolts, (Figure 4).
4. Determine if vehicle is equipped with rear bed guards

For vehicles not equipped with bed guards:

- a) Skip to Step 5.

For vehicles equipped with bed guards:

- a) Move to the Driver/Left side of the vehicle. Remove the lower factory bolt that attaches the bed guard to the receiver hitch, (Figure 5).
 - b) Remove the (2) upper factory bolts that attaches the bed guard to the frame, (Figure 6).
 - c) Remove the (2) factory bolts that attaches the bed guard to the rear bumper, (Figure 7). NOTE: Keep the (2) factory nuts attaching the bumper to the hitch.
 - d) Repeat previous Steps to remove the Passenger/Right bed guard.
5. Place blocks or jack stands under the bumper to support it during mounting nut removal. Once the bumper has been safely supported, remove the factory hardware attaching the bumper brackets to the receiver hitch. (Figure 7). IMPORTANT: Assistance is highly recommended to hold bumper in position during hardware removal.
 6. Slide the bumper over the tow hooks and place on a smooth, clean surface, (Figure 8).
 7. Remove the tow hooks, (if equipped). Tow hooks cannot be reattached after Bumper is installed.
 8. Depending on tow package, it may be necessary or easier to install sensors at this time, (if equipped)

For vehicles not equipped with front sensors:

- a) Select the included (4) Plastic Sensor Covers.
- b) From the front of the bumper, push Covers into sensor sleeves, (Figure 9).

For vehicles equipped with front sensors:

- a) Remove the silicone seal from the end of the sensor. Slide the 15.5mm x 25mm x 2mm Foam Washer over front of sensor.
 - b) Insert sensor with Foam Washer into sensor sleeve.
 - c) Place (1) Foam Spacer over end of sensor. Push Sensor Retaining Cap onto sensor mount and lock into mounting holes, (Figure 10).
 - d) Repeat previous Steps to install remaining sensors
9. Determine if Lights will be attached, (lights not included)
 - a) Select (1) light. Remove the cover panel attached to the Bumper, (Figure 11).
 - b) Attach light to the Driver/Left location on the back of the Bumper.
 - c) Follow manufacturer's instructions to properly wire the light to the vehicle electrical system.
 - d) Repeat previous Steps to attach (1) light to the Passenger/Right side.
 10. Select the Driver/Left Support Bracket. Attach the Bracket to the top of the receiver hitch with (2) 12mm Hex Bolts, (4) 12mm Flat Washers, (2) 12mm Lock Washers and (2) 12mm Hex Nuts, (Figures 12 & 13). Do not tighten hardware. Repeat this Step to attach the Passenger/Right Support Bracket to the hitch.

11. Select (1) 12mm Double Bolt Plate. Insert the Bolt Plate into the Driver/Left side of the Bumper. Thread (2) 12mm Plastic Retainers onto the Bolt Plate to hold it in place, (Figure 14). Repeat this Step to insert (1) 12mm Bolt Plate into the Passenger/Right side of the Bumper.
12. With assistance, hold the Bumper up to the hitch and Support Brackets. Temporarily support the weight of the Bumper. **WARNING:** To avoid possible injury or damage to the vehicle, do not proceed until the bumper is fully and safely supported.
13. Attach the Bumper to the hitch with (4) 12mm Flat Washers, (4) 12mm Lock Washers and (4) 12mm Hex Nuts, (Figure 15). Do not tighten hardware.
14. Attach the Bumper to the Support Brackets with (2) 12mm Hex Bolts, (4) 12mm Flat Washers, (2) 12mm Lock Washers and (2) 12mm Hex Nuts, (Figure 16). Do not tighten hardware.
15. Slowly open tailgate and check for clearance. Level and adjust the Bumper and tighten all hardware.
16. For models with bed Guards attach the Bumper to the bed guards with (2) 10mm Double Nut Plates, (4) 10mm Hex Bolts, (4) 10mm Lock Washers and (4) 10mm Flat Washers.
17. Install the license plate lights.
18. Reattach the towing harness plug (if equipped) into the Bumper.
19. Attach the (2) D-Rings to the Bumper, (Figure 17).
20. Attach the license plate to the (2) holes in the Bumper with the included (2) 6mm Screws, (4) 6mm Flat Washers, (2) 6mm Lock Washers and (2) 6mm Hex Nuts. (Figure 18).
21. Reattach to wiring harnesses.
22. Do periodic inspections to the installation

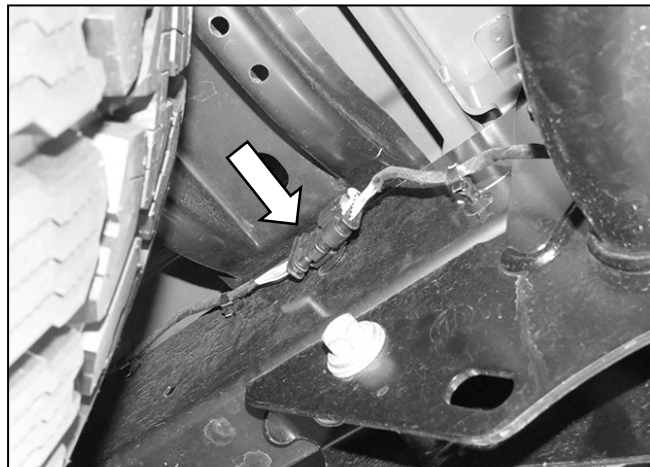
To protect your investment, Do not use any type of polish or wax that may contain abrasives that could damage the finish. Mild soap may be used to clean the Bumper assembly.

INSTALLATION IMAGES:

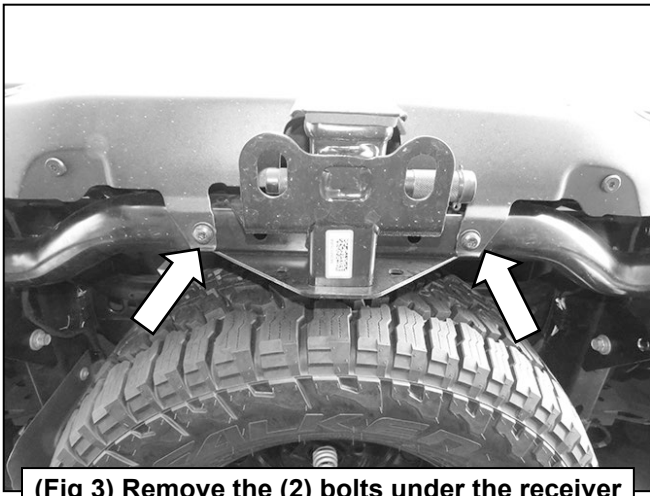
Driver/Left Side Installation Pictured



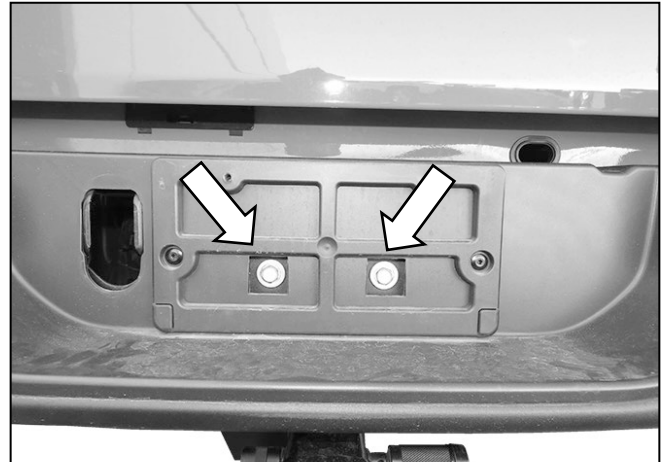
(Fig 1) Unplug the trailer plug, License plate lights and sensors



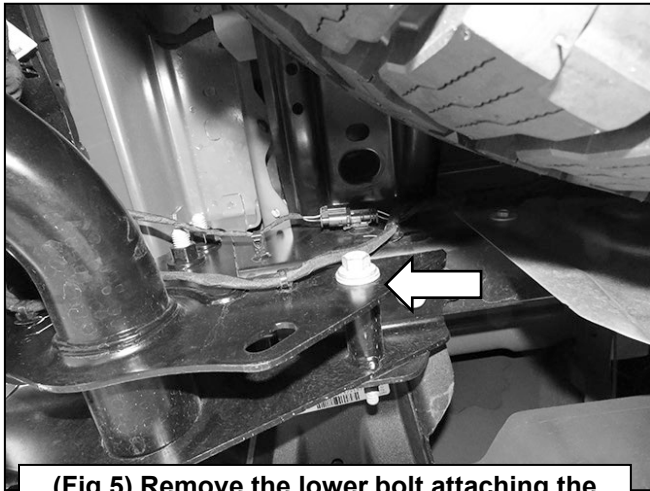
(Fig 2) Unplug the wiring harnesses on both sides of the frame that leads to the bumper



(Fig 3) Remove the (2) bolts under the receiver hitch



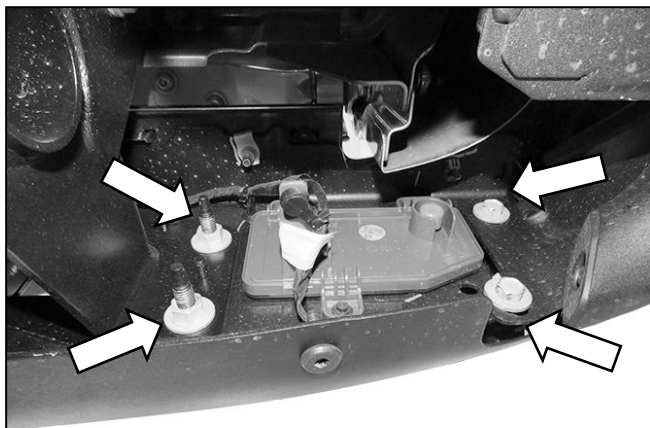
(Fig 4) Remove the (2) bolts under the license plate



(Fig 5) Remove the lower bolt attaching the rock rail (if equipped) to the receiver hitch



(Fig 6) Remove the (2) upper bolts attaching the rock rail (if equipped) to the receiver hitch

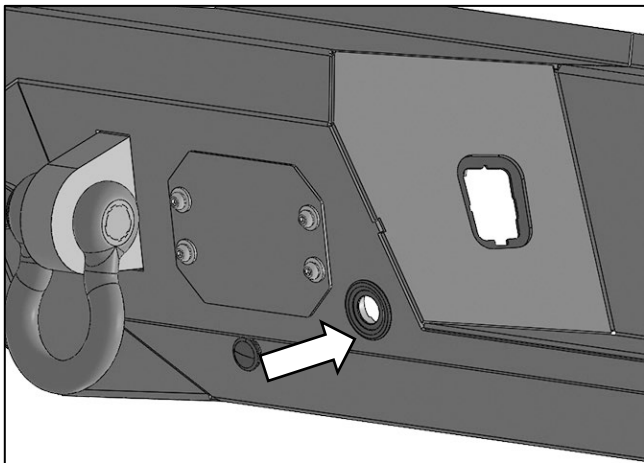


(Fig 7) Remove the bolts to rock rail (if equipped). Remove the factory nuts to remove the bumper

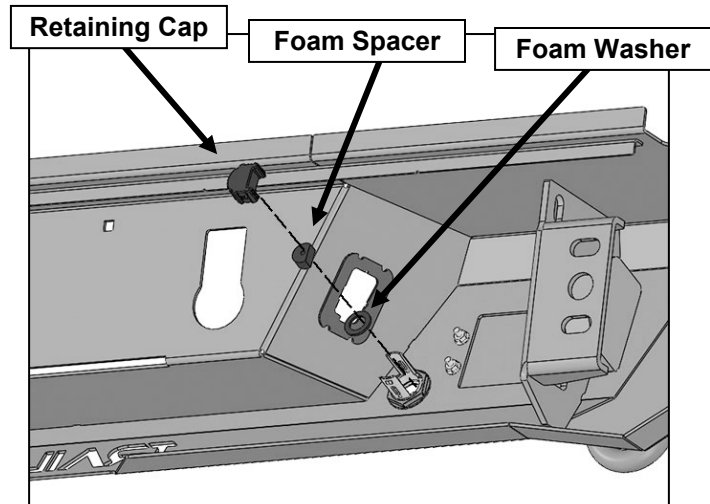
WARNING! Do not remove bumper bolts unless the bumper is properly supported on blocks or stands or the bumper may fall.



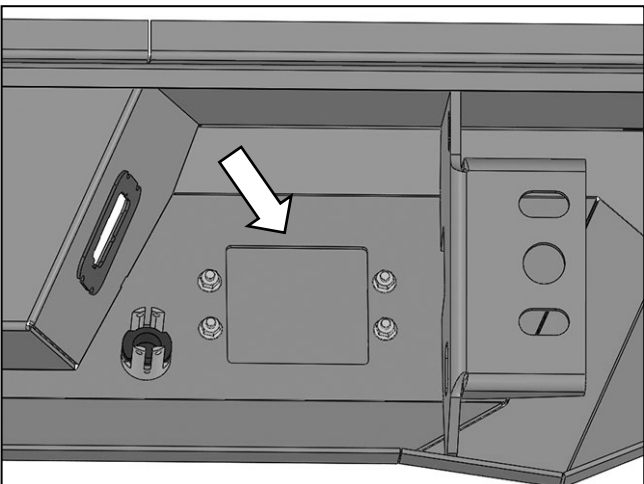
(Fig 8) Factory bumper removed



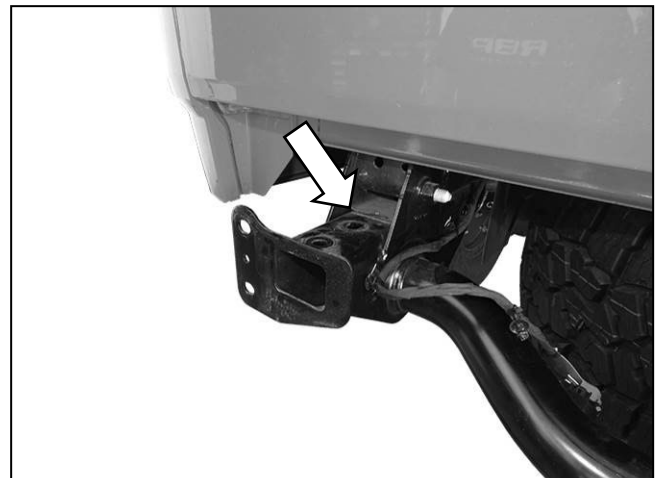
(Fig 9) Push Sensor Plug into mounting sleeve (Optional, use 4mm Screws to lock plug in place)



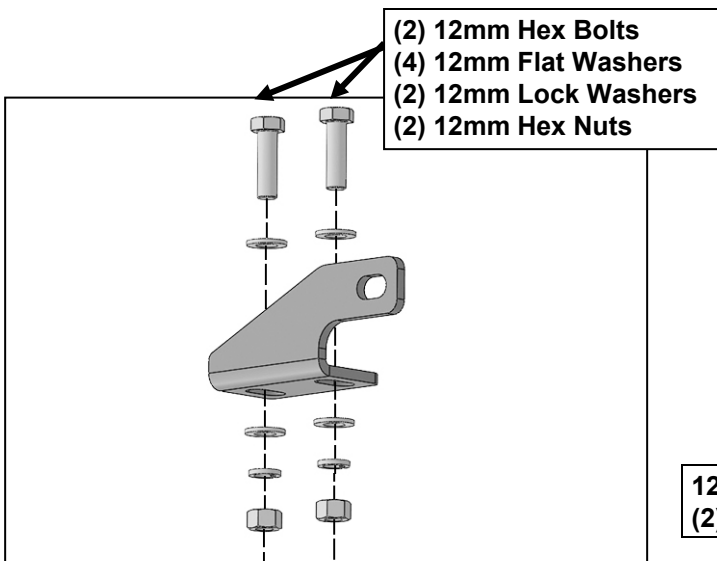
(Fig 10) Push Sensor into mounting sleeve (Optional, use 4mm Screws to lock sensor in place)



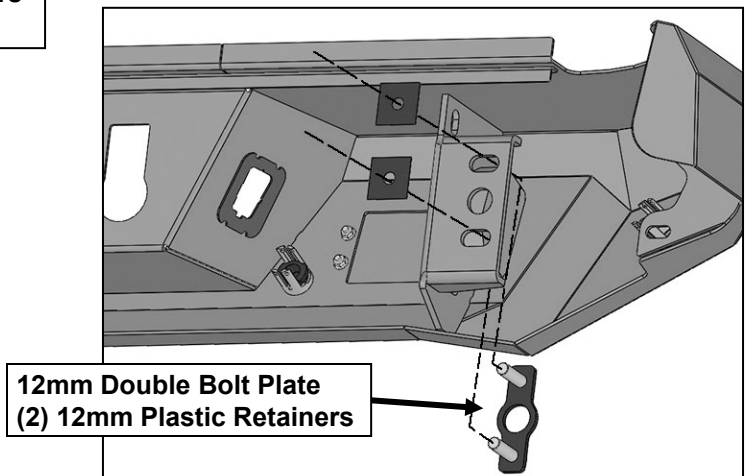
(Fig 11) Remove cover panel to install light (light not included)



(Fig 12) Attach the Driver/Left Support Bracket to the top of the receiver hitch, (behind the bumper mounting plate)

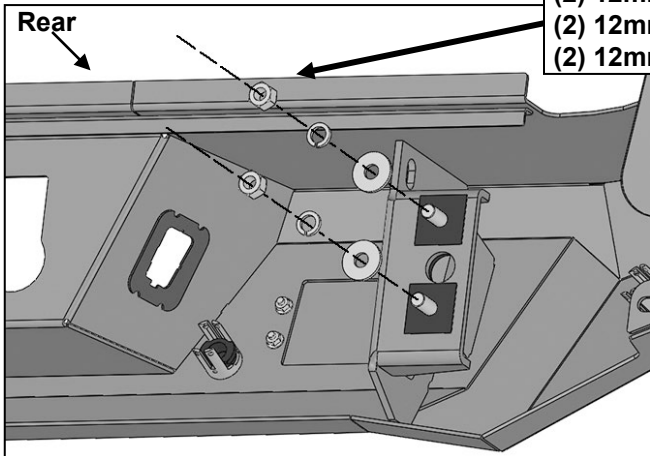


(Fig 13) Attach the Driver/Left Support Bracket to the top of the receiver hitch



(Fig 14) Insert (1) 12mm Double Bolt Plate into the back of the bumper. Thread (2) Plastic Retainers onto the bolt plate to hold in place

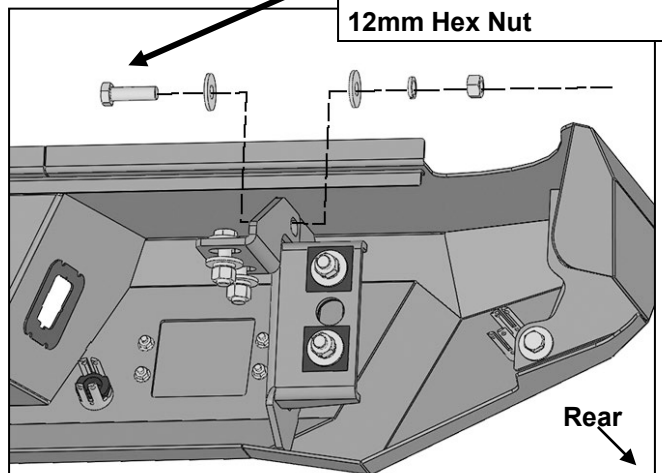
- (2) 12mm Flat Washers
- (2) 12mm Lock Washers
- (2) 12mm Hex Nuts



(Fig 15) Attach the Bumper to the receiver hitch

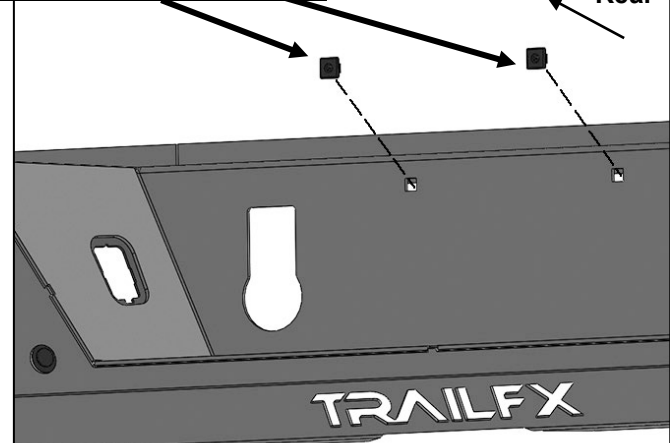
WARNING! Do not crawl under bumper unless the bumper is properly supported on blocks or stands or the bumper may fall.

- 12mm Hex Bolt
- (2) 12mm Flat Washers
- 12mm Lock Washer
- 12mm Hex Nut

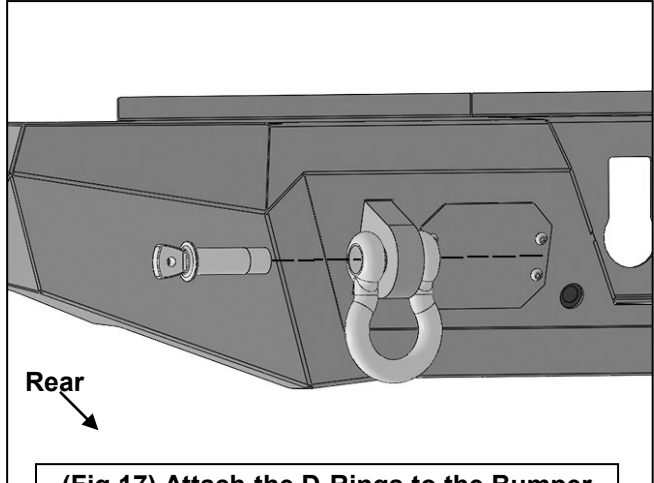


(Fig 16) Attach the Bumper to the Driver/Left Support Bracket

- (2) License Plate Plugs



(Fig 18) Insert the License Plate Plugs into the front of the Bumper



(Fig 17) Attach the D-Rings to the Bumper

PRODUCT CARE

- Periodically check the product to ensure all fasteners are tight and components are intact.
- Regular waxing is recommended to protect the finish of the product.
- Use **ONLY** Non-Abrasive automotive wax. Use of any soap, polish or wax that contains an abrasive is detrimental and can scratch the finish leading to corrosion.
- Mild soap may be used to clean the product for Black finish.

FAQ's

1. Hardware and mounting brackets are not aligning properly

Ensure that hardware is being used on the correct side of vehicle. In some cases, the hardware may appear the same for driver and passenger side but may alter the alignment of mounting location. Check mounting brackets for both sides.

2. Products are thumping / rattling after installation

Ensure that all required mounting brackets / hardware's are installed & tightened correctly.
Suggest using white Lithium / regular grease between metal-to-metal contact.

3. Missing / Excess Hardware

Recheck hardware count as per the part list.

4. Product not installing properly

Ensure the Year / Make / Model as well as cab and bed dimensions are correct for the application. Review all steps for installation to ensure they were followed correctly.

5. Who should be contacted for questions regarding product / installation assistance?

www.trailfx.com / support@trailfx.com or 1-(866) 638-48700

Warranty Terms:

Black Powder Coated:

3 Year Limited Warranty

TrailFX and Keystone Automotive Operations Inc. make no guarantees or warranties for products not manufactured by Keystone Automotive Operations Inc. Such products are covered solely under any applicable warranty of the manufacturer. It is always recommended that the operating instructions and warranty instructions provided by the manufacturer are followed.

Keystone Automotive Operations Inc. warrants its products to be free from manufacturing and material defects to the original purchaser for the length of warranty stated above from the date of retail purchase. If any products are found to have a manufacturing or material defect, the product will be replaced or repaired at the option of TrailFX and Keystone Automotive Operations Inc. with proof of purchase by the original purchaser. The original purchaser shall pay all transportation and shipping costs associated with the return of the defective product and the defective product shall become the property of Keystone Automotive Operations Inc.

The Warranty applies to Keystone Automotive Operations Inc. products used for individual and recreational purposes. Commercial usage of the Keystone Automotive Operations Inc. products limits the warranty to 90-days from date of purchase.

The Warranty applies only to Keystone Automotive Operations Inc. products which are found to be defective in manufacturing or material. This warranty does not apply to normal wear and tear of the finish placed on Keystone Automotive Operations Inc. products.

TrailFX and Keystone Automotive Operations Inc. are not responsible for any labor costs incurred for removal or replacement of the defective product.

TrailFX and Keystone Automotive Operations Inc. are not responsible for repair or replacement of any product under the limited warranty where the product was improperly installed, misapplied, altered, abused, neglected, overloaded, misused or damaged as a result of an accident, including any use of the product not in accordance with all product operating and safety instructions.

Without limiting the generality of the foregoing, TrailFX and Keystone Automotive Operations Inc. shall under no circumstances be liable for any incidental or consequential loss or damage whatsoever arising out of, or in any way relating to any such breach of warranty or claimed defect in, or non-performance of the products. Some states do not allow the exclusion or limitation of incidental or consequential damages, so the above exclusion or limitation may not apply to you.

This limited warranty gives you specific legal rights, and you may also have other rights that vary from state to state.