



**Assembly, Installation, Operation and  
Maintenance Instructions  
REAR BUMPER**

**Part Number:  
JL06T**

**180 minutes**

**Dealer / Installer:** Provide a copy of these instructions to the end user of this product. These instructions provide important operating and safety information for proper usage of this product. Demonstrate the proper use of the product with the end user. Have the end user demonstrate that they understand the proper use of the product.

**End User:** Read and follow all instructions included in this manual. Ask your Dealer / Installer for assistance if you do not understand the proper use of the product. Never remove any decals from the product. Failure to follow these instructions can result in injury or death.

**⚠️ WARNING ⚠️**

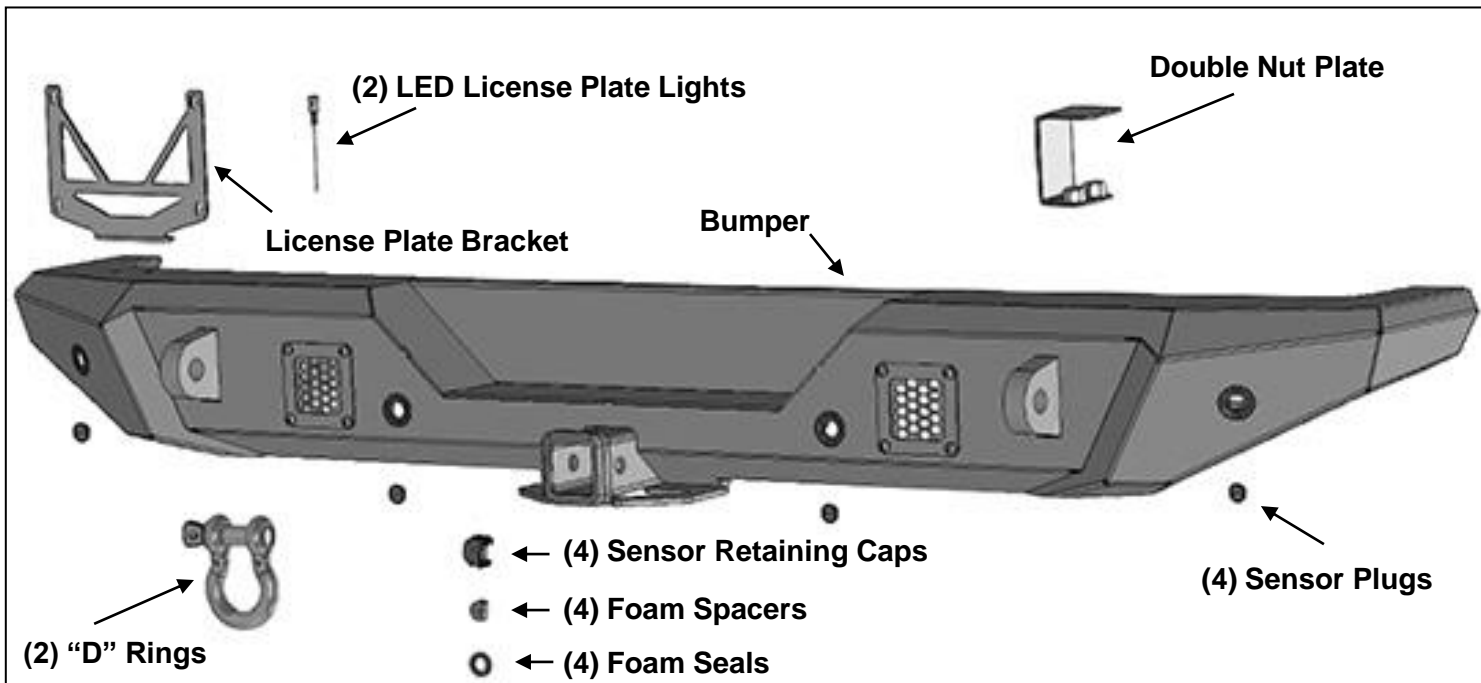
**APPLICATION: 2018-2023 JEEP WRANGLER JL**

**PARTS LIST:**

Qty	Part Description	Qty	Part Description
1	TFX Rear Bumper	2	14mm x 28mm x 2.5mm Flat Washers
1	License Plate Bracket	4	12-1.75mm x 110mm Hex Bolts
2	LED License Plate Lights	4	12mm x 37mm x 3mm Large Flat Washers
1	4-Pin Trailer Harness Bracket	4	12mm x 32mm x 3mm STD Flat Washers
2	Tow Hooks	4	12mm Lock Washers
4	Sensor Retaining Caps	4	12mm Nylon Lock Nuts
4	20mm x 10mm Foam Spacers	2	8-1.25mm x 20mm Button Head Bolts
4	15.5mm x 25mm x 2mm Foam Washers	4	8mm x 16mm x 1.6mm Flat Washers
4	Sensor Hole Plugs	2	8mm Nylon Lock Nuts
1	Sensor Cover Kit	8	4mm Self Tapping Screws
1	14-1.50mm Double Nut Plate	1	4mm Hex Wrench
2	14-1.50mm x 55mm Hex Bolts	1	5mm Hex Wrench
2	14mm Lock Washers		

**TORQUE SPECIFICATION**

Size	Torque	Size	Torque
04 MM	3.25 ft/lbs	08 MM	28 ft/lbs
12 MM	99 ft/lbs	14 MM	154 ft/lbs



## **INSTALLATION PROCEDURE:**

**REMOVE CONTENTS FROM BOX. VERIFY ALL PARTS ARE PRESENT. READ INSTRUCTIONS CAREFULLY BEFORE STARTING INSTALLATION. ASSISTANCE IS RECOMMENDED.**

**WARNING: ALLOW TIME FOR THE MUFFLER TO COMPLETELY COOL BEFORE REMOVING REAR BUMPER**

1. Start installation from under the Driver/Left side of the rear bumper. Remove the plastic cover from the back of the rear wheel opening, (Figure 1). Locate and remove the (2) hex bolts attaching the outer bracket running from the side of the frame to the outer end of the bumper, (Figure 2). Remove the (2) hex bolts attaching the bottom of the bumper to the rear crossmember if equipped, (Figure 3). Repeat this Step on the Passenger/Right side of the vehicle.
2. Unplug the wiring harness leading to the rear bumper.
3. With assistance, remove the (4) hex nuts attaching the bumper to the inner bumper brackets, (Figure 4). Slide bumper off of the inner and outer bumper brackets.
4. Remove the Driver/Left outer bumper bracket attached to the side of the frame, (Figure 4). Next, remove the (4) hex bolts attaching the tow hook to the Driver/Left side of the frame and remove the inner bumper bracket, (Figure 5).
5. Repeat Step 4 to remove the Passenger/Right side bumper brackets.
6. Insert the Double Nut Plate into the open end of the passenger/right frame. Line up the Nut Plate with the holes in the bottom of the frame, (Figure 6).
7. Determine if the vehicle is equipped with bumper mounted sensors. NOTE: Depending on tow package, it may be necessary or easier to install sensors, (if equipped), and harness before installing the Bumper.

### **Models without bumper sensors:**

- a. From outside of bumper, push Plastic Plugs into sensor mounts, (Figure 7)

### **Models with bumper mounted sensors:**

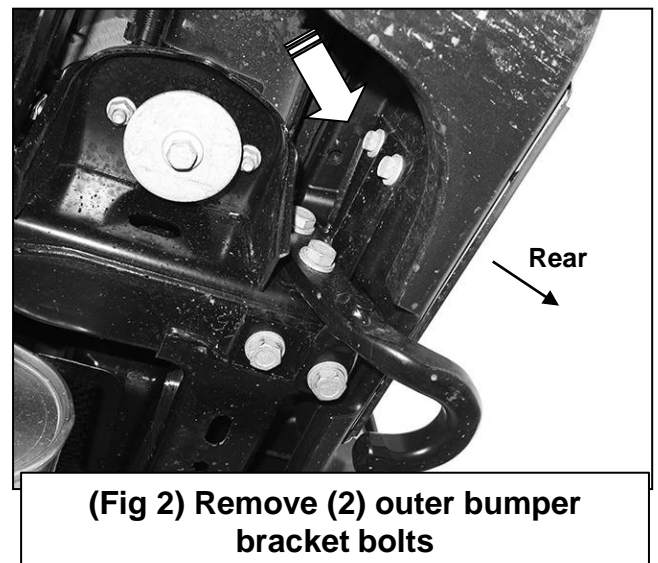
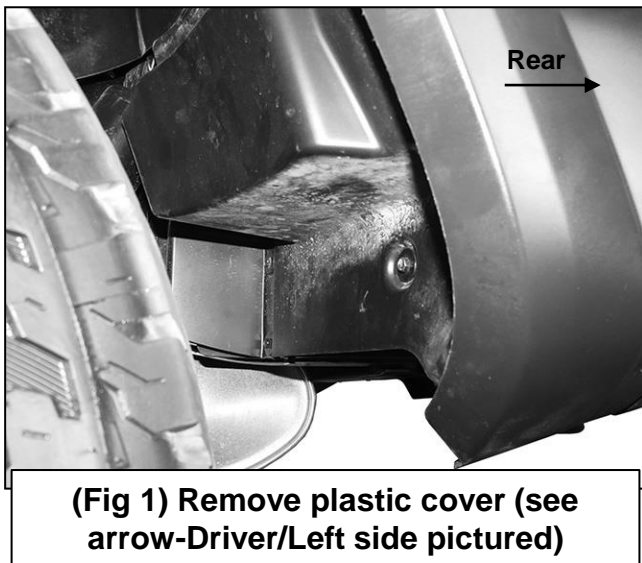
- a. Disassemble the factory bumper to remove the wiring harness and sensors)
- b. Select (1) sensor. Remove the seal from the end of the sensor. Slide the included flat Foam Seal Washer over front of the sensor, (Figure 8)

## INSTALLATION PROCEDURE CONTINUED:

- c. Insert the sensor with Seal into sensor mount, (Figure 9).
  - d. Place the thick Foam Spacer over end of the sensor. Push Retaining Cap onto sensor mount and snap into mounting holes, (Figure 9).
  - e. Repeat previous Steps to install remaining sensors.
  - f. Install wiring harness for sensors and plug harness into sensors
8. With assistance, carefully position the Rear Bumper up to the outside of the frame. Attach the Bumper to the Nut Plate in the Passenger/Right frame end with the included (2) 14mm Fine Thread Hex Bolts, (2) 14mm Lock Washers and (2) 14mm Flat Washers, (Figure 10). Reuse the factory hex bolts to attach the Bumper to the threaded inserts in the bottom and sides of the frame on both ends of the Bumper, (Figures 10—13).
  9. Attach the receiver hitch to the frame with (4) 12mm x 110mm Hex Bolts, (4) 12mm Lock Washers, (8) 12mm Flat Washers, and (4) 12mm Nylon Lock Nuts, (Figure 14). Do not tighten hardware at this time. Attach (1) 4-pin Wiring Harness Bracket to outer bolt, (Optional).
  10. Level and adjust the Rear Bumper and tighten all hardware at this time.
  11. Select (2) "D" Ring Tow Hooks. Attach the Rings to the mounts on the bumper, (Figure 15). (Optional)
  12. Select the License Plate Bracket. Attach Bracket to top of Bumper with (2) 8mm x 20mm Hex Bolts, (4) 8mm Flat Washers and (2) 8mm Nylon Lock Nuts, (Figure 16). Select the (2) LED License Plate Lights. Attach the Lights to the bottom (2) holes in the license plate and Bracket, (Figure 17). Attach the wiring on the License Plate Lights to the wire harness for the factory license plate light.
  13. On models with sensors, plug-in the bumper wiring harness to the main harness.
  14. Do periodic inspections to the installation to make sure that all hardware is secure and tight

*To protect your investment, Do not use any type of polish or wax that may contain abrasives that could damage the finish. Mild soap may be used to clean Bumper.*

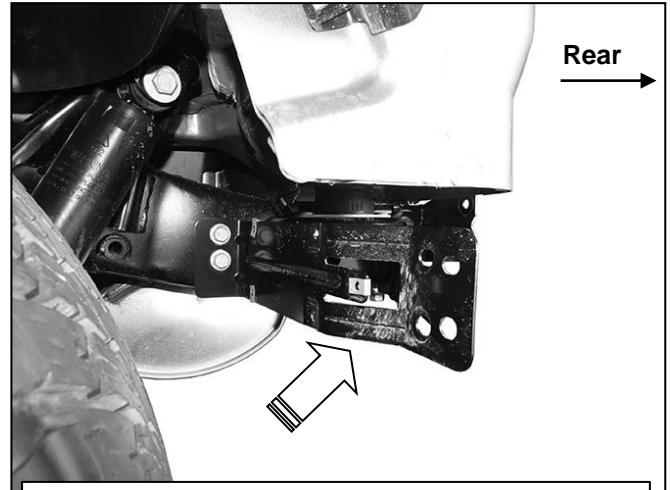
## INSTALLATION PROCEDURE IMAGES:



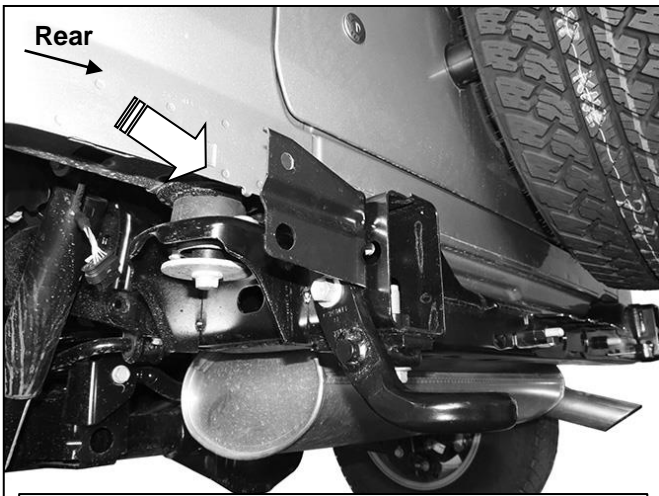
**INSTALLATION PROCEDURE IMAGES CONTINUED:**



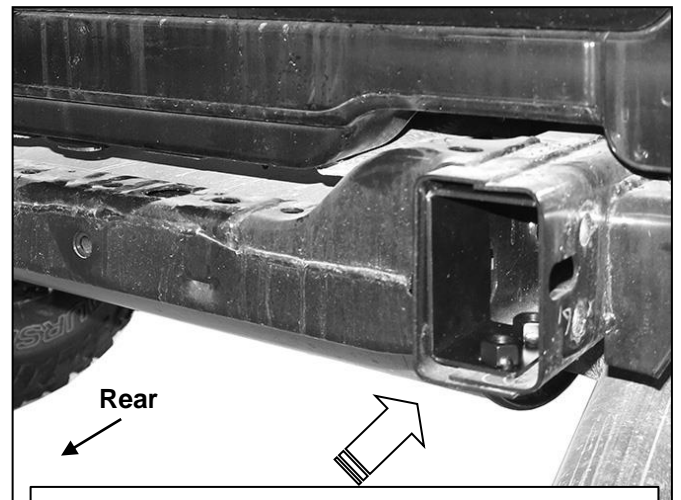
**(Fig 3) Remove (2) hex bolts attaching bottom of bumper to frame cross member**



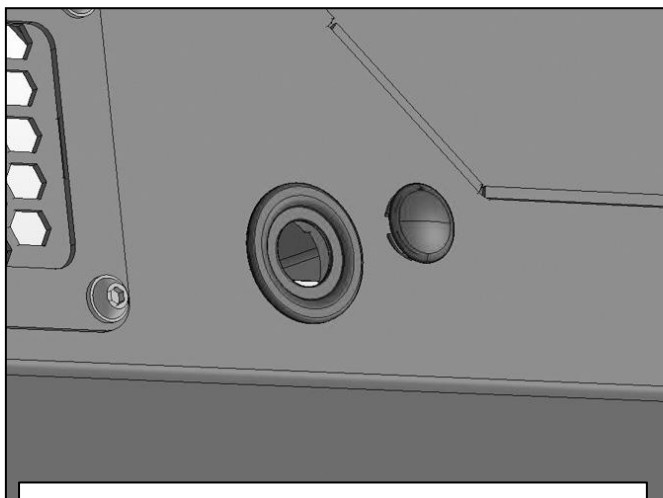
**(Fig 4) Remove outer bumper bracket from side of frame**



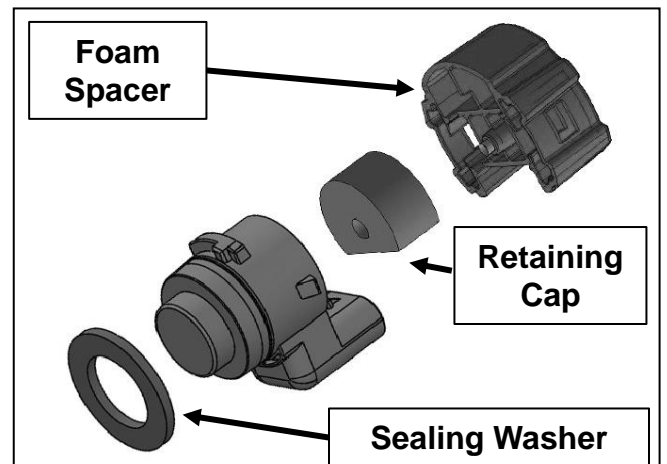
**(Fig 5) Remove tow hook and inner bumper bracket from side of frame**



**(Fig 6) Insert Double Nut Plate (arrow) into Passenger/Right end of frame**

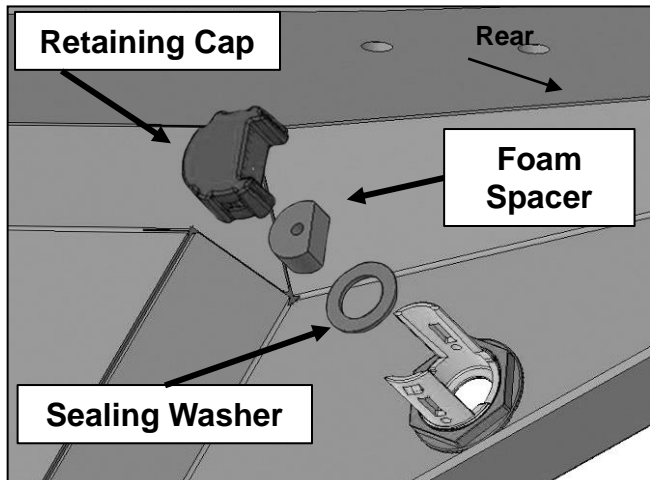


**(Fig 7) Push Plugs into sensor mounts**

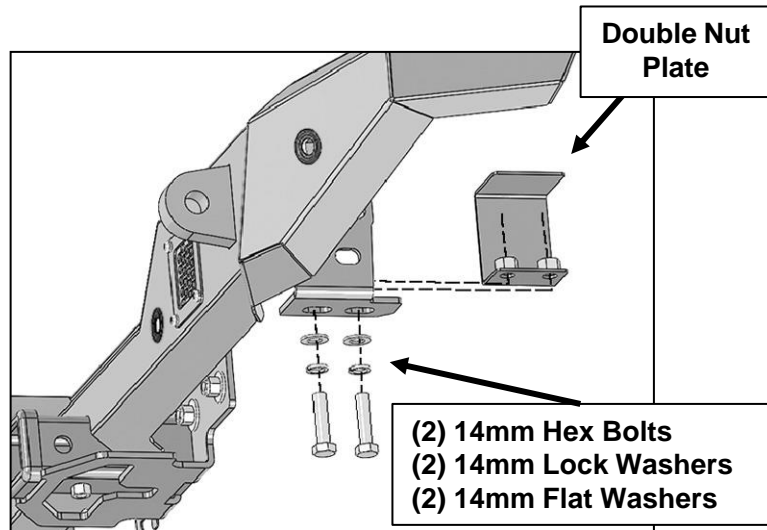


**(Fig 8) Remove factory seal and push Flat Sealing Washer onto end of sensor**

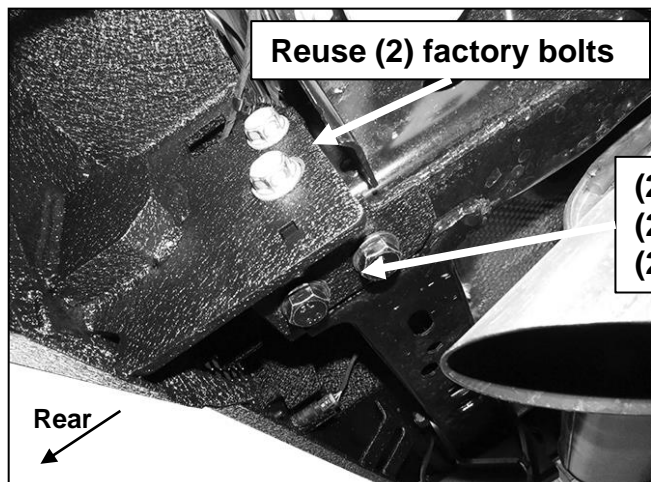
# INSTALLATION PROCEDURE IMAGES CONTINUED:



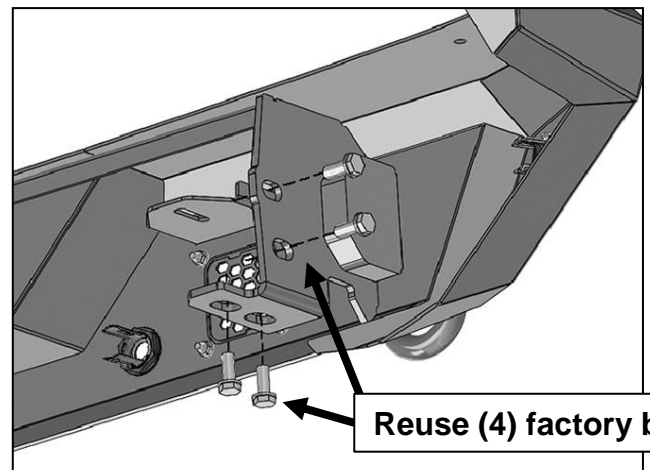
(Fig 9) Push sensor with Sealing Washer into mount



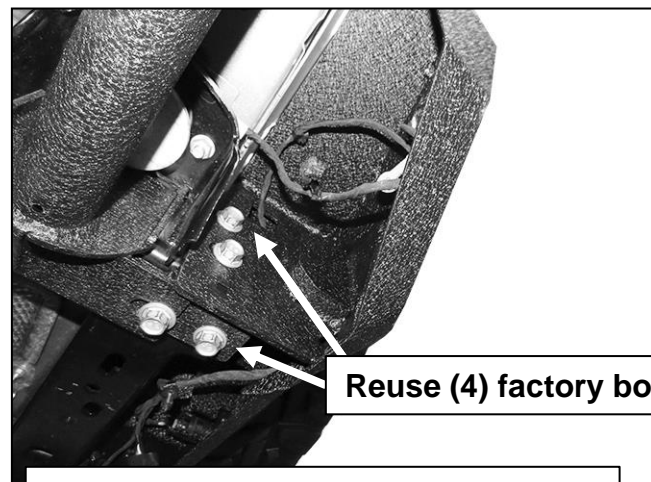
(Fig 10) Attach Passenger/Right side of Bumper to Double Nut Plate. Reuse (2) factory hex bolts to attach Bumper to side of frame (see Fig 11)



(Fig 11) Passenger/Right side of Bumper installed

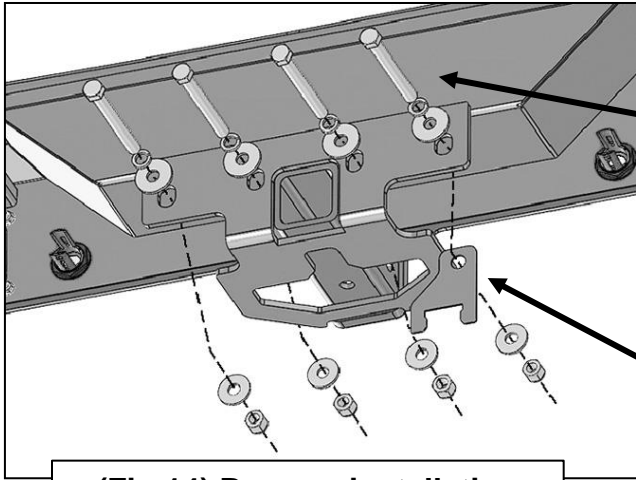


(Fig 12) Driver/Left side of Bumper installation



(Fig 13) Driver/Left side of Bumper installed

**INSTALLATION PROCEDURE IMAGES CONTINUED:**

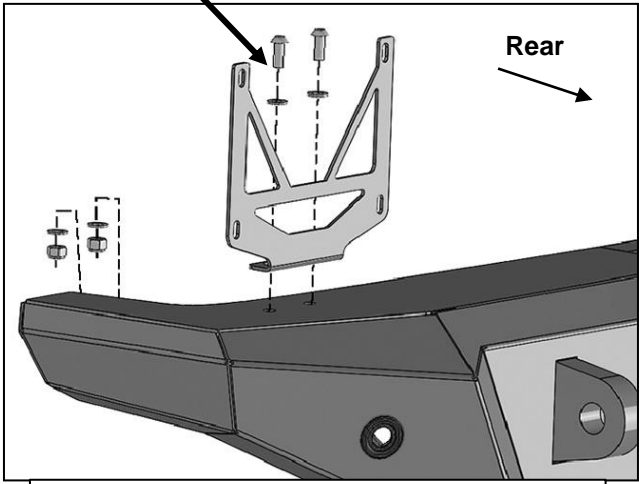


- (4) 12mm Hex Bolts
- (8) 12mm Lock Washers
- (4) 12mm Flat Washers
- (4) 12mm Nylon Lock Nuts

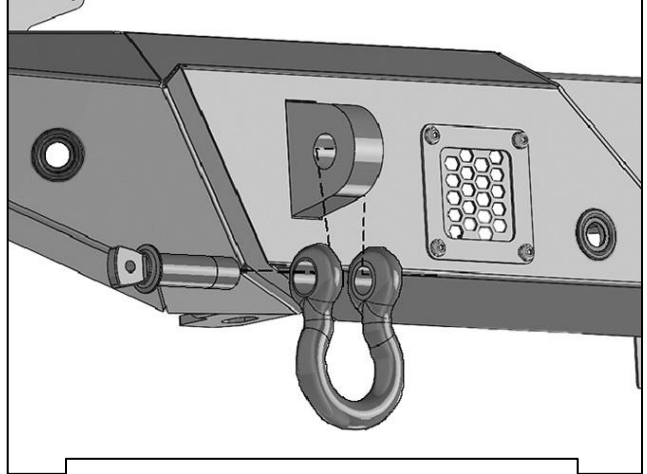
**4-Pin Wiring Harness Bracket**

**(Fig 14) Bumper installation**

- (2) 8mm Hex Bolts
- (4) 8mm Flat Washers
- (2) 8mm Nylon Lock Nuts

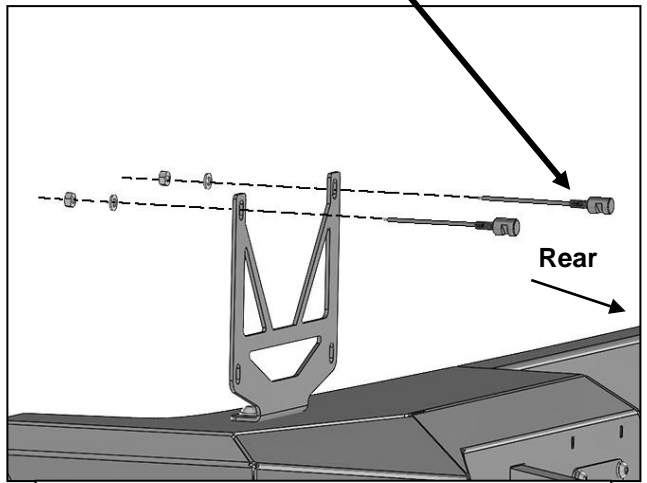


**(Fig 16) Attach License Plate Bracket to the top of the Driver/Left side of the Bumper**



**(Fig 15) Tow Hook installation**

**(2) LED License Plate Lights**



**(Fig 17) Attach license plate lights and license plate to Bracket**

## **PRODUCT CARE:**

- Periodically check the product to ensure all fasteners are tight and components are intact.
- Use ONLY Non-Abrasive automotive wax. Use of any soap, polish or wax that contains an abrasive is detrimental and can scratch the finish leading to corrosion.
- Mild soap may be used to clean the Black finish product.

## **FAQ'S**

- **Hardware and mounting brackets are not aligning properly**
  - Ensure that hardware is being used on the correct side of the vehicle. In some cases, the hardware may appear same for driver or passenger side but may alter the alignment of mounting location. Check mounting brackets for both sides.
- **Products are thumping / rattling after installation**
  - Ensure that all required mounting brackets / hardware's are installed & tighten correctly. Suggest using white lithium / regular grease between metal-to-metal contact.
- **Missing / Excess Hardware**
  - Recheck hardware count as per the part list.
- **Product not installing properly**
  - Ensure the Year / Make / Model as well as cab and bed dimensions are correct for the application. Review all steps for installation to ensure they were followed correctly.
- **Who should be contacted for questions regarding product / installation assistance?**
  - [www.trailfx.com](http://www.trailfx.com) / [support@trailfx.com](mailto:support@trailfx.com) 1-(866) 638-4870

# Warranty Terms:

## 3 Year Limited Warranty:

TrailFX and Keystone Automotive Operations Inc. make no guarantees or warranties for products not manufactured by Keystone Automotive Operations Inc. Such products are covered solely under any applicable warranty of the manufacturer. It is always recommended that the operating instructions and warranty instructions provided by the manufacturer are followed.

Keystone Automotive Operations Inc. warrants its products to be free from manufacturing and material defects to the original purchaser for the length of warranty stated above from the date of retail purchase. If any products are found to have a manufacturing or material defect, the product will be replaced or repaired at the option of TrailFX and Keystone Automotive Operations Inc. with proof of purchase by the original purchaser. The original purchaser shall pay all transportation and shipping costs associated with the return of the defective product and the defective product shall become the property of Keystone Automotive Operations Inc.

The Warranty applies to Keystone Automotive Operations Inc. products used for individual and recreational purposes. Commercial usage of the Keystone Automotive Operations Inc. products limits the warranty to 90-days from date of purchase.

The Warranty applies only to Keystone Automotive Operations Inc. products which are found to be defective in manufacturing or material. This warranty does not apply to normal wear and tear of the finish placed on Keystone Automotive Operations Inc. products.

TrailFX and Keystone Automotive Operations Inc. are not responsible for any labor costs incurred for removal or replacement of the defective product.

TrailFX and Keystone Automotive Operations Inc. are not responsible for repair or replacement of any product under the limited warranty where the product was improperly installed, misapplied, altered, abused, neglected, overloaded, misused or damaged as a result of an accident, including any use of the product not in accordance with all product operating and safety instructions.

Without limiting the generality of the foregoing, TrailFX and Keystone Automotive Operations Inc. shall under no circumstances be liable for any incidental or consequential loss or damage whatsoever arising out of, or in any way relating to any such breach of warranty or claimed defect in, or non-performance of the products. Some states do not allow the exclusion or limitation of incidental or consequential damages, so the above exclusion or limitation may not apply to you.

This limited warranty gives you specific legal rights, and you may also have other rights that vary from state to state.