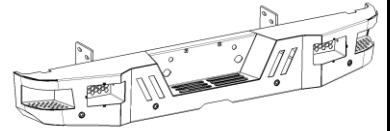




# HD REAR BUMPER

Part No. RHDB002TI



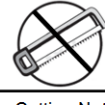
Fits: **2010-2015 DODGE RAM 2500/3500**



ASSISTANCE IS RECOMMENDED.



60-180 min



Cutting Not Required



Drilling Not Required



REMOVE CONTENTS FROM BOX. VERIFY ALL PARTS ARE PRESENT.



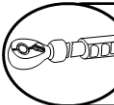
support@trailfx.com



READ INSTRUCTIONS CAREFULLY BEFORE STARTING INSTALLATION.



1 866 638 4870



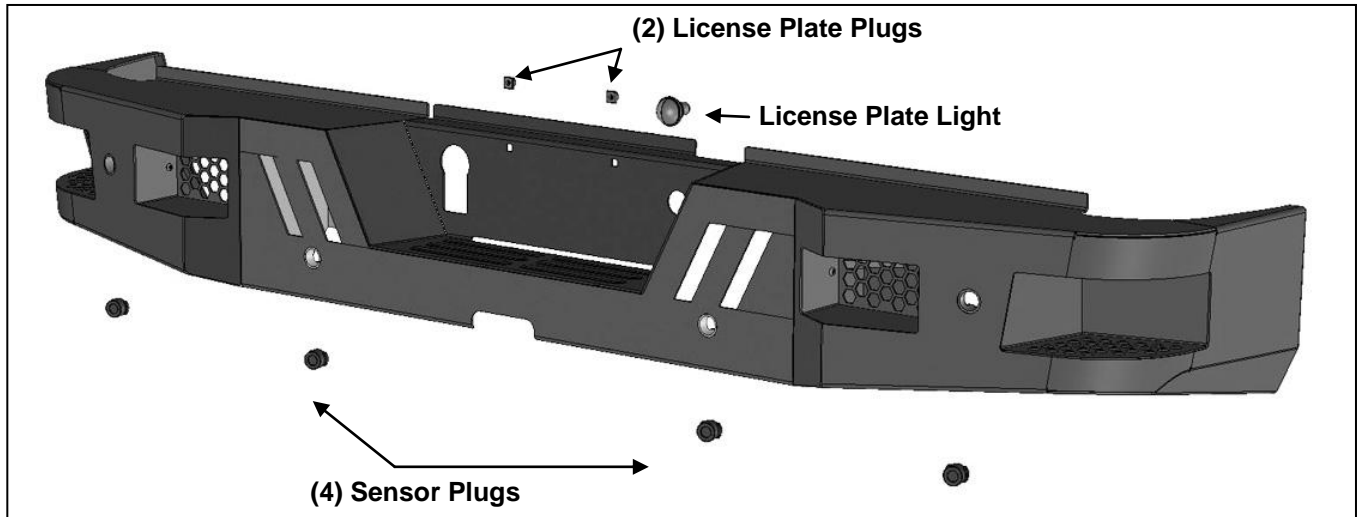
DO NOT OVER TORQUE. STANDARD OPERATING LOAD FOR TIGHTEN BODY MOUNT NUTS & BOLTS VARIES FROM 45 TO 65 FOOT POUND.



POLISHED STAINLESS STEEL – LIMITED LIFETIME  
POWDER COATED BLACK – 3 YEARS

### PARTS LIST:

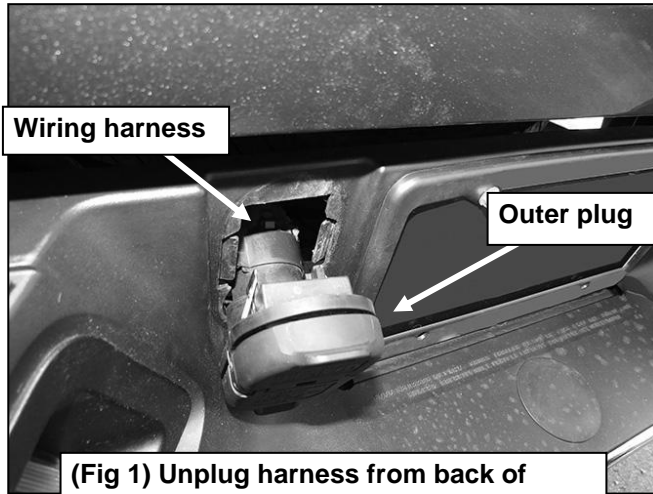
Qty	Part Description	Qty	Part Description
1	Heavy Duty Rear Bumper Assembly	8	12mm Nylon Lock Nuts
1	Push in License Plate Light	4	8mm x 40mm Hex Bolts
2	Plastic Plugs for license plate mount	4	8mm x 28mm x 3mm Flat Washers
4	Sensor Hole Plugs	4	8mm Lock Washers
8	12-1.75mm x 50mm Hex Bolts	8	4mm x 10mm Button Head Bolts
16	12mm x 37mm x 3mm Flat Washers	1	4mm Wrench



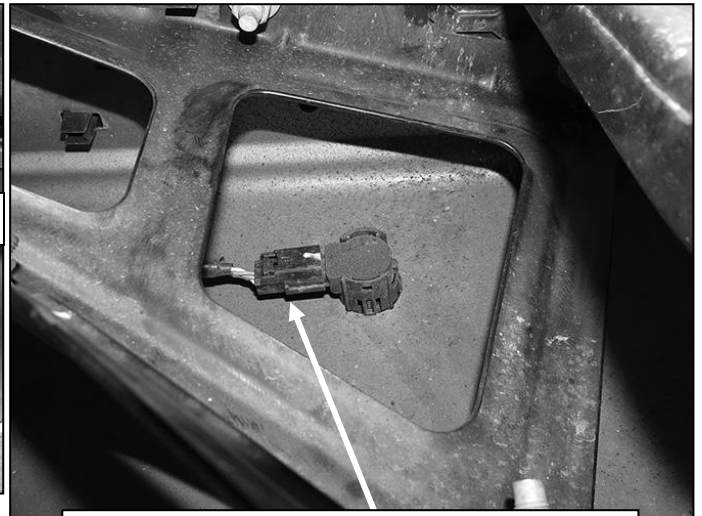
**PROCEDURE:**

**REMOVE CONTENTS FROM BOX. VERIFY ALL PARTS ARE PRESENT. READ INSTRUCTIONS CAREFULLY BEFORE STARTING INSTALLATION. BUMPER IS HEAVY, ASSISTANCE IS HIGHLY RECOMMENDED TO AVOID POSSIBLE INJURY OR DAMAGE TO THE VEHICLE.**

1. Start installation by unplugging the license plate lights, towing harness plug and sensors if equipped, **(Figure 1)**. Remove the license plate. Remove the outer towing harness plug, **(Figure 2)**. On models with back up sensors, remove the sensors from the plastic sleeves, **(Figure 3)**. Move the wiring harness away from the bumper.



**(Fig 1) Unplug harness from back of trailer connector then remove outer plug**

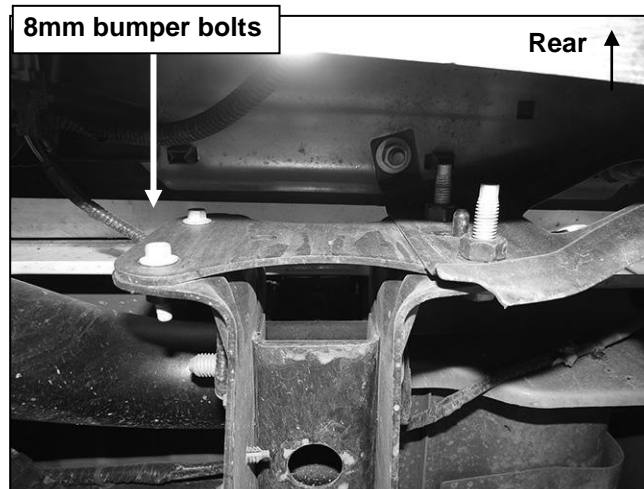


**(Fig 2) Unplug the sensor first then remove the sensor from the mounting sleeve**



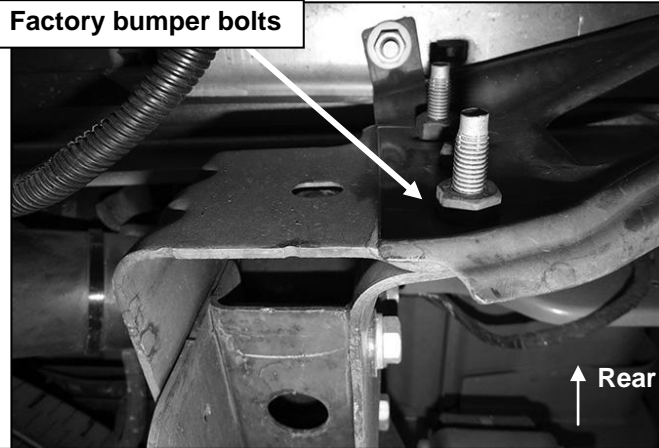
**(Fig 3) Remove the mounting sleeve (right) from each sensor location in bumper**

2. Place blocks or jack stands under the bumper to support it during bumper bolt removal. Once the bumper has been safely supported, remove the bumper bolts and slide the rear bumper off of the end of the frame, **(Figures 4—6)**. **WARNING!** Assistance is required to hold the bumper in place during hardware removal and to prevent the bumper from falling.

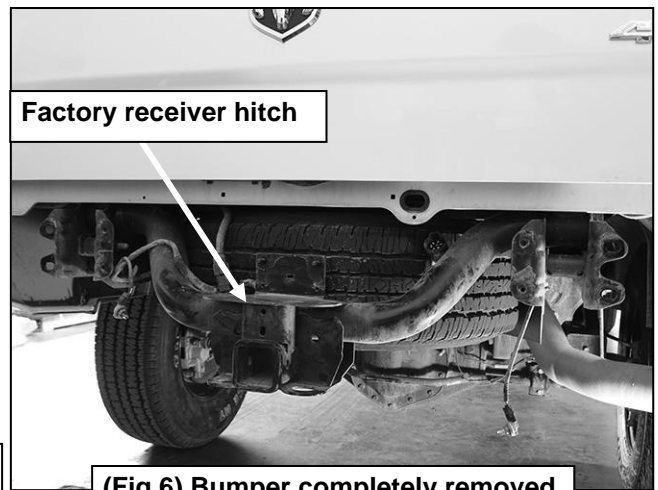


**(Fig 4) Example of factory bumper bracket with 8mm hex nuts (left) welded onto back of bracket**

**WARNING!** Do not remove bumper bolts unless the bumper is properly supported on blocks or stands or the bumper may fall.



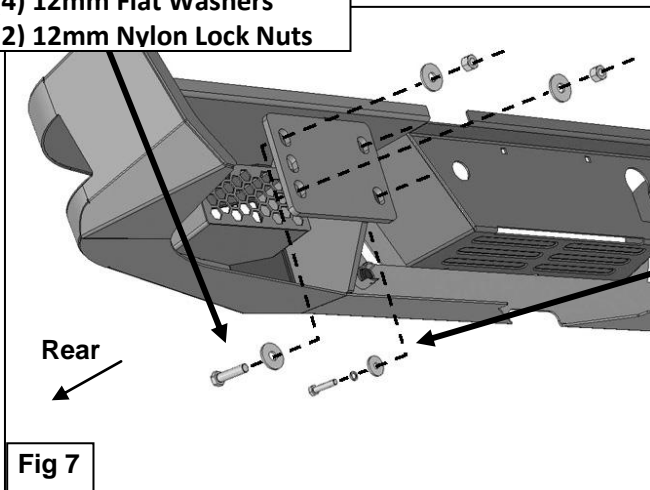
**(Fig 5) Example of factory bumper bracket with (2) hex bolts only (right) pictured from below bumper**



**(Fig 6) Bumper completely removed**

- With assistance, position the Bumper Assembly up and over the bumper brackets on the ends of the frame, **(Figures 6 & 7)**. Temporarily support the weight of the Bumper Assembly. **WARNING:** To avoid possible injury or damage to the vehicle, do not proceed until the Bumper is fully and safely supported.

- (2) 12mm Hex Bolts**
- (4) 12mm Flat Washers**
- (2) 12mm Nylon Lock Nuts**

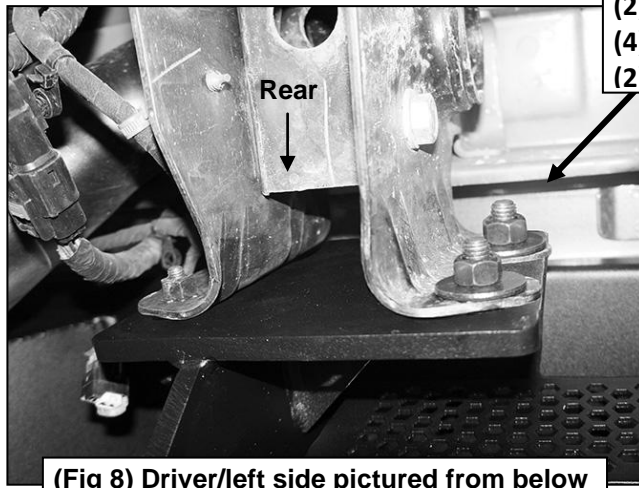


**Fig 7**

- On inner side of bracket, use:**
- (2) 12mm Hex Bolts**
  - (4) 12mm Flat Washers**
  - (2) 12mm Nylon Lock Nuts**
  - or**
  - (2) 8mm Hex Bolts**
  - (2) 8mm Lock Washers**

**WARNING!** Do not crawl under bumper unless the bumper is properly supported on blocks or stands or the bumper may fall.

- Line up the (2) outer holes in the passenger side frame mounting bracket with the (2) holes in the Mounting Plate. Attach the Bumper to the frame bracket with (2) 12mm Hex Bolts, (4) 12mm Flat Washers and (2) 12mm Nylon Lock Nuts, **(Figures 7 & 8)**. Leave hardware loose at this time. Repeat to attach the driver side of the Bumper to the frame bracket.

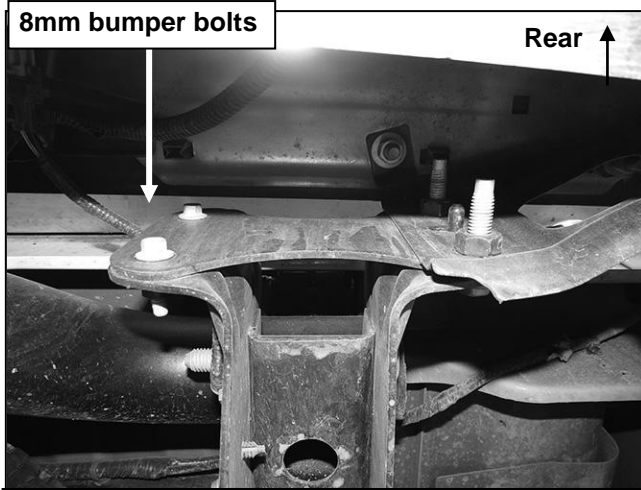


**(Fig 8) Driver/left side pictured from below**

- (2) 12mm Hex Bolts**
- (4) 12mm Flat Washers**
- (2) 12mm Nylon Lock Nuts**

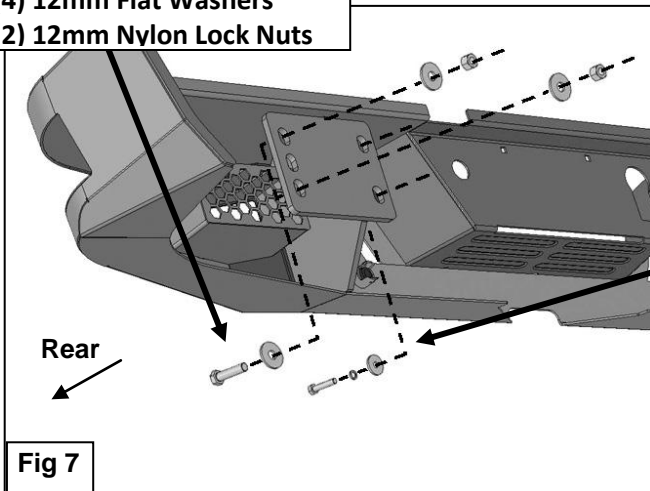
- Next, line up the (2) inner holes on the passenger side frame bracket to the mounting plate on the Bumper. Select the correct installation.  
**Models with 8mm hex nuts welded onto the back of the frame bracket:**

- a. Use (2) 8mm Hex Bolts, (2) 8mm Lock Washers and (2) 8mm Flat Washers to attach the passenger side of the Bumper to the frame bracket, **(Figures 4 & 7)**. Repeat this Step to attach the driver side of the Bumper to the frame bracket. Do not fully tighten hardware.



**(Fig 4) Example of factory bumper bracket with 8mm hex nuts (left) welded onto back of bracket**

- (2) 12mm Hex Bolts  
(4) 12mm Flat Washers  
(2) 12mm Nylon Lock Nuts

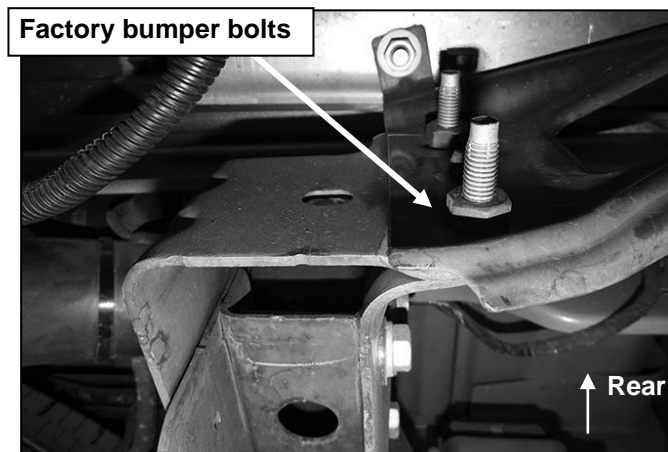


- On inner side of bracket, use:  
(2) 12mm Hex Bolts  
(4) 12mm Flat Washers  
(2) 12mm Nylon Lock Nuts  
or  
(2) 8mm Hex Bolts  
(2) 8mm Lock Washers

**Fig 7**

**Models without 8mm welded hex nuts (open holes):**

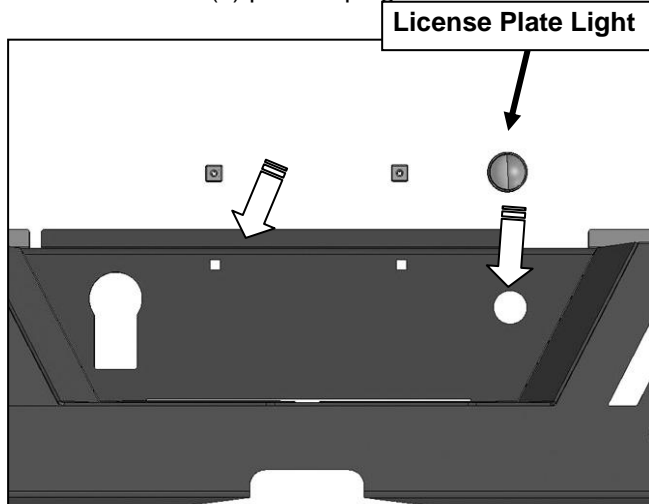
- b. Use (2) 12mm Hex Bolts, (4) 12mm Flat Washers and (2) 12mm Nylon Lock Nuts to attach the passenger side of the Bumper to the frame bracket. Repeat this Step to attach the driver side of the Bumper to the frame bracket. Leave hardware loose.
- c. **NOTE:** On some models/years, the frame bracket may only be equipped with outer mounting holes. Adjust installation accordingly, **(Figure 5)**.



**(Fig 5) Example of factory bumper bracket with (2) hex bolts only (right) pictured from below bumper**

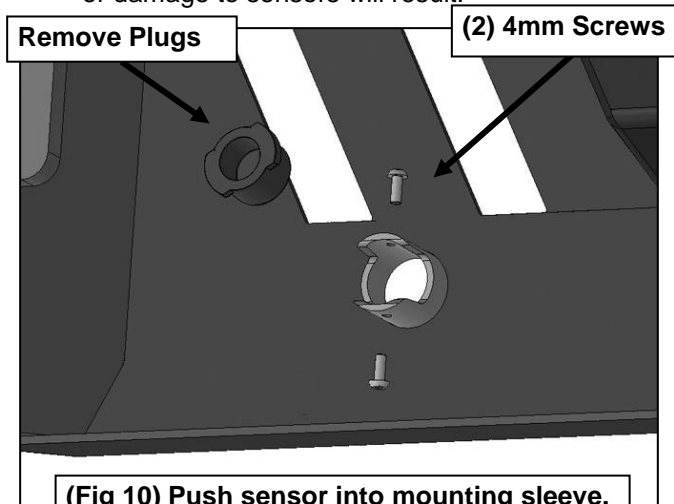
6. Level and adjust the HD Bumper and fully tighten all hardware.

7. Snap the plug for the trailer harness into the opening in the HD Bumper. If necessary, use a flat blade screwdriver to carefully pry the metal clips out to grab the edge of the openings in the Bumper. Reattach the wiring harness to the back of the plugs.
8. Select the included (2) push-in plugs to attach the license plate to the Bumper, (**Figure 9**).



(Fig 9) Push plastic plugs into holes for license plate

9. Select the included snap in Universal License Plate Light. Insert the Light into the mounting hole in the bumper, (**Figure 9**). Connect the wire harness to the License Plate Light. Tie down all wiring harnesses and seal off any open wiring connection.
10. Remove screens in light housings for more room around lights as needed, (**Figure 9**).
11. **Models with bumper mounted sensors:**
  - a. Remove the rubber plugs from the sockets in the bumper assembly. Push the sensor in from the back of the bumper. Secure each sensor to the socket with (2) 4mm x 10mm Button Head Screws, (**Figure 10**). **IMPORTANT:** Sensors fit snug in sockets. The 4mm Screws are used to apply slight pressure to lock the sensors in place. Tighten both screws evenly until they touch the sensor body only. Do not overtighten screws or damage to sensors will result.



(Fig 10) Push sensor into mounting sleeve.  
Use 4mm Screws to lock sensor in place.

12. Use the included Wire Ties to secure the wiring harness to the bumper and frame.
13. Do periodic inspections to the installation to make sure that all hardware is secure and tight.



**PRODUCT CARE**

- Periodically check the product to ensure all fasteners are tight and components are intact.
- Regular waxing is recommended to protect the finish of the product.
- **Use ONLY Non-Abrasive automotive wax.** Use of any soap, polish or wax that contains an abrasive is detrimental and can scratch the finish leading to corrosion.
- Aluminum polish may be used to polish small scratches and scuffs for **Stainless Steel finish.**
- Mild soap may be used to clean the product for both **Stainless Steel and Black finish.**

**FAQ's****1. Hardware's are not of correct size.**

*In GMC / Chevrolet truck model 2006 & up, customer needs to reuse the factory body bolts to install the bracket. If your vehicle is not GMC / Chevrolet 2006 & up, ensure that holes are not partially covered with any plastic grommet or rust? If it is, remove the plastic grommet & rust from the thread holes & re-try the installation.*

**2. Mounting Bracket are not getting Installed properly.**

*In some cases Illustration images shown in Installation manual may not be the exactly same as per actual vehicle images ,also if Driver / Passenger side mounting brackets are very identical in the design, suggest referring Parts Identification guide to avoid fitment issue.*

**3. Products are thumping / rattling after installation.**

*Ensure that all required mounting brackets / hardware's are installed & tighten correctly. Suggest using white lithium / regular grease between the metal to metal contact surfaces.*

**4. Side Bar is not aligning with vehicle / Step Pads are not aligning with vehicle doors.**

*Side bar may be interchanged or mounting brackets are not installed at the correct position in the vehicle. Refer Parts identification guide.*

**5. Missing / Excess Hardware.**

*Recheck hardware count as per the part list.*

**6. Product not installing properly.**

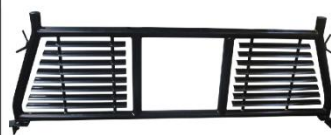
*Ensure make model year, cab length and bed size of your vehicle is listed in the application. All installation steps are followed correctly.*

Check out these other TrailFX Products!!

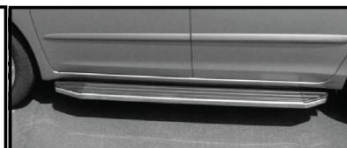
www.TrailFX.com



**SIDE BAR**



**HEADACHE RACKS**



**RUNNING BOARDS**



**ROCKER GUARDS**

Keystone Automotive Operations Inc. (KAO) warrants this product to be free of defects in material and workmanship at the time of purchase by the original retail consumer. KAO disclaims any other warranties, express or implied, including the warranty of fitness for a particular purpose or an intended use. If the product is found to be defective, KAO may replace or repair the product at our option, when the product is returned prepaid, with proof of purchase. Alteration to, improper installation, or misuse of this product voids the warranty. KAO's liability is limited to repair or replacement of products found to be defective, and specifically excludes liability for any incidental or consequential loss or damage.