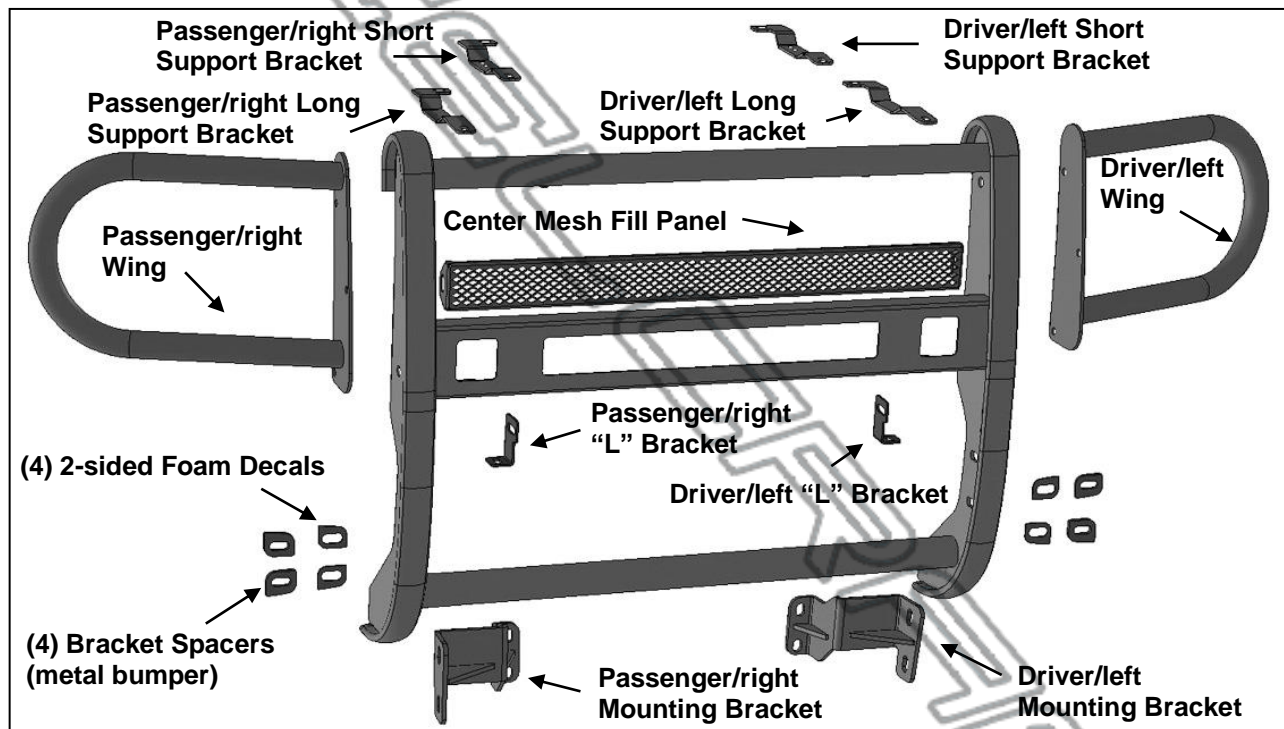


PARTS LIST:

1	Grill Guard Main Body	4	12-1.75mm x 35mm Hex Bolts
1	Driver/Left Side Wing Tube	8	12mm x 32mm x 3 mm Flat Washers
1	Passenger/Right Side Wing Tube	4	12-1.75mm Nylon Lock Nuts
1	Mesh Center Fill Panel	6	8-1.25mm x 30mm Button Head Bolts
1	Driver/Left Side Mounting Bracket	2	8-1.25mm x 25mm Button Head Bolts
1	Passenger/Right Side Mounting Bracket	4	8-1.25mm x 20mm Hex Bolts
4	Bracket Spacers (metal bumper)	2	8-1.25mm x 16mm Hex Bolts
4	Double Sided Adhesive Foam (for spaces)	22	8mm x 24mm x 2mm Flat Washers
1	Driver/left Support Bracket (metal bumper)	2	8mm x 16mm x 1.6mm Flat Washers
1	Passenger/Right Support Bracket (metal bumper)	8	8mm Lock Washers
1	Driver/left Support Bracket (plastic bumper)	4	8mm Hex Nuts
1	Passenger/Right Support Bracket (plastic bumper)	6	8mm Nylon Lock Nuts
1	Driver/left LED "L" Bracket	2	6-1.0mm x 20mm Combo Bolts
1	Passenger/Right LED "L" Bracket	2	6mm Flange Nuts
		1	5mm Wrench



PROCEDURE:

REMOVE CONTENTS FROM BOX AND VERIFY ALL PARTS ARE PRESENT. READ INSTRUCTIONS CAREFULLY. ASSISTANCE IS RECOMMENDED. INSTALLATION WILL INTERFERE WITH FRONT BUMPER MOUNTED SENSORS. SENSOR RELOCATION KIT REQUIRED FOR PARKING SENSOR OPERATION-NOT INCLUDED. CUTTING IS REQUIRED.

1. Determine if the vehicle is equipped with a plastic bumper cover or steel "option" bumper.

Models with plastic bumper cover:

- a. Remove the plastic covers from the front of the bumper, **(Figures 1 & 2)**. **NOTE:** Unplug sensors, if equipped, to remove covers.
- b. From the front, remove the (2) inner factory hex bolts attaching the driver/left side of the bumper assembly to the end of the frame, **(Figure 3)**.
- c. Select the driver/left Frame Mounting Bracket, **(Figure 3)**. Reuse the (2) OE hex bolts to attach the Frame Bracket to the bumper, **(Figure 4)**. **NOTE:** Only remove the inner bolts, do not remove the outer bolts.

- d. Select the driver/left plastic cover. Measure 4-1/4" in from the inner end of the cover, **(Figure 5)**. Use masking tape or a marker to draw a vertical line on the inside of the cover. Cut the cover along line. Check fit of cover to bumper and bracket and trim cover, if necessary, **(Figure 6)**. **Do not reinstall cover at this time.**
 - e. Repeat the previous **Steps** to attach the passenger/right Frame Bracket and to cut the cover.
- Models with optional steel bumper:**
- a. Remove the hoop from the top of the bumper if equipped, **(Figure 7)**.
 - b. Remove the covers surrounding the tow hooks, **(Figure 7)**.
 - c. From the front, remove the (2) inner factory hex bolts attaching the driver/left tow hook to the bumper, **(Figure 8)**. **NOTE:** Only remove the inner bolts, do not loosen or remove the outer bolts.
 - d. Select (2) Steel Spacers and (2) double sided Foam Decals. Use the double sided Foam Decals to "stick" the Spacers to the inner pockets in the tow hook, **(Figure 9)**.
 - e. Select the driver/left Frame Mounting Bracket. Reuse the (2) OE hex bolts to attach the driver/left Frame Bracket to the Spacers and the bumper, **(Figure 10)**.
 - f. Select the driver/left plastic cover. Hold cover in position over Bracket. Check fit of cover to bracket and trim cover as necessary, **(Figures 11 & 12)**. **Do not reinstall cover at this time.**
 - g. Repeat the previous **Steps** to attach the passenger/right Frame Bracket and to cut the cover.
2. Open the front hood. Remove the plastic cover from the top of the grille and radiator, **(Figure 13)**.
 3. Locate the large and small hole in the driver/left side of the radiator core support, **(Figure 14)**. Select the correct driver/left Top Support Bracket, **(Figure 15)**.
 - a. Models with plastic bumpers: Use the shorter Top Support Brackets with holes for identification.
 - b. Models with steel option bumper: Use the longer Top Support Brackets (no ID holes).
 4. Insert the Bracket through the opening in the grille, **(Figure 25)**. On models without opening, it will be necessary to cut an opening in the grille for the Support Bracket. Line up the end of the Bracket with the smaller mounting hole. Attach the Bracket to the hole in the core support with (1) 6mm Button Head Combo Bolt and (1) 6mm Flange Nut, **(Figures 16 & 17)**. Leave hardware loose.
 5. Repeat **Steps 3 & 4** to attach the passenger/right Top Support Bracket, **(Figure 18)**.
 6. Carefully unwrap the Grille Guard Center Section and outer Wings. Attach the driver/left Wing to the outside of the Grille Guard with the included (3) 8mm x 30mm Button Head Bolts, (6) 8mm x 24mm STD Flat Washers and (3) 8mm Nylon Lock Nuts, **(Figure 19)**. Repeat this **Step** to attach the passenger/right outer Wing.
 7. Determine if Center Mesh Fill Panel, LED bar or cube style accessory lights will be installed. **NOTE:** Lights not included.

Center Mesh Fill Panel installation, (Do not install LED bar style light with Fill Panel):

 - a. Select the driver/left "L" Bracket. Attach the "L" Bracket to the slot in the back of the Center Section with the included (1) 8mm x 20mm Hex Bolt, (2) 8mm x 24mm STD Flat Washers, (1) 8mm Lock Washer and (1) 8mm Hex Nut. Fill Panel, **(Figure 20)**. Repeat this **Step** to attach the passenger/right "L" Bracket.
 - b. Attach the Center Fill Panel to the "L" Brackets with the included (2) 8mm x 20mm Hex Bolts, (4) 8mm x 24mm STD Flat Washers, (2) 8mm Lock Washers and (2) 8mm Hex Nuts, **(Figure 20)**. Push Fill Panel up tight against Center Section and tighten hardware.

Center LED Bar Style Light (Light not included. Do not install Mesh Fill Panel).

 - a. Select the driver/left "L" Bracket. Attach the "L" Bracket to the slot in the back of the Center Section with the included (1) 8mm x 20mm Hex Bolt, (2) 8mm x 24mm STD Flat Washers, (1) 8mm Lock Washer and (1) 8mm Hex Nut, **(Figure 21)**. Repeat this **Step** to attach the passenger/right "L" Bracket.
 - b. Attach the LED Bar Style Light to the "L" Brackets with the included (2) 8mm x 16mm Hex Bolts, (2) 8mm Lock Washers and (2) 8mm x 24mm STD Flat Washers, **(Figure 21)**. Adjust Light and fully tighten hardware.

Light installation (Do not install Mesh Fill Panel):

 - a. Attach lights to holes in tabs behind square openings in Bumper, **(Figure 21)**.
 8. With assistance, hold the Grille Guard assembly up to the outside of the Frame Brackets. Attach the driver/left end of the Grille Guard to the Frame Bracket with the included (2) 12mm x 35mm Hex Bolts, (4)

**MODULAR GRILLE GUARD
2021-22 FORD BRONCO**

- 12mm Flat Washers and (2) 12mm Nylon Lock Nuts, (**Figures 22 & 23**). Repeat this **Step** to attach the passenger/right side of the Grille Guard. Do not fully tighten hardware at this time.
9. Center the Grille Guard to the vehicle and fully tighten all Mounting Bracket and Support Bracket to vehicle hardware only at this time. Temporarily remove the Grille Guard.
 10. Reinstall the plastic bumper covers removed and cut in **Step 1**. Reattach the plastic cover to the top of the grille and radiator removed in **Step 2**.
 11. Reinstall the Grille Guard as described in **Step 8**. Attach the Top Support Brackets to the bottom of the top tube on the Grille Guard with the included (2) 8mm x 25mm Button Head Bolts, (2) 8mm Lock Washers and (2) 8mm x 16mm Small Flat Washers, (**Figures 24 & 25**). Adjust the Grille Guard and fully tighten all hardware at this time.
 12. Do periodic inspections to the installation to make sure that all hardware is secure and tight.

To protect your investment, do not use any type of polish or wax that may contain abrasives that could damage the finish. Mild soap may be used to clean the Grille Guard.

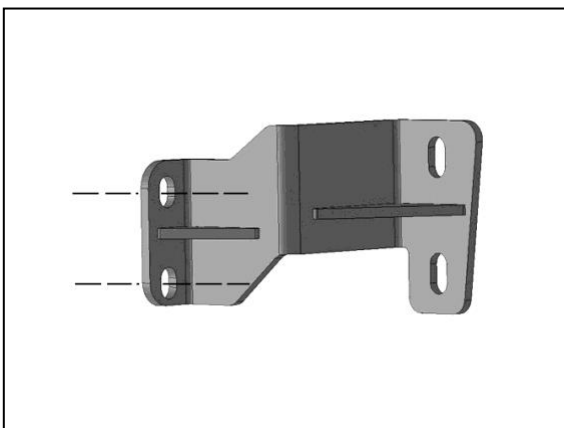
Driver/left Side Installation Pictured



(Fig 1) Example of OE plastic bumper



(Fig 2) Models with plastic bumper cover (see Fig 1), remove bumper pads from bumper (driver/left side pictured). Note, unplug parking sensors if equipped

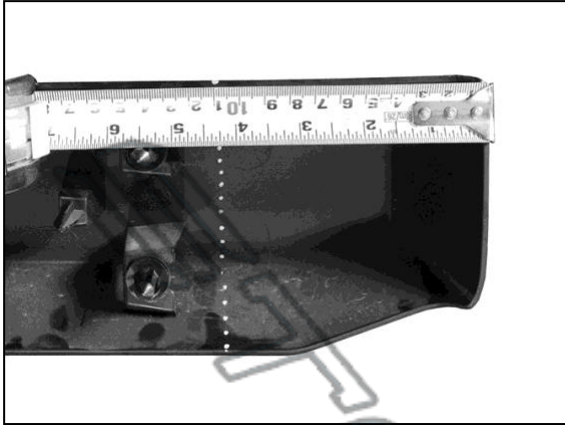


(Fig 3) Models with plastic bumper cover (see Fig 1), reuse the (2) OEM hex bolts to attach the driver/left Mounting Bracket to the front of the bumper (arrow)



(Fig 4) Models with plastic bumper cover (see Fig 1), reuse the (2) OEM hex bolts to attach the driver/left Mounting Bracket to the front of the bumper (arrow)

Driver/left Side Installation Pictured



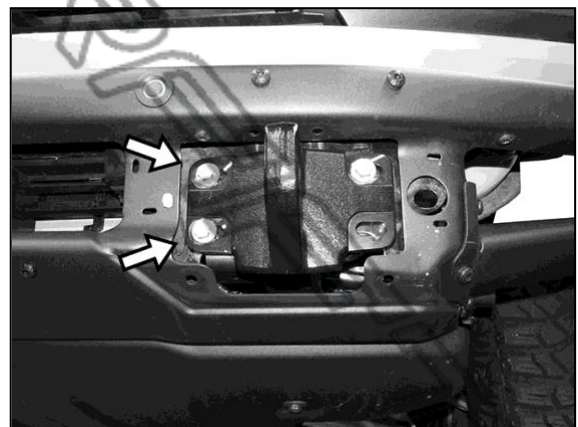
(Fig 5) Models with plastic bumper cover (see Fig 1), measure 4-1/4" from inner end. Draw straight vertical line. Cut the inner end off of the plastic bumper cover



(Fig 6) Models with plastic bumper cover (see Fig 1), check for clearance between plastic cover and Mounting Bracket.

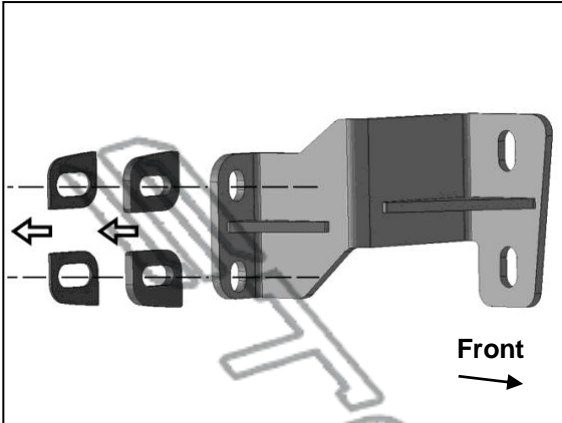


(Fig 7) Models with steel bumper, remove cover surrounding D-Ring mount (arrow)



(Fig 8) Model with steel bumper, remove (2) inner hex bolts (arrows)

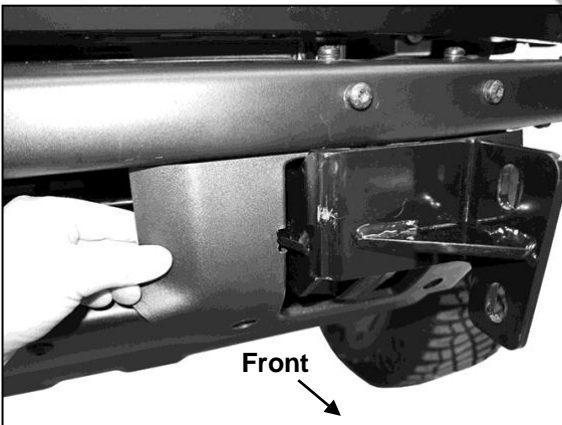
Driver/left Side Installation Pictured



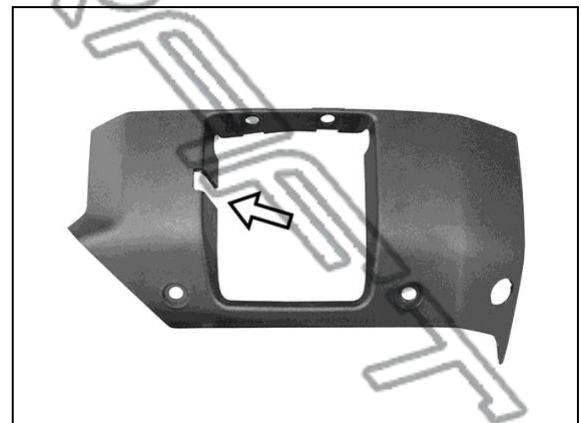
(Fig 9) Model with steel bumper, apply the 2-sided Foam Decals to the (2) Spacers. Stick the Spacers to the front of the pocket in the D-ring. Foam Decals are included to simplify Spacer and Bracket installation, use is not mandatory



(Fig 10) Model with steel bumper, driver/left side Mounting Bracket installed

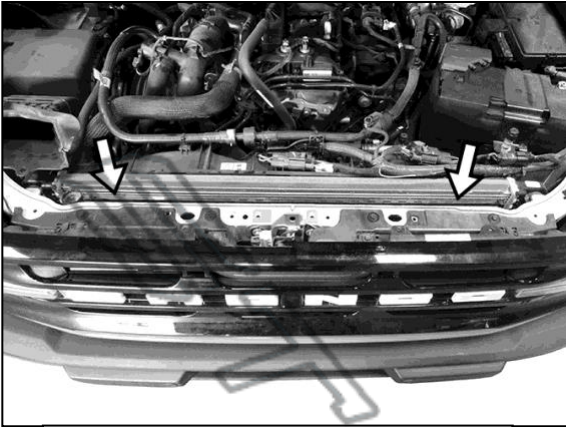


(Fig 11) Model with steel bumper, hold plastic cover up to check clearance. Mark cover to trim for clearance

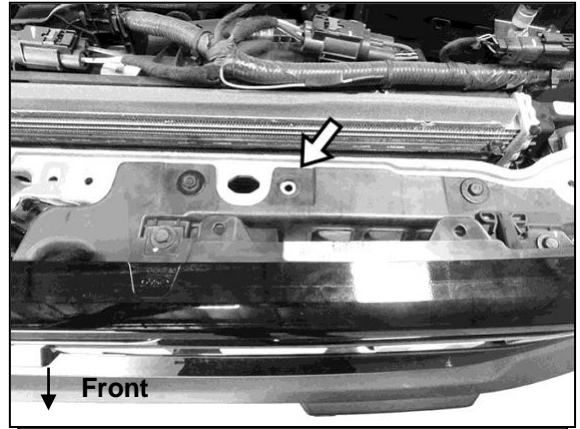


(Fig 12) Model with steel bumper, trim cover for clearance around D-ring mount

Driver/left Side Installation Pictured



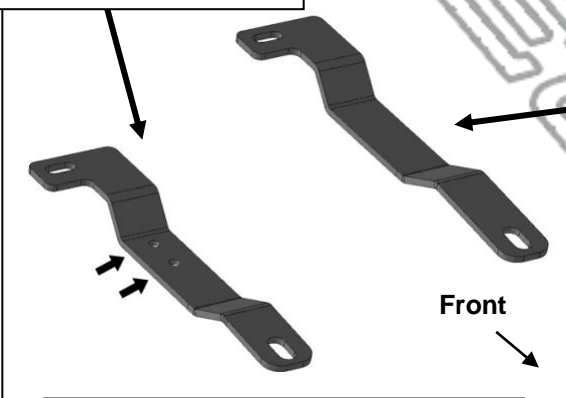
(Fig 13) Remove plastic cover from top of grille and radiator (arrows)



(Fig 14) Driver/left side mounting location for Top Support Bracket pictured (arrow)

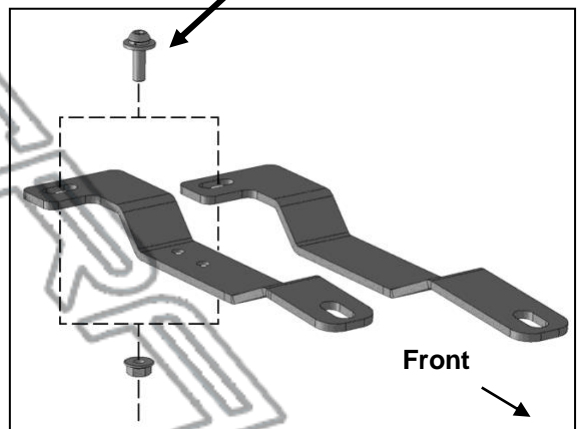
Models with Plastic Bumper (shorter Brackets with ID holes)

Models with Steel Bumper (longer)

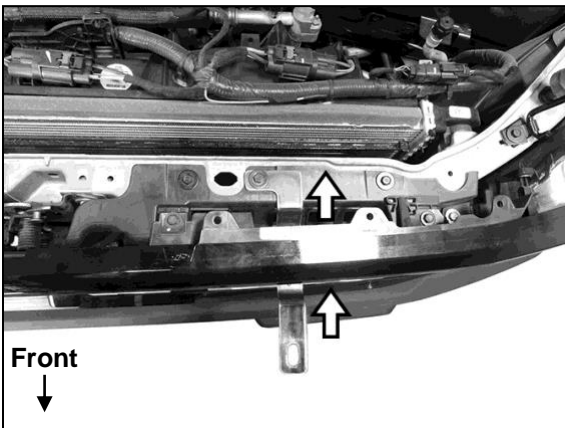


(Fig 15) Separate and identify the left and right Top Support Brackets

6mm Button Head Combo Bolt
6mm Flange Nut

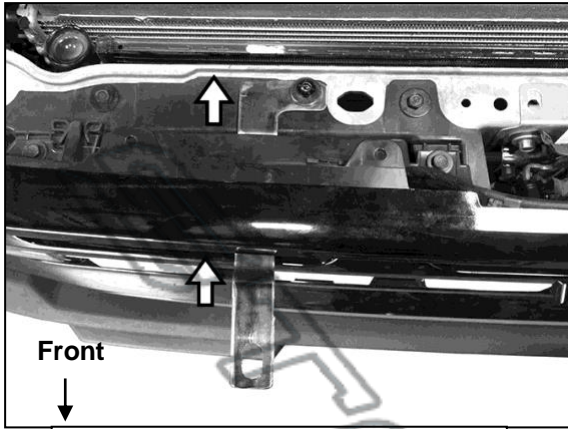


(Fig 16) Slide Top Support Bracket through opening in grille. Attach Bracket to hole in top of radiator core support (driver/left side Brackets illustrated)



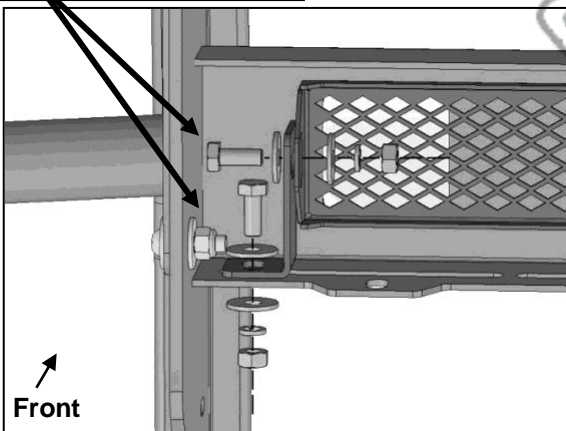
(Fig 17) Driver/left side Top Support Bracket installed

Driver/left Side Installation Pictured



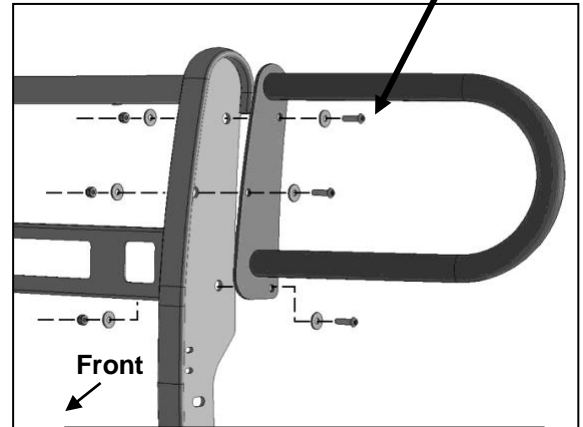
(Fig 18) Passenger/right side Top Support Bracket installed

**8mm x 20mm Hex Bolt
(2) 8mm Flat Washers
8mm Lock Washer
8mm Hex Nut**



(Fig 20) Attach "L" Bracket to slot in back of Grille Guard. Attach Mesh Fill Panel to "L" Brackets (installation optional)

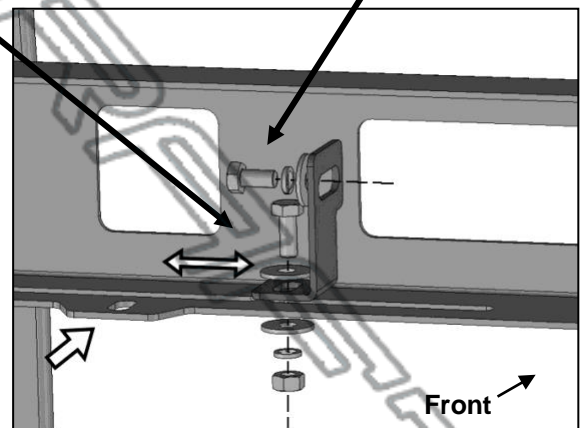
**(3) 8mm x 30mm Button Head Bolts
(6) 8mm Flat Washers
(3) 8mm Nylon Lock Nuts**



(Fig 19) Attach Wings to the outside of the Center Grille Guard

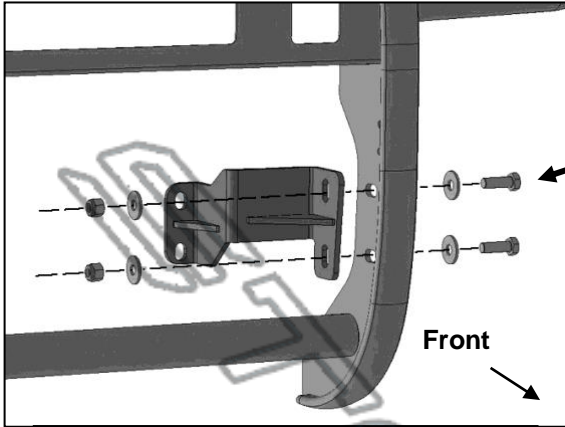
**8mm x 20mm Hex Bolt
(2) 8mm Flat Washers
8mm Lock Washer
8mm Hex Nut**

**8mm x 16mm Hex Bolt
8mm Lock Washer
8mm Flat Washer**

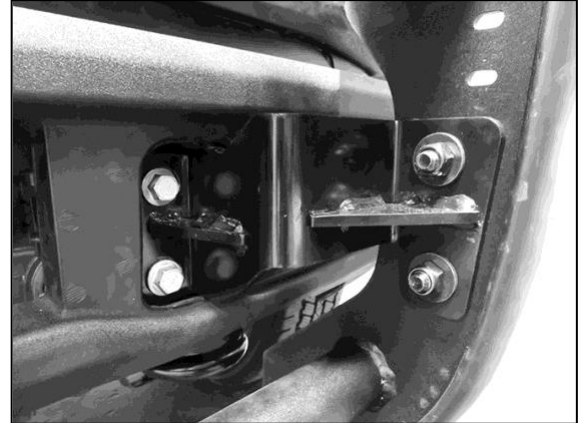


(Fig 21) Attach "L" Bracket to slot in back of Grille Guard. Attach LED bar style light to "L" Brackets or LED cube style lights to tab (arrow-lights not included. Light installation optional)

Driver/left Side Installation Pictured

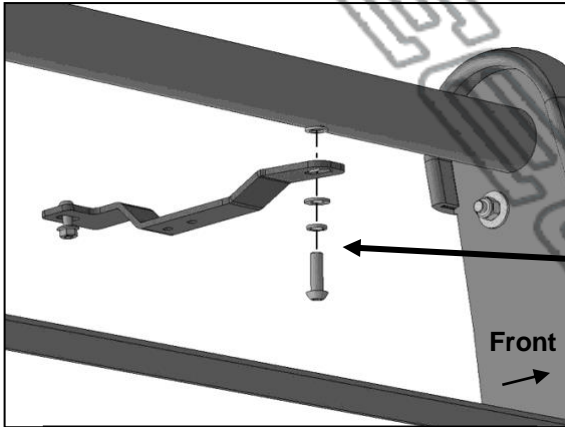


- (2) 12mm x 35mm Hex Bolts
- (4) 12mm Flat Washers
- (2) 12mm Nylon Lock Nuts



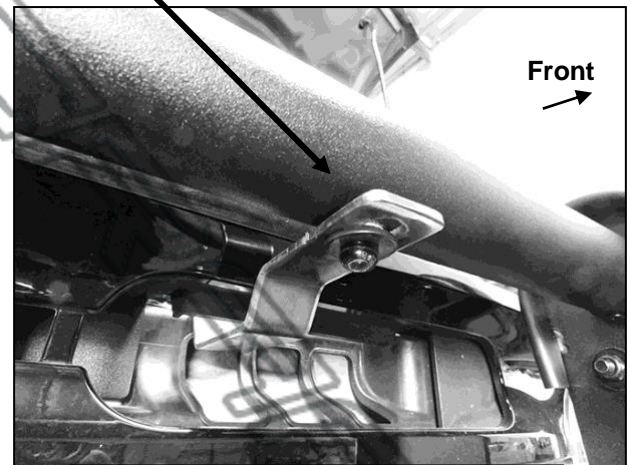
(Fig 22) Attach Grille Guard assembly to outside of Mounting Brackets

(Fig 23) Grille Guard assembly attached to outside of driver/left Mounting Bracket



- 8mm x 25mm Button Head Bolt
- 8mm Lock Washers
- 8mm x 16mm Small Flat Washer

(Fig 24) Attach Top Support Brackets to bottom of Grille Guard top tube



(Fig 25) Attach Top Support Brackets to bottom of Grille Guard top tube

