



**Assembly, Installation, Operation and
Maintenance Instructions
Full Replacement Front Bumper**

**Part Number:
FX3025**

240 minutes

Dealer / Installer: Provide a copy of these instructions to the end user of this product. These instructions provide important operating and safety information for proper usage of this product. Demonstrate the proper use of the product with the end user. Have the end user demonstrate that they understand the proper use of the product.

End User: Read and follow all instructions included in this manual. Ask your Dealer / Installer for assistance if you do not understand the proper use of the product. Never remove any decals from the product. Failure to follow these instructions can result in injury or death.



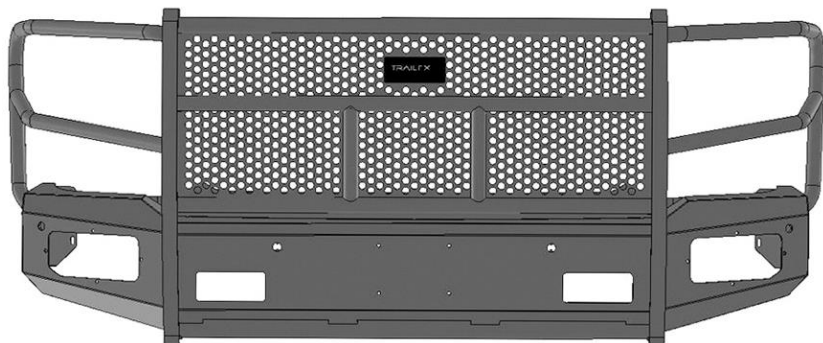
APPLICATION: 2019 – RAM 1500 (Excludes Classic Models)

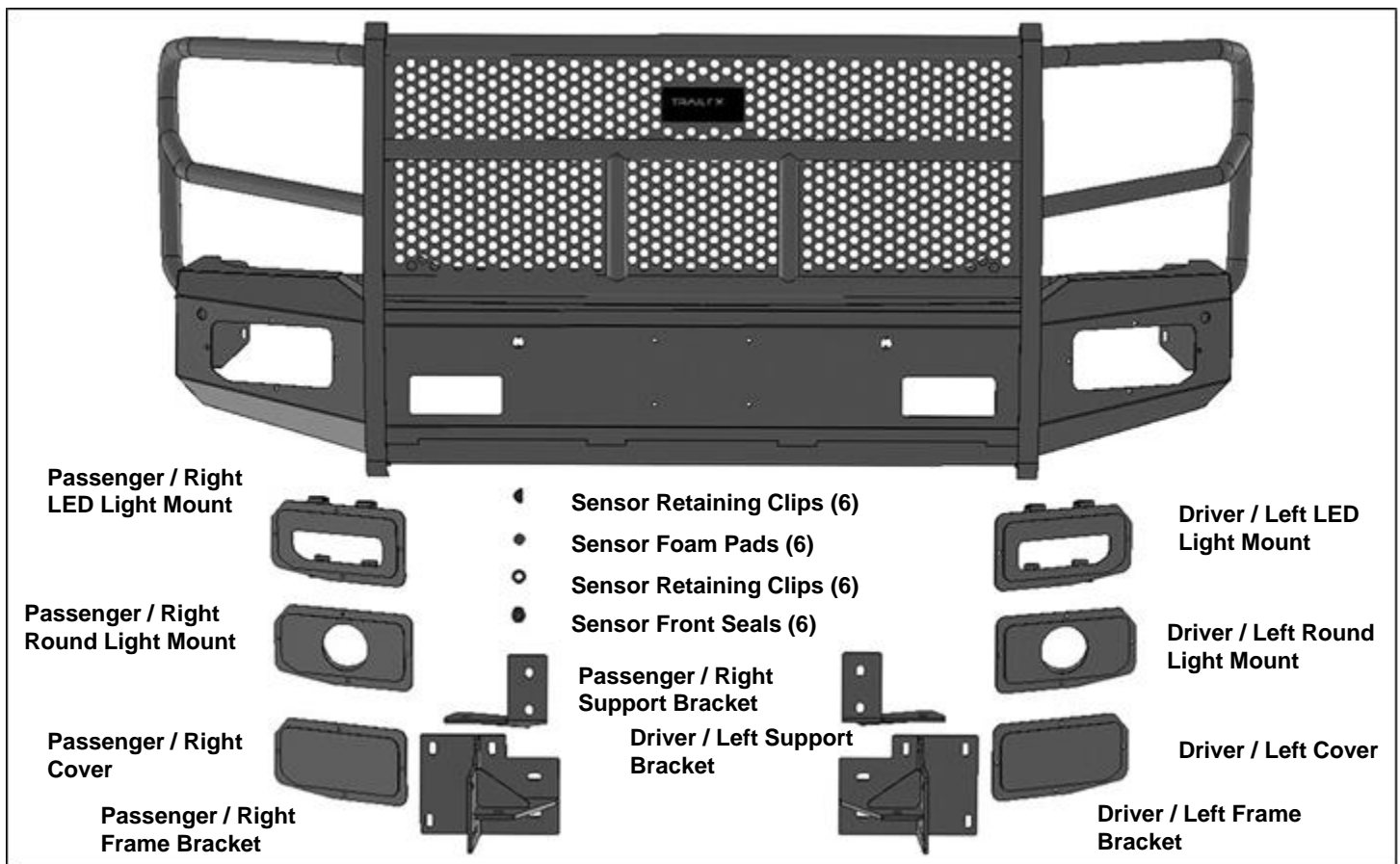
PARTS LIST:

Qty	Part Description	Qty	Part Description
1	Front Bumper	4	14mm Nylon Lock Nuts
1	Driver/Left Frame Mounting Bracket	16	12-1.75mm x 45mm Hex Bolts
1	Passenger/Right Frame Mounting Bracket	32	12mm x 32mm x 3mm Flat Washers
1	Driver/Left Support Bracket	16	12-1.75mm Nylon Lock Nuts
1	Passenger/Right Support Bracket	8	6-1.0mm x 20mm Combo Button Head Bolts
1	Driver/Left Light Block Off	8	6-1.0mm x 20mm Hex Bolts
1	Passenger/Right Light Block Off	16	6mm x 18mm x 1.6mm Flat Washers
1	Driver/Left Round Light Mount	8	6mm Nylon Lock Nuts
1	Passenger/Right Round Light Mount	4	5mm x 20mm Philips Screws
1	Driver/Left Light LED Light Mount	8	5mm x 15mm x 1.2mm Flat Washers
1	Passenger/Right LED Light Mount	4	5mm Lock Washers
6	Sensor Retaining Clips	4	5mm Hex Nuts
6	Foam Spacer Washers	8	4-0.75mm x 15mm Button Head Allen Bolts
6	15.5mm x 25mm x 2mm Sensor Seals	12	4-0.75mm x 10mm Button Head Allen Bolt
6	Rubber Sensor Hole Plugs	16	4mm x 12mm x 1.0mm Flat Washers
1	Sensor Cover Kit	8	4mm Nylon Lock Nuts
6	14-2mm x 50mm Hex Bolts	1	2.5mm Wrench
10	14mm x 44mm x 3mm Flat Washers	1	4mm Wrench
2	14mm Lock Washers		

Torque Specs

14mm	112 ft/lbs
12mm	70 ft/lbs
6mm	102 in/lbs
5mm	54 in/lbs
4mm	27 in/lbs
Factory	See Mfg.





INSTALLATION PROCEDURE:

REMOVE CONTENTS FROM BOX. VERIFY ALL PARTS ARE PRESENT. READ INSTRUCTIONS CAREFULLY BEFORE STARTING INSTALLATION. ASSISTANCE IS RECOMMENDED TO AVOID POSSIBLE INJURY OR DAMAGE TO THE VEHICLE.

1. Remove the license plate and bracket.
2. On the driver/left side of the bumper, remove the (2) factory bolts attaching the side of the bumper cover to the side of the frame, **(Figure 1)**. Repeat this **Step** for the passenger/right side.
3. Models with automatic air dam behind bumper, unplug and remove air dam from bottom of frame, **(Figure 2)**.
4. Locate and unplug the main wire harness on the driver/left side of the bumper, **(Figure 3)**.
5. Place blocks or jack stands under the bumper to support it during mounting bolt removal. Once the bumper has been safely supported, remove the (3) factory flange nuts attaching each bumper bracket to the end of the frame, **(Figures 3 & 4)**. **WARNING!** Assistance is required to hold bumper in place during hardware removal to prevent the bumper from falling. Slide the bumper assembly off of the end of the frame and place bumper on stable clean flat surface.
6. Models with tow hooks, **loosen the rear bolt** and remove the forward bolt to remove tow hooks from bottom of frame, **(Figure 5)**. **IMPORTANT:** Remove the forward bolt but **only loosen the rear bolt** to slide off the tow hook. Rear mounting bolt is also the body mount bolt.

INSTALLATION PROCEDURE CONTINUED:

7. Select the driver/left Bumper Support Bracket, **(Figure 6)**. Slide the end of the Bracket with the slot between the head of the loose body bolt and the tube welded to the frame. Use the included 14mm x 50mm Hex Bolt, 14mm Lock Washer and 14mm Flat Washer to attach the front of the Bracket to the bottom of the frame, **(Figure 7)**. Do not fully tighten hardware at this time.
8. Select the driver/left Frame Mounting Bracket, **(Figure 8)**. Attach the Bracket to the end of the frame and the Support Bracket with the included (5) 12mm x 45mm Hex Bolts, (10) 12mm Flat Washers and (5) 12mm Nylon Lock Nuts, **(Figure 9)**. Snug but do not fully tighten hardware at this time.
9. Models with tow hooks, attach the tow hook to the inside of the Frame Bracket with the included (2) 14mm x 50mm Hex Bolts, (4) 14mm Flat Washers and (2) 14mm Nylon Lock Nuts, **(Figure 10)**. Fully tighten tow hook hardware only.
10. Repeat **Steps 6—9** to install the passenger/right Frame Bracket, Support Bracket and to relocate tow hook.
11. Carefully remove both fog light assemblies, all sensors and the wiring harness from the back of the OE bumper, **(Figure 11)**. Note location of each sensor for correct reinstallation.

Models without bumper sensors:

- a. Insert (1) Rubber Plug into the back of the Sensor Mount, **(Figure 12)**.
- b. Use the included (2) 4mm x 10mm Screws to lock Plug in place, use is optional.
- c. Repeat to plug remaining (5) mounting holes in Bumper. Continue to **Step 12**.

Models with bumper mounted sensors:

- a. Select the driver/left outer sensor. Remove the seal from the end of the sensor, **(Figure 13)**. Replace the seal with the included larger Foam Seal.
 - b. Push the sensor into the Mount from the back of the Bumper, **(Figure 14)**.
 - c. Push (1) Foam Spacer onto the back end of the sensor, **(Figure 14)**.
 - d. Snap (1) Sensor Retaining Clip onto the Sensor Mount, **(Figure 14)**.
 - e. Repeat the previous **Steps** to install the remaining sensors in order from factory bumper.
 - f. Install the factory bumper wiring harness for sensors and fog lights as equipped. Run wiring harness over or through Brackets to reach sensors, **(Figure 15)**.
12. With assistance, position the Bumper Assembly up to the outside of the Frame Brackets. Temporarily support the weight of the Bumper. **WARNING:** To avoid possible injury or damage to the vehicle, do not proceed until the Bumper is fully and safely supported.
 13. Attach the driver/left side of the Bumper to the Frame Brackets with (3) 12mm x 45mm Hex Bolts, (6) 12mm Flat Washers and (3) 12mm Nylon Lock Nuts, **(Figures 16 & 17)**. Do not fully tighten at this time. Repeat this **Step** to attach the passenger/right side of the Bumper.
 14. Level and adjust the bumper and fully tighten all hardware.
 15. Determine if vehicle is equipped with factory fog lights. On models with fog lights, also determine style of fog light.

Models without fog lights:

- a. Select the driver/left Block off Plate, **(Figure 18)**.
- b. Hold the Plate up to the back of the Bumper. Attach the Plate to the Bumper with the included (4) 6mm x 20mm Button Head Combo Bolts, **(Figure 19)**.
- c. Repeat Steps to attach the passenger/right Block Off Plate.

Models equipped with rectangular LED fog lights:

- a. Select the driver/left fog light housing. Remove the light assembly from the outer housing, **(Figure 20)**.
- b. Attach the assembly to the (4) mounting tabs on the Light Mount with the included (4) 6mm x 20mm Bolts, (8) 6mm Flat Washers and (4) 6mm Nylon Lock Nuts, **(Figure 21)**.

INSTALLATION PROCEDURE CONTINUED:

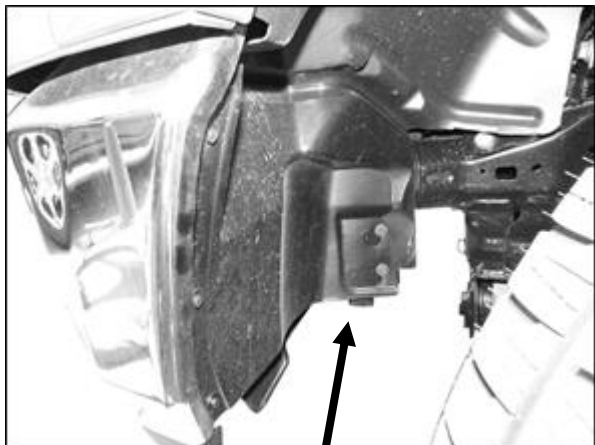
- c. Hold the Light Mount with light up to the back of the Bumper. Attach the Mount assembly to the Bumper with the included (4) 6mm x 20mm Button Head Combo Bolts, **(Figure 19)**.
- d. Repeat previous **Steps** to install the passenger/right fog light assembly.
- e. Plug the wiring harness into the lights and secure it to the Bumper.

Models equipped with round fog lights.

- a. Remove the driver/left fog light from plastic outer housing, **(Figure 22)**.
- b. Attach the fog light to driver/left Round Light Mount with (4) 4mm Screws, (8) 4mm Flat Washers, (4) 4mm Lock Washers and (4) 4mm Hex Nuts, **(Figure 23)**.
- c. Hold the Light Mount with light up to the back of the Bumper. Attach the Mount assembly to the Bumper with the included (4) 6mm x 20mm Button Head Combo Bolts, **(Figure 19)**.
- d. Repeat previous **Steps** to install the passenger/right fog light assembly.
- e. Plug the wiring harness into the lights and secure it to the Bumper.

16. Plug the bumper wiring harness into the main wire harness on the driver/left side of the vehicle.
17. If front license plate is required, attach the License Plate Bracket to the holes in the bumper with the included (4) 5mm x 20mm Phillips Head Screws, (8) 5mm Flat Washers, (4) 5mm Lock Washers and (4) 5mm Hex Nuts, **(Figure 24)**. Models with grille mounted camera, remove center screen from Bumper, **(Figure 24)**.
18. Do periodic inspections to the installation to make sure that all hardware is secure and tight.

INSTALLATION PROCEDURE IMAGES:



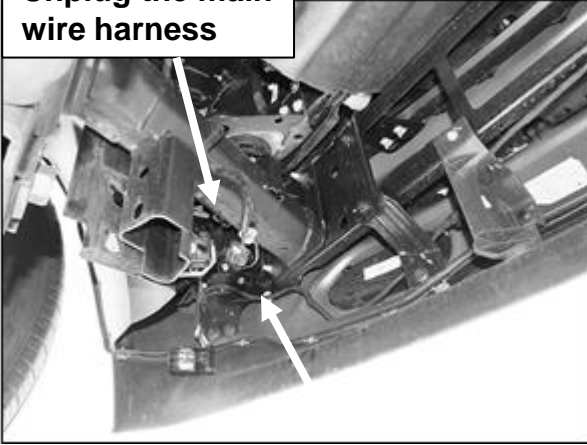
(Fig 1) Remove the (2) factory bolts attaching the side of the bumper to the frame (Driver/left side pictured)



(Fig 2) Models with automatic air dam, unplug and remove air dam, (Driver/left side pictured from below - arrow)

INSTALLATION PROCEDURE IMAGES CONTINUED:

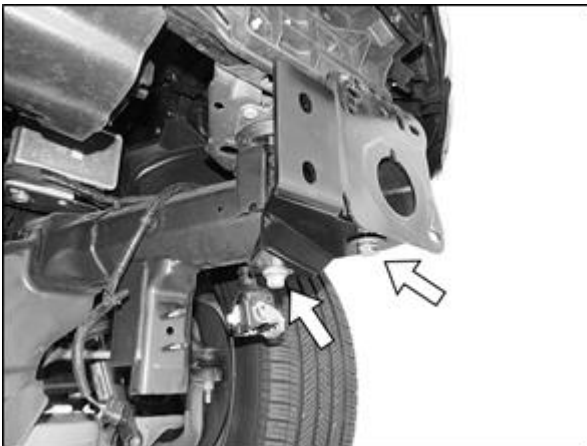
Unplug the main wire harness



(Fig 3) Remove the (3) flange nuts attaching the driver/left side of bumper to frame (arrows)



(Fig 5) Loosen but do not remove body mount bolt (arrow). Models with tow hooks, loosen rear bolt and remove tow hook

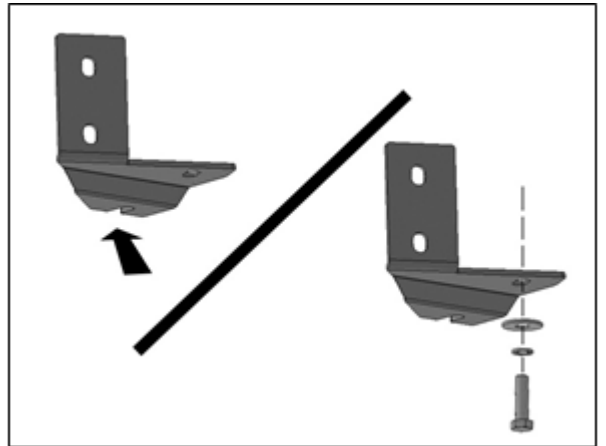


(Fig 7) Insert Support Bracket between frame and body bolt. Attach front of Bracket to bottom of frame (arrows)

WARNING! To reduce the risk of injury or damage to the vehicle, do not crawl under bumper unless it is properly supported on blocks or stands or the bumper may fall.

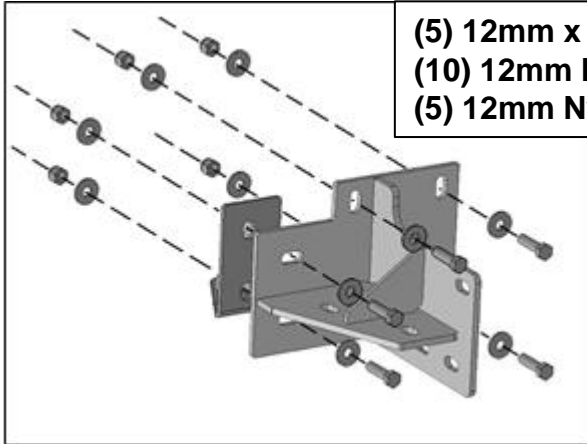


(Fig 4) Driver/left side mounting location



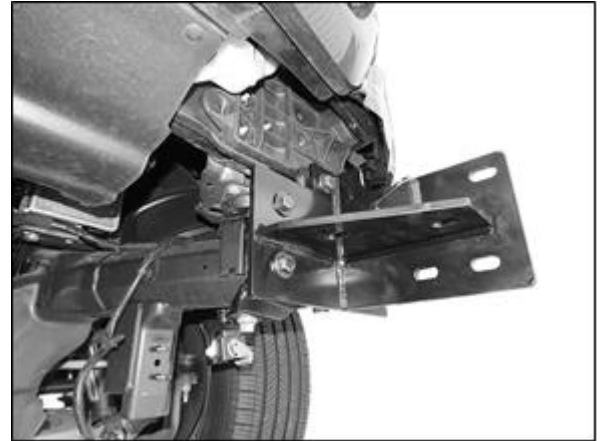
(Fig 6) Insert driver/left Support Bracket between frame and body bolt, (arrow). Attach front of Bracket to bottom of frame (forward tow hook mounting hole-see Fig 7)

INSTALLATION PROCEDURE IMAGES CONTINUED:

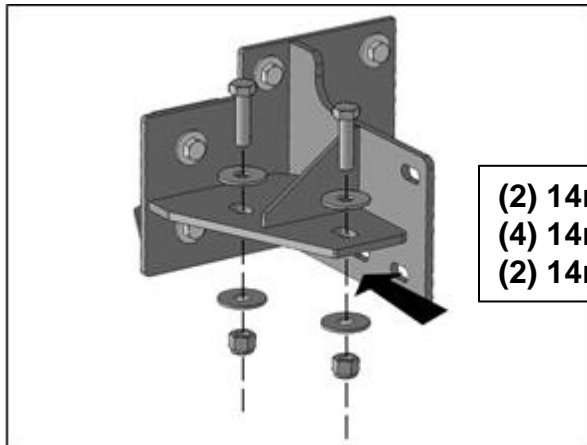


- (5) 12mm x 45mm Hex Bolts
- (10) 12mm Flat Washers
- (5) 12mm Nylon Lock Nuts

(Fig 8) Attach driver/left Frame Bracket to end of frame and Support Bracket



(Fig 9) Driver/left Frame Bracket installed

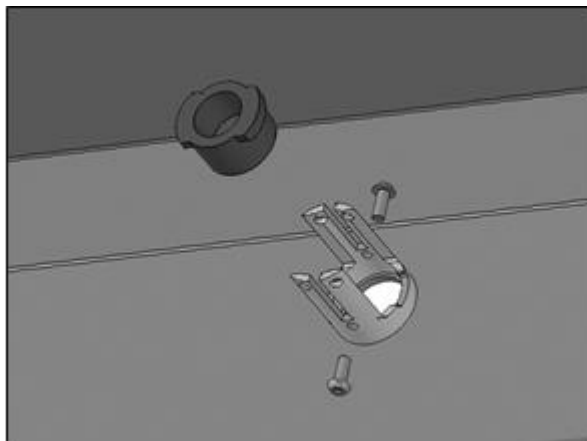


- (2) 14mm x 50mm Hex Bolts
- (4) 14mm Flat Washers
- (2) 14mm Nylon Lock Nuts

(Fig 10) Models with tow hooks, attach tow hook to inside of Frame Bracket (driver/left Bracket illustrated)

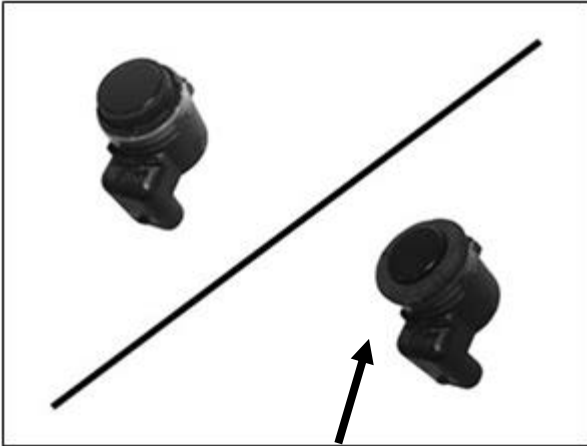


(Fig 11) Disassemble factory bumper to remove sensors, fog lights and wiring harness as equipped (driver/left side pictured)

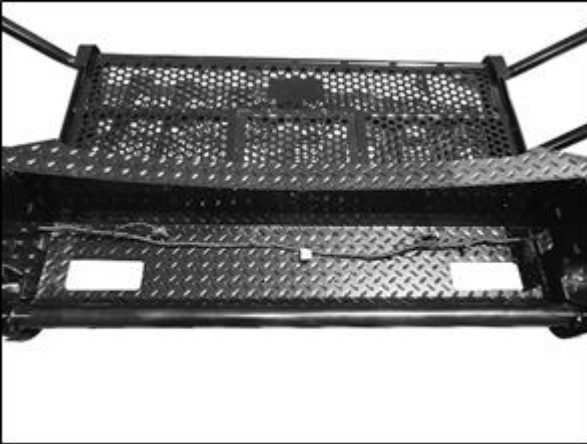


(Fig 12) Models without sensors, insert Rubber Plugs into sensor mounts

INSTALLATION PROCEDURE IMAGES CONTINUED:



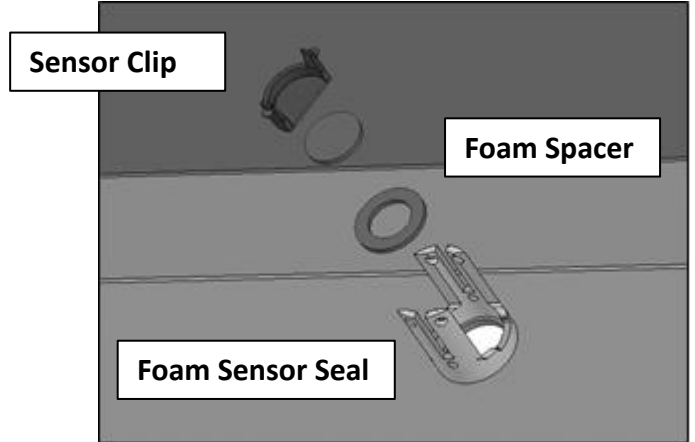
(Fig 13) Replace front seal on sensors with included larger Foam Seal



(Fig 15) Attach factory wiring harness to back of Bumper and sensors

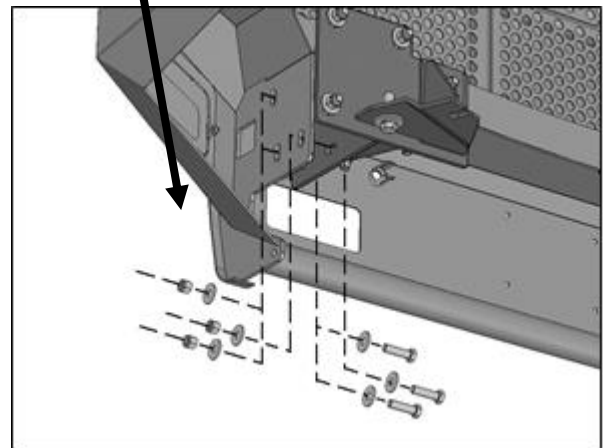


(Fig 17) Driver/left side of Bumper installed



(Fig 14) Insert sensor into the corresponding sensor mount on Bumper

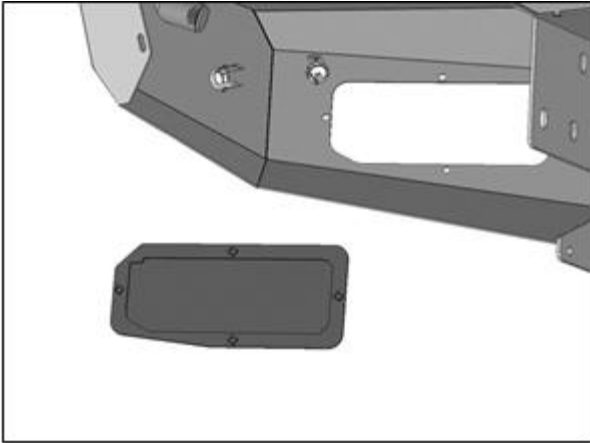
- (3) 12mm x 45mm Hex Bolts**
- (6) 12mm Flat Washers**
- (3) 12mm Nylon Lock Nuts**



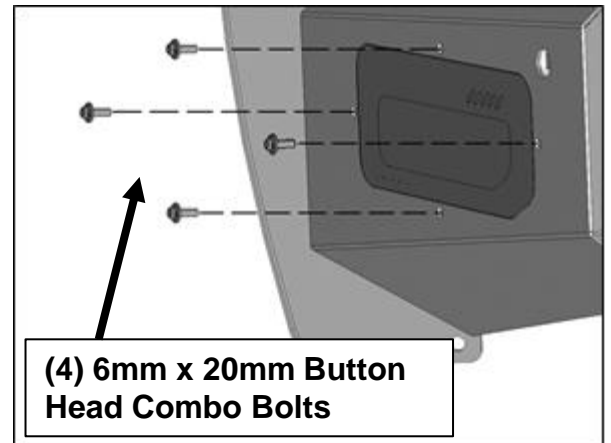
(Fig 16) Attach driver/left side of Bumper to outside of Frame Bracket

WARNING! To reduce the risk of injury or damage to the vehicle, do not crawl under bumper unless it is properly supported on blocks or stands or the bumper may fall.

INSTALLATION PROCEDURE IMAGES CONTINUED:



(Fig 18) Models without fog lights, hold driver/left side Block Off Plate up to the back of the Bumper, (also see Fig 19)



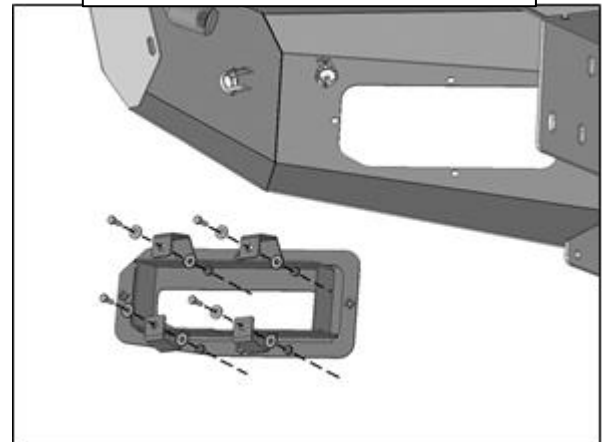
(4) 6mm x 20mm Button Head Combo Bolts

(Fig 19) Attach driver/left side Block Off Plate or correct fog light Mounts to Bumper (also see Figs 21 & 23)



(Fig 20) Remove the (4) bolts to remove the driver/left LED fog light from outer plastic housing if equipped

**(4) 6mm x 20mm Hex Bolts
(8) 6mm Flat Washers
(4) 6mm Nylon Lock Nuts**



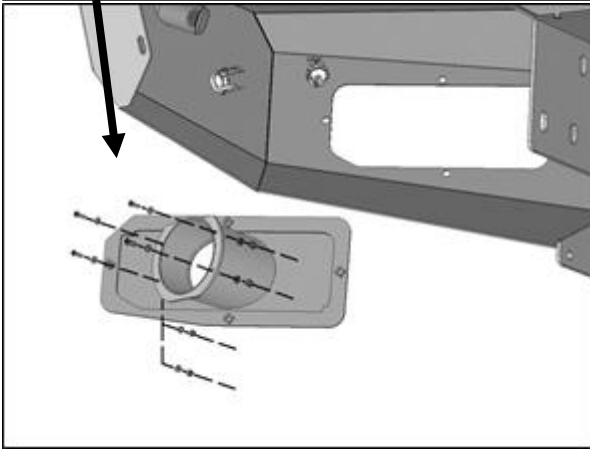
(Fig 21) Attach LED fog light to Light Mount. Attach Mount to back of Bumper (also see Fig 19)



(Fig 22) Remove driver/left round fog light from housing if equipped

INSTALLATION PROCEDURE IMAGES CONTINUED:

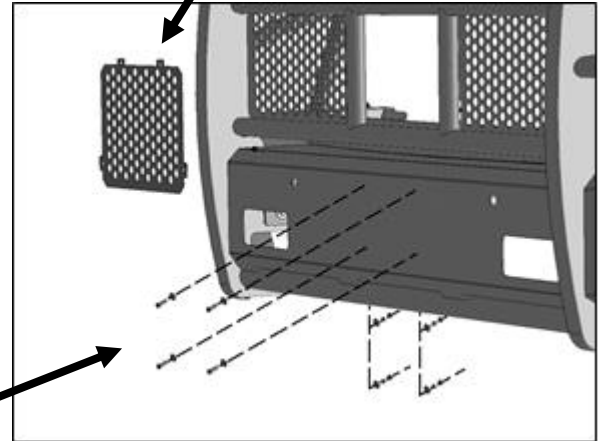
- (4) 4mm x 15mm Button Head Bolts**
- (8) 4mm Flat Washers**
- (4) 4mm Nylon Lock Nuts**



(Fig 23) Attach round fog light to Light Mount. Attach Mount to back of Bumper (also see Fig 19)

- (4) 5mm x 20mm Phillips Screws**
- (8) 5mm Flat Washers**
- (4) 5mm Lock Washers**
- (4) 5mm Hex Nuts**

Models with grille mounted camera, remove Screen



(Fig 24) Attach License plate to the front of the Bumper

Installation is now complete, check all hardware is tightened and torqued to spec.

PRODUCT CARE:

- Periodically check the product to ensure all fasteners are tight and components are intact.
- Use ONLY Non-Abrasive automotive wax. Use of any soap, polish or wax that contains an abrasive is detrimental and can scratch the finish leading to corrosion.
- Mild soap may be used to clean the Black finish product.

FAQ'S

- **Hardware and mounting brackets are not aligning properly**
 - Ensure that hardware is being used on the correct side of the vehicle. In some cases, the hardware may appear same for driver or passenger side but may alter the alignment of mounting location. Check mounting brackets for both sides.
- **Products are thumping / rattling after installation**
 - Ensure that all required mounting brackets / hardware's are installed & tighten correctly. Suggest using white lithium / regular grease between metal-to-metal contact.
- **Missing / Excess Hardware**
 - Recheck hardware count as per the part list.
- **Product not installing properly**
 - Ensure the Year / Make / Model as well as cab and bed dimensions are correct for the application. Review all steps for installation to ensure they were followed correctly.
- **Who should be contacted for questions regarding product / installation assistance?**
 - www.trailfx.com / support@trailfx.com 1-(866) 638-4870

Warranty Terms:

3 Year Limited Warranty:

TrailFX and Keystone Automotive Operations Inc. make no guarantees or warranties for products not manufactured by Keystone Automotive Operations Inc. Such products are covered solely under any applicable warranty of the manufacturer. It is always recommended that the operating instructions and warranty instructions provided by the manufacturer are followed.

Keystone Automotive Operations Inc. warrants its products to be free from manufacturing and material defects to the original purchaser for the length of warranty stated above from the date of retail purchase. If any products are found to have a manufacturing or material defect, the product will be replaced or repaired at the option of TrailFX and Keystone Automotive Operations Inc. with proof of purchase by the original purchaser. The original purchaser shall pay all transportation and shipping costs associated with the return of the defective product and the defective product shall become the property of Keystone Automotive Operations Inc.

The Warranty applies to Keystone Automotive Operations Inc. products used for individual and recreational purposes. Commercial usage of the Keystone Automotive Operations Inc. products limits the warranty to 90-days from date of purchase.

The Warranty applies only to Keystone Automotive Operations Inc. products which are found to be defective in manufacturing or material. This warranty does not apply to normal wear and tear of the finish placed on Keystone Automotive Operations Inc. products.

TrailFX and Keystone Automotive Operations Inc. are not responsible for any labor costs incurred for removal or replacement of the defective product.

TrailFX and Keystone Automotive Operations Inc. are not responsible for repair or replacement of any product under the limited warranty where the product was improperly installed, misapplied, altered, abused, neglected, overloaded, misused or damaged as a result of an accident, including any use of the product not in accordance with all product operating and safety instructions.

Without limiting the generality of the foregoing, TrailFX and Keystone Automotive Operations Inc. shall under no circumstances be liable for any incidental or consequential loss or damage whatsoever arising out of, or in any way relating to any such breach of warranty or claimed defect in, or non-performance of the products. Some states do not allow the exclusion or limitation of incidental or consequential damages, so the above exclusion or limitation may not apply to you.

This limited warranty gives you specific legal rights, and you may also have other rights that vary from state to state.