



**Assembly, Installation, Operation and
Maintenance Instructions
Full Replacement Front Bumper**

**Part Number:
FX3029**

240 minutes

Dealer / Installer: Provide a copy of these instructions to the end user of this product. These instructions provide important operating and safety information for proper usage of this product. Demonstrate the proper use of the product with the end user. Have the end user demonstrate that they understand the proper use of the product.

End User: Read and follow all instructions included in this manual. Ask your Dealer / Installer for assistance if you do not understand the proper use of the product. Never remove any decals from the product. Failure to follow these instructions can result in injury or death.

⚠️ WARNING ⚠️

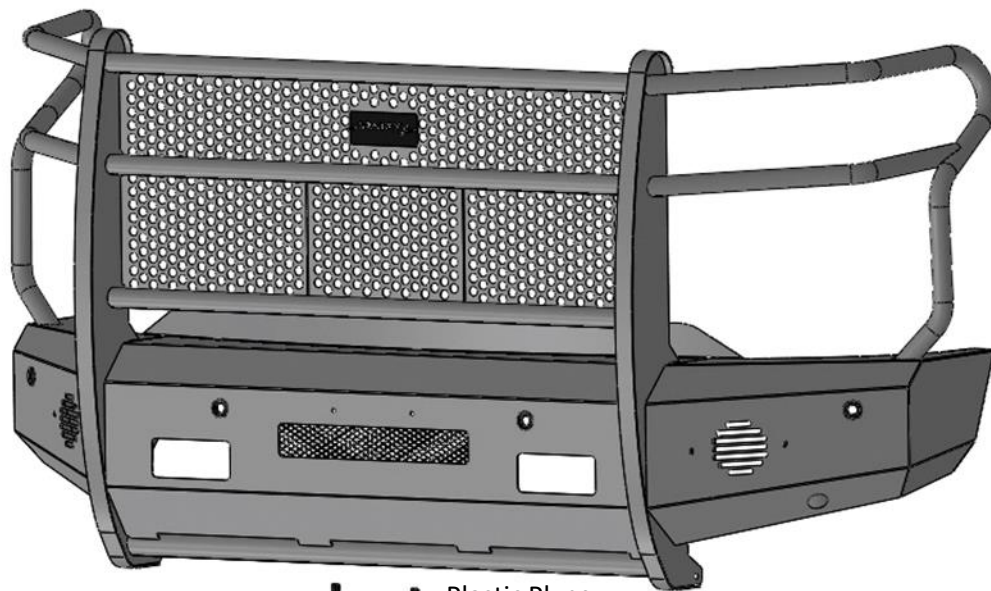
APPLICATION: 2020 – Chevrolet Silverado 2500 HD / 3500

PARTS LIST:

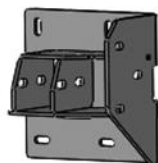
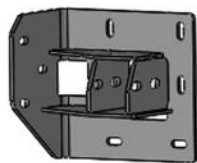
Qty	Part Description	Qty	Part Description
1	Full Replacement Front Bumper	28	12mm x 32mm OD x 3mm Flat Washers
1	Driver/Left Mounting Bracket	6	12mm Lock Washers
1	Passenger/Right Mounting Bracket	6	12mm Hex Nuts
2	Driver/Left Support Brackets	8	12mm Nylon Lock Nuts
2	Passenger/Right Support Brackets	4	10mm Double Bolt Plates
1	Driver/Left Shutter Relocation Bracket	8	10mm x 27mm OD x 3mm Flat Washers
1	Passenger/Right Shutter Relocation Bracket	8	10mm Nylon Lock Nuts
2	License Plate Plugs	10	6mm x 20mm Hex Bolts
1	Rubber Plug	20	6mm x 18mm OD x 1.6mm Flat Washers
6	Sensor Covers	10	6mm Nylon Lock Nuts
4	15.5mm x 25mm Foam Sensor Washers	8	4mm x 15mm Self Tapping Screws
4	20mm x 10mm Foam Spacer	2	3mm Spacers
4	Retaining Caps	2	2mm Spacers
4	Sensor Plugs	4	Wiring Harnesses
4	12mm x 130mm Hex Bolts	10	Wire Ties
10	12mm x 50mm Hex Bolts	1	2.5mm Hex Wrench

Torque Specs

12mm	70 ft/lbs
10mm	40 ft/lbs
6mm	102 in/lbs
Factory	See Mfg.



Passenger / Right Mounting Bracket



Driver / Left Mounting Bracket

Plastic Plugs



Sensor Caps
Foam Washers
Foam Spacers
Sensor Plugs
2mm / 3mm Spacers



Passenger / Driver Shutter Relocation Bracket



(2) Support Bracket

INSTALLATION PROCEDURE:

REMOVE CONTENTS FROM BOX. VERIFY ALL PARTS ARE PRESENT. READ INSTRUCTIONS CAREFULLY BEFORE STARTING INSTALLATION. ASSISTANCE IS RECOMMENDED TO AVOID POSSIBLE INJURY OR DAMAGE TO THE VEHICLE.

1. Start installation at the driver/left wheel opening. Remove the hardware attaching the fender liner to the front of the fender and the end of the plastic body panel, **(Figure 1)**. Carefully pull the fender flare out to release the clips attaching it to the body panel, (fascia), and end of the fender, **(Figure 2)**. Only release the forward end of the flare, it is not necessary to remove the flare. Remove the screws attaching the end of the fascia panel to the front fender, **(Figure 3)**. Repeat this Step to release the passenger/right end of the fascia from the fender. Pull along the center of the fascia to release the remainder of the clips and move the plastic panel to a clean surface, **(Figure 4)**.
2. Open the hood and remove the plastic cover from the top of the radiator and the grille, **(Figure 4)**. Remove the hardware attaching the grille and pull it straight out from the vehicle. On models with grille mounted camera, unplug harness leading to the camera and remove the grille, **(Figures 5 & 7)**.
3. Unplug any wiring harnesses leading to the front fender, **(Figure 6)**. Remove the license plate and bracket if equipped, **(Figure 7)**. Move all harnesses away from bumper.
4. Remove the hardware at each end of the bumper attaching the bumper supports to each side of the frame, **(Figure 8)**.

INSTALLATION PROCEDURE CONTINUED:

5. Place blocks or jack stands under the front bumper to support it during mounting bolt removal. Once the bumper has been safely supported, from above the bumper, remove the (2) factory upper and lower bumper bolts from each side, **(Figure 9)**. **WARNING!** Assistance is required to hold the bumper in place during bolt removal to prevent the bumper from falling. Remove the bumper assembly.
6. Remove the factory bumper brackets and tow hooks, (if equipped), from the end of frame, **(Figure 10 & 12)**. On models with lower radiator shutter assembly, unplug and remove the assembly, **(Figure 11)**.
7. Select (1) Driver/Left Support Bracket and (1) Passenger/Right Support Bracket. Attach the Brackets to the sides of the frame with (2) 10mm Double Bolt Plates, (4) 10mm Flat Washers and (2) 10mm Nylon Lock Nuts, **(Figure 13)**.
8. Select the Driver/Left Mounting Bracket. Reuse the (4) factory bolts to attach the top (4) slots in the Bracket to the end of the frame. **NOTE:** Attach the Driver/Left Shutter Relocation Bracket to the inner lower slot of the Mounting Bracket, **(Figure 14)**. Do not tighten hardware.
9. Attach the Mounting Bracket to the (2) Support Brackets with (2) 12mm x 50mm Hex Bolts, (4) 12mm Flat Washers and (2) 12mm Nylon Lock Nuts, **(Figure 14)**. Do not tighten hardware.
10. Repeat **Steps 7—9** to attach the Brackets to the Passenger/Right Side.
11. Remove the shutter from the end of the vehicle, **(Figure 15)**. Attach the shutter to the Relocation Brackets with (4) 6mm x 20mm Hex Bolts, (8) 6mm Flat Washers and (4) 6mm Nylon Lock Nuts, **(Figure 16)**. Do not tighten hardware. Re-plug the shutter wire harness.
12. **For vehicles not equipped with parking sensors**
 - a. Select the (4) Sensor Plugs.
 - b. Insert the plugs into the front of the sensor sleeves, **(Figure 17)**.
 - c. Skip to **Step 14**.
13. **For vehicles equipped with parking sensors**
 - a. Remove the parking sensors and wire harness from the back of the factory bumper, **(Figure 18)**. **NOTE:** Mark the location of each sensor.
 - b. Remove the factory seal from the end of each of the (4) sensors. Slide (1) Foam Washers onto the end of the each of the (4) sensors, **(Figure 19)**.
 - c. Insert the parking sensors into the sensor sleeves on the back of the Bumper. Secure the sensors with (4) Foam Spacers and (4) retaining Caps, **(Figure 20)**.
 - d. **Optional:** Secure each sensor to the socket with (2) 4mm x 10mm Button Head Screws.
 - e. Continue to **Step 14**.
14. Select the factory tow hooks. Attach the tow hooks with the slope down to the Mounting Brackets with (4) 12mm x 130mm Hex Bolts, (8) 12mm Flat Washers and (4) 12mm Nylon Lock Nuts, **(Figure 21)**. Do not tighten hardware. **NOTE:** Use the 3mm Spacers and 2mm Spacers as necessary to tighten tolerance between the tow hooks and the Mounting Brackets. Tighten tow hook hardware.
15. With assistance, position the Bumper Assembly up to and over the Brackets and tow hooks. Temporarily support the weight of the Bumper. **WARNING:** To avoid possible injury or damage to the vehicle, do not proceed until the Bumper is fully and safely supported.
16. Line up the holes in the mounting plates on the inside of the Bumper with the slots in the Mounting Brackets. Attach the Bumper to the Brackets with (6) 12mm x 50mm Hex Bolts, (12) 12mm Flat Washers and (6) 12mm Nylon Lock Nuts, **(Figures 22 & 23)**. Do not tighten hardware.
17. Level and adjust the Bumper and fully tighten all 12mm hardware to 65-70ft-lbs.

INSTALLATION PROCEDURE CONTINUED:

18. Models with fog lights:

- a. Remove the fog lights from the factory bumper.
 - b. Attach the Passenger/Right fog light to the mounting tabs on the back of the Driver/Left side of the Bumper with the included (3) 6mm x 20mm Hex Bolts, (6) 6mm Flat Washers and (3) 6mm Nylon Lock Nuts, **(Figure 24)**. Do not overtighten hardware or damage to the light may result.
 - c. Repeat the previous Steps to attach the Driver/Left fog light to the Passenger/Right side of the Bumper.
19. Install the factory bumper wiring harness for sensors and fog lights as equipped. Run wiring harness over Brackets to reach sensors. **NOTE:** (4) Wire Harness Extensions have been included to extend the factory harness to reach the sensors as needed. Plug harness into fog lights.
20. Use the included (2) License Plate Plugs to attach the front license plate, (if required), to the (2) holes in the front Bumper, **(Figure 25)**.
21. Models with grille mounted camera, remove screen from center of Bumper, **(Figure 26)**.
22. Do periodic inspections to the installation to make sure that all hardware is secure and tight.

INSTALLATION PROCEDURE IMAGES:

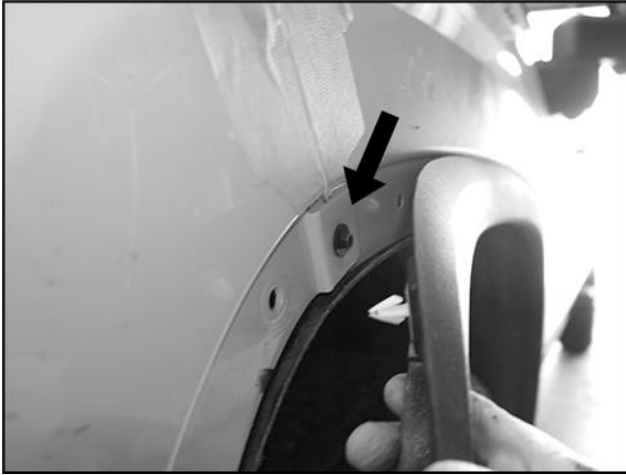


(Fig 1) Release hardware attaching fender liner from plastic panel (fascia-see arrows)



(Fig 2) Pull front end of fender flare out and away from fender. Do not remove flare, only release the front section

INSTALLATION PROCEDURE IMAGES CONTINUED:



(Fig 3) Remove screws attaching plastic fascia panel to front end of fender (arrow)



(Fig 4) Remove plastic fascia from top of bumper



(Fig 5) Disconnect harness to camera (if equipped) and remove grille



(Fig 6) Disconnect all wire harnesses leading to front bumper



(Fig 7) Grille and fascia removed



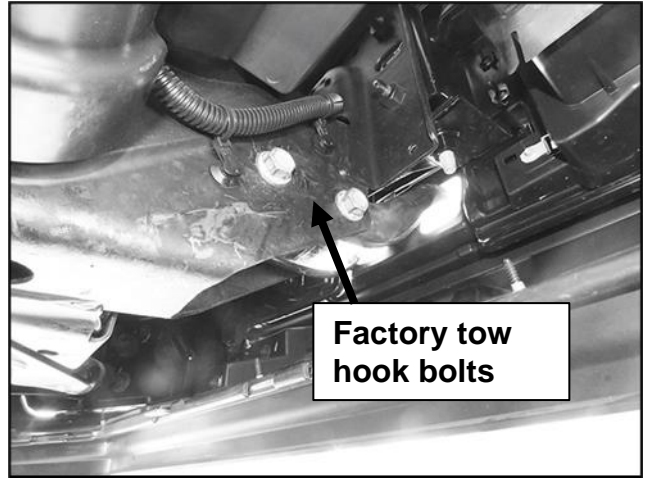
(Fig 8) Remove driver/left and passenger/right outer bumper supports attach to bottom of frame

INSTALLATION PROCEDURE IMAGES CONTINUED:

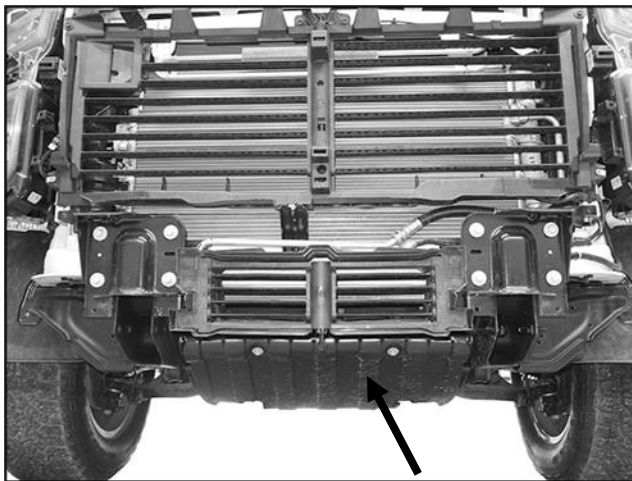
WARNING! Do not crawl under bumper unless the bumper is properly supported on blocks or stands or it may fall.



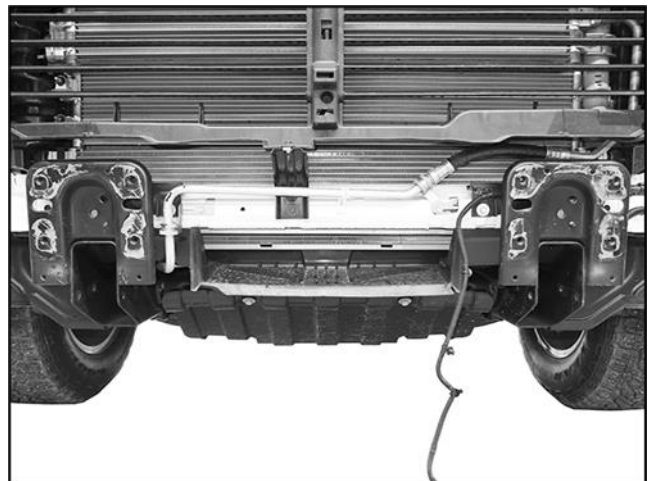
(Fig 9) From above, remove the hex bolts attaching the bumper assembly to the frame bumper brackets (top visible-arrow)



(Fig 10) Remove tow hooks, (if equipped) after bumper has been removed



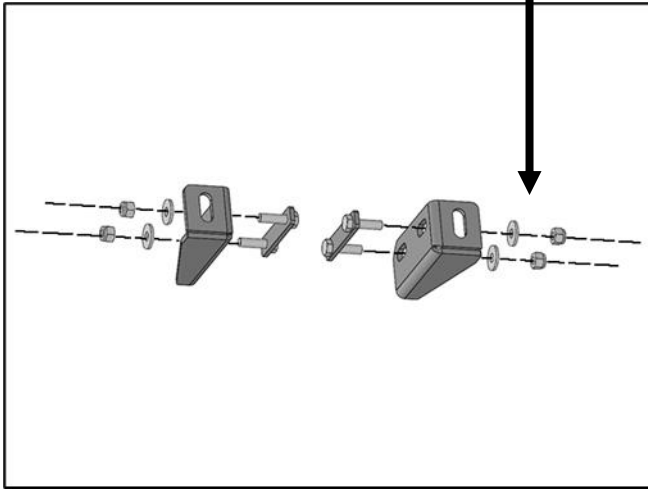
(Fig 11) Remove tow hooks, bumper brackets and shutter assembly (arrow) if equipped



(Fig 12) Attach Frame Brackets to end of frame

INSTALLATION PROCEDURE IMAGES CONTINUED:

- (2) 10mm Double Bolt Plates
- (4) 10mm Flat Washers
- (2) 10mm Nylon Lock Nuts

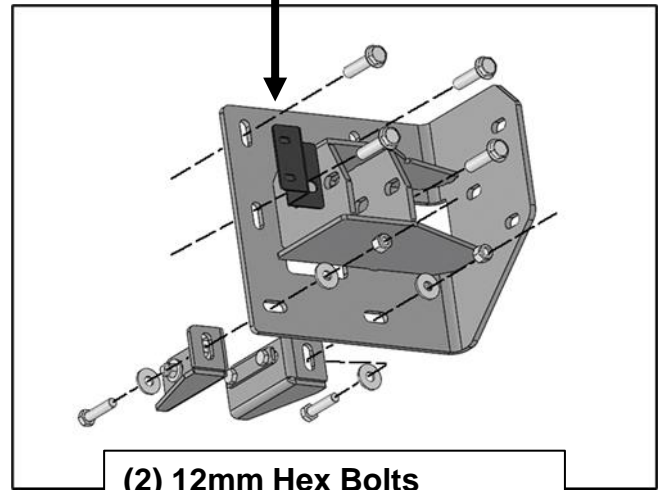


(Fig 13) Attach Driver/Left and Passenger / Right Support Bracket to end of frame



(Fig 15) Remove inner shutter assembly from plastic outer housing (if equipped)

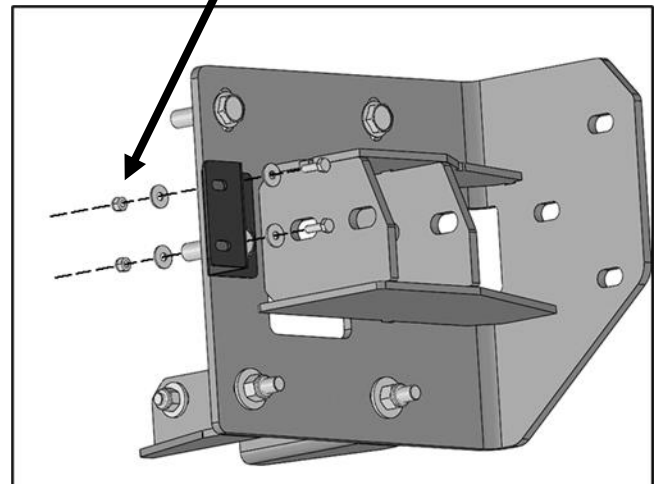
- Passenger/Right Sutter Relocation Bracket



- (2) 12mm Hex Bolts
- (4) 12mm Flat Washers
- (2) 12mm Nylon Lock Nuts

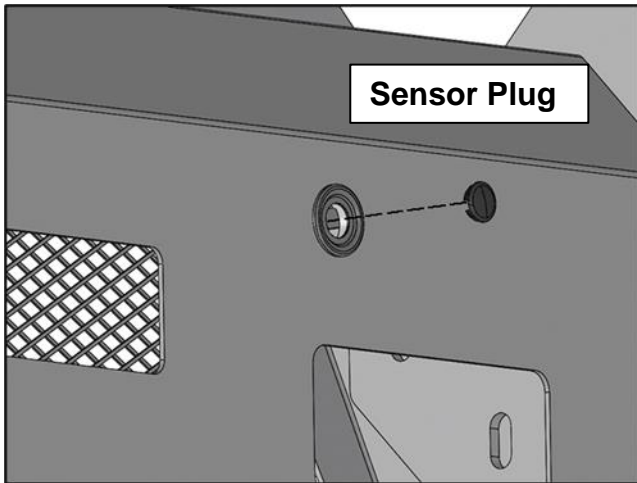
(Fig 14) Attach the Passenger/Right Mounting Bracket to the frame and Support Brackets

- (2) 6mm x 20mm Hex Bolts
- (4) 6mm Flat Washers
- (2) 6mm Nylon Lock Nuts

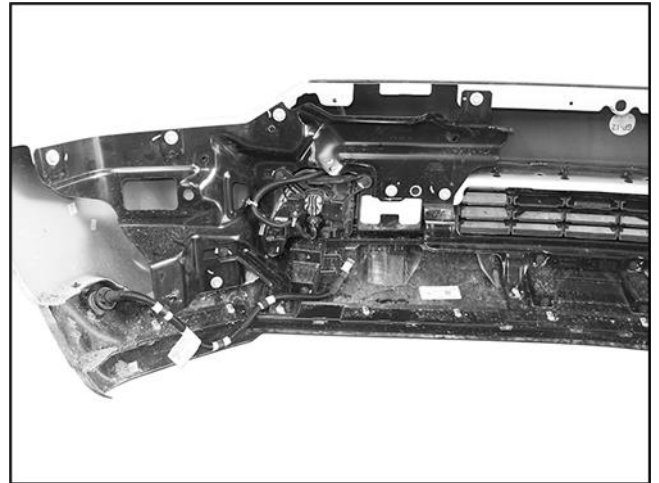


(Fig 16) Attach shutter assembly, (if equipped), to front of Relocation Brackets

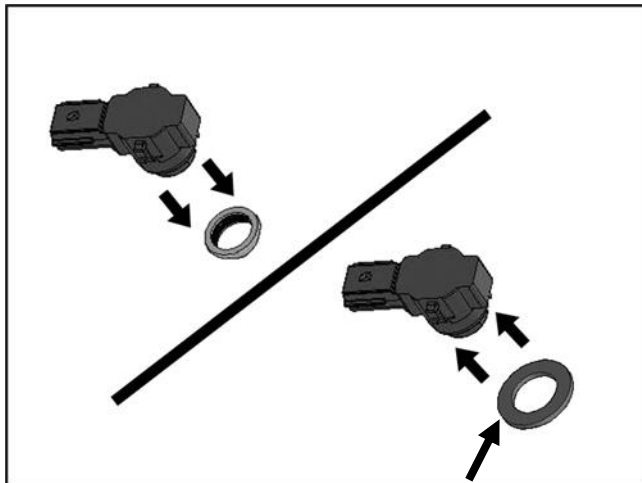
INSTALLATION PROCEDURE IMAGES CONTINUED:



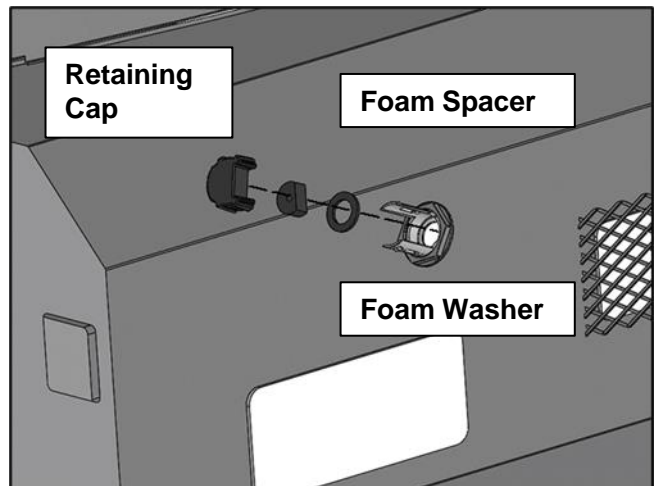
(Fig 17) Push sensor plug into mounting sleeve



(Fig 18) Disassemble bumper and remove fog lights, sensors and wiring harness as equipped

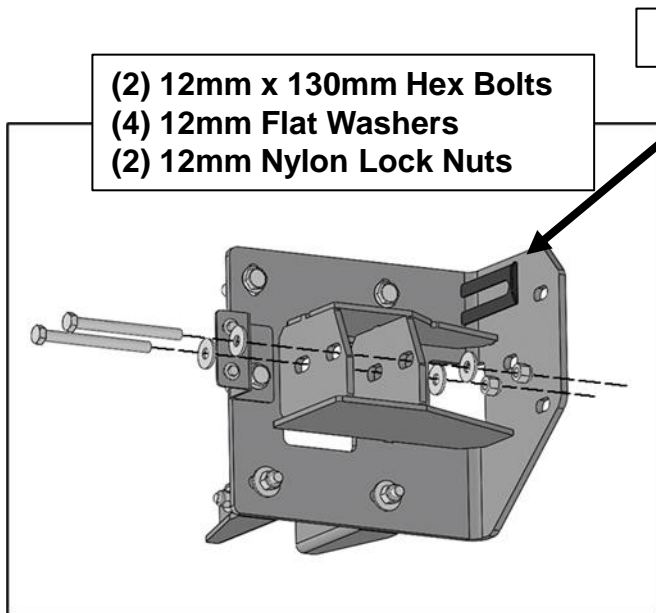


(Fig 19) Remove silicone seal from sensor. Slide large Seal over end of sensor (arrow)

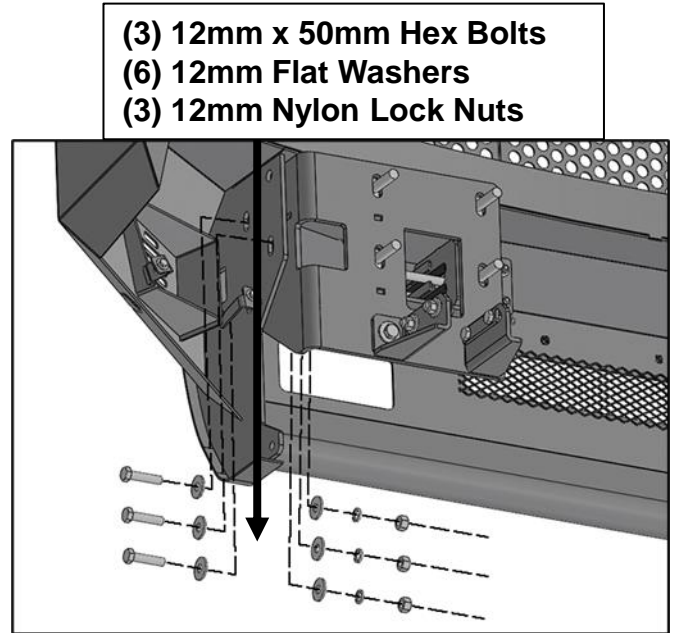


(Fig 20) Insert sensor assembly through the sensor sleeve behind the Bumper

INSTALLATION PROCEDURE IMAGES CONTINUED:



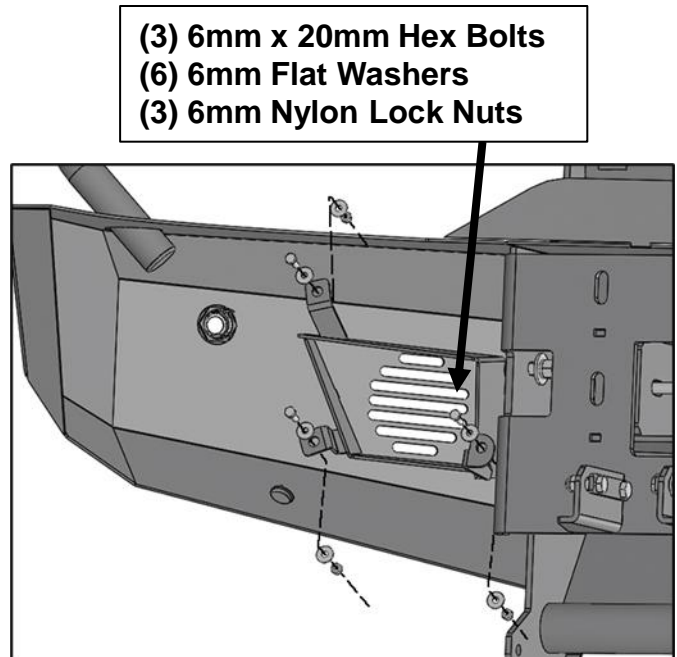
(Fig 21) Attach the tow hooks (if equipped), to the inside of the Frame Bracket, NOTE: Use the 3mm or 2mm Spacers to fill the gaps as needed.



(Fig 22) Attach the Bumper to Frame Brackets

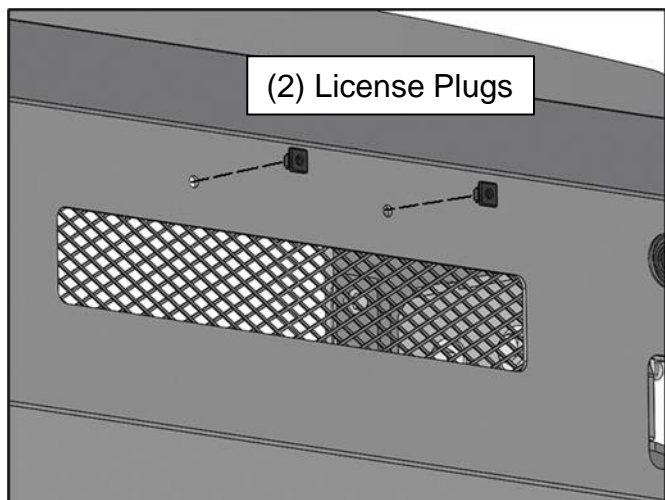


(Fig 23) Driver/Left side of Bumper installed

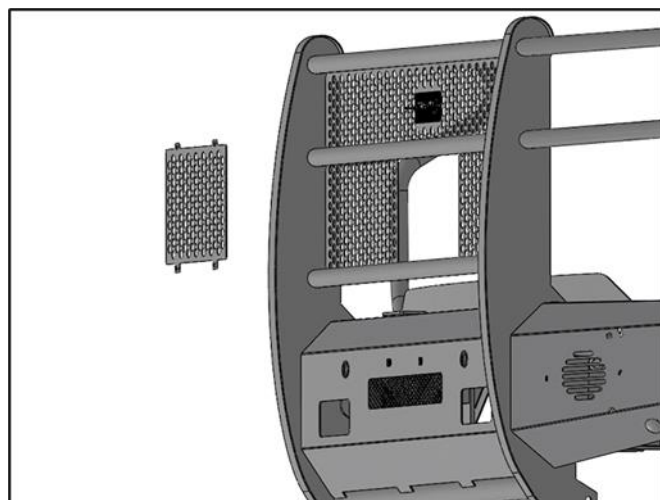


(Fig 24) Attach passenger/right fog light to mounting tabs on driver/left side of Bumper

INSTALLATION PROCEDURE IMAGES CONTINUED:



(Fig 25) Attach License Plate Bracket to Bumper



(Fig 26) Models with camera, remove screen

Installation is now complete, check all hardware is tightened and torqued to spec.

PRODUCT CARE:

- Periodically check the product to ensure all fasteners are tight and components are intact.
- Use ONLY Non-Abrasive automotive wax. Use of any soap, polish or wax that contains an abrasive is detrimental and can scratch the finish leading to corrosion.
- Mild soap may be used to clean the Black finish product.

FAQ'S

- **Hardware and mounting brackets are not aligning properly**
 - Ensure that hardware is being used on the correct side of the vehicle. In some cases, the hardware may appear same for driver or passenger side but may alter the alignment of mounting location. Check mounting brackets for both sides.
- **Products are thumping / rattling after installation**
 - Ensure that all required mounting brackets / hardware's are installed & tighten correctly. Suggest using white lithium / regular grease between metal-to-metal contact.
- **Missing / Excess Hardware**
 - Recheck hardware count as per the part list.
- **Product not installing properly**
 - Ensure the Year / Make / Model as well as cab and bed dimensions are correct for the application. Review all steps for installation to ensure they were followed correctly.
- **Who should be contacted for questions regarding product / installation assistance?**
 - www.trailfx.com / support@trailfx.com 1-(866) 638-4870

Warranty Terms:

3 Year Limited Warranty:

TrailFX and Keystone Automotive Operations Inc. make no guarantees or warranties for products not manufactured by Keystone Automotive Operations Inc. Such products are covered solely under any applicable warranty of the manufacturer. It is always recommended that the operating instructions and warranty instructions provided by the manufacturer are followed.

Keystone Automotive Operations Inc. warrants its products to be free from manufacturing and material defects to the original purchaser for the length of warranty stated above from the date of retail purchase. If any products are found to have a manufacturing or material defect, the product will be replaced or repaired at the option of TrailFX and Keystone Automotive Operations Inc. with proof of purchase by the original purchaser. The original purchaser shall pay all transportation and shipping costs associated with the return of the defective product and the defective product shall become the property of Keystone Automotive Operations Inc.

The Warranty applies to Keystone Automotive Operations Inc. products used for individual and recreational purposes. Commercial usage of the Keystone Automotive Operations Inc. products limits the warranty to 90-days from date of purchase.

The Warranty applies only to Keystone Automotive Operations Inc. products which are found to be defective in manufacturing or material. This warranty does not apply to normal wear and tear of the finish placed on Keystone Automotive Operations Inc. products.

TrailFX and Keystone Automotive Operations Inc. are not responsible for any labor costs incurred for removal or replacement of the defective product.

TrailFX and Keystone Automotive Operations Inc. are not responsible for repair or replacement of any product under the limited warranty where the product was improperly installed, misapplied, altered, abused, neglected, overloaded, misused or damaged as a result of an accident, including any use of the product not in accordance with all product operating and safety instructions.

Without limiting the generality of the foregoing, TrailFX and Keystone Automotive Operations Inc. shall under no circumstances be liable for any incidental or consequential loss or damage whatsoever arising out of, or in any way relating to any such breach of warranty or claimed defect in, or non-performance of the products. Some states do not allow the exclusion or limitation of incidental or consequential damages, so the above exclusion or limitation may not apply to you.

This limited warranty gives you specific legal rights, and you may also have other rights that vary from state to state.