



**Assembly, Installation, Operation and
Maintenance Instructions
Full Replacement Front Bumper**

**Part Number:
FX3030**

240 minutes

Dealer / Installer: Provide a copy of these instructions to the end user of this product. These instructions provide important operating and safety information for proper usage of this product. Demonstrate the proper use of the product with the end user. Have the end user demonstrate that they understand the proper use of the product.

End User: Read and follow all instructions included in this manual. Ask your Dealer / Installer for assistance if you do not understand the proper use of the product. Never remove any decals from the product. Failure to follow these instructions can result in injury or death.

⚠️ WARNING ⚠️

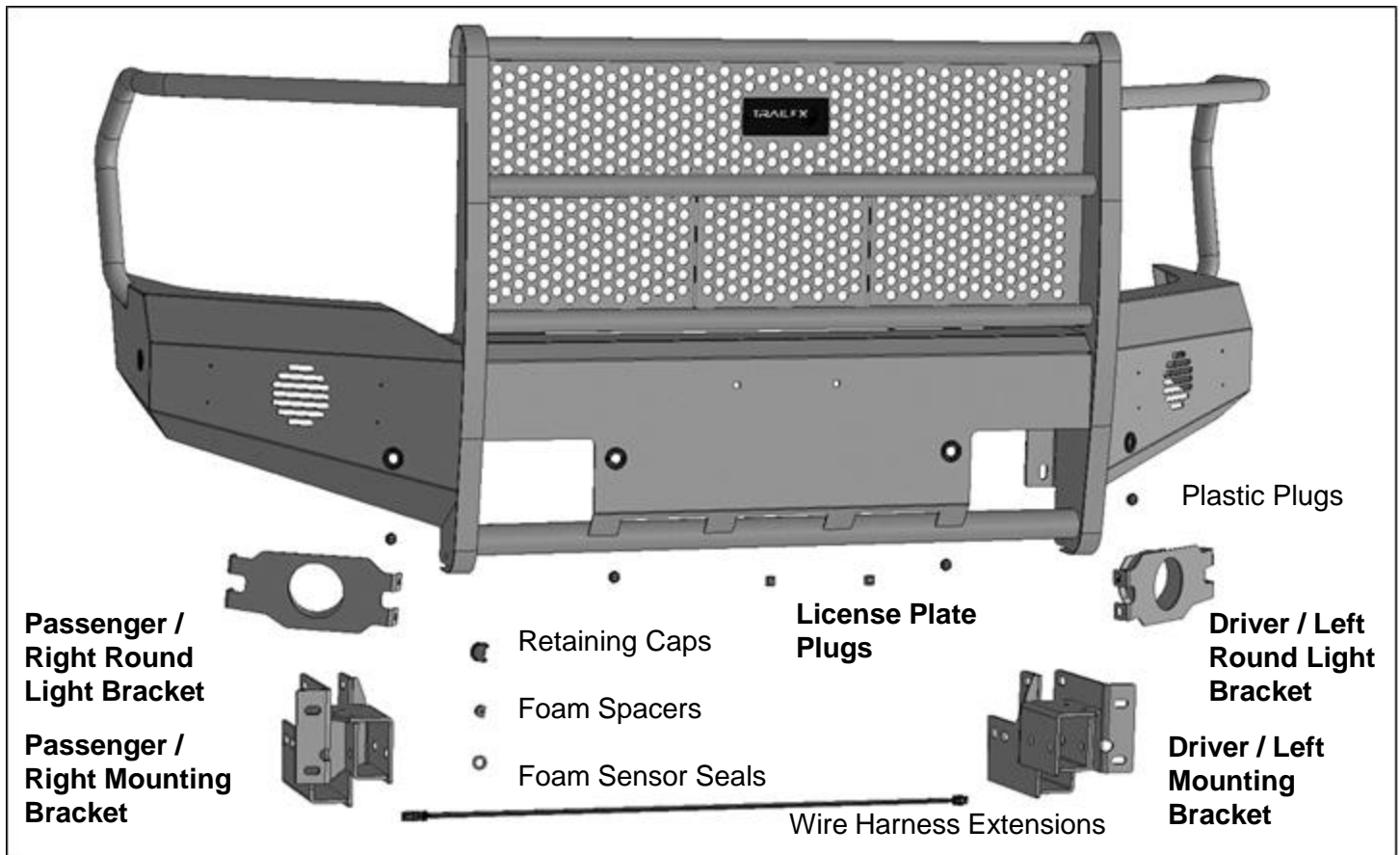
APPLICATION: 2019 – 2020 RAM 2500 / 3500

PARTS LIST:

Qty	Part Description	Qty	Part Description
1	Front Bumper Assembly	16	12mm x 32mm x 3mm Flat Washers
1	Driver/left Mounting Bracket	8	12mm Nylon Lock Nuts
1	Passenger/right Mounting Bracket	6	6-1.0mm x 20mm Hex Bolts
1	Driver/left Round Light Bracket	12	6mm x 22mm x 2mm Flat Washers
1	Passenger/right Round Light Bracket	6	6mm Lock Washers
2	License Plate Mounting Plugs	6	6mm Hex Nuts
6	Sensor Retaining Caps	8	4mm x 20mm Button Head Allen Bolts
6	Foam Sensor Spacers	16	4mm Flat Washers
6	25mm x 15.5mm x 2mm Foam Seals	8	4mm Lock Washers
6	Sensor Plugs	8	4mm Hex Nuts
2	Wire Harness Extensions	12	4mm Self Tapping Screws
4	12-1.75mm x 100mm Hex Bolts	1	2.5mm Wrench
4	12-1.75mm x 40mm Hex Bolts		

Torque Specs

12mm	70 ft/lbs
6mm	102 in/lbs
4mm	27.6 in/lbs
Factory	See Mfg.



INSTALLATION PROCEDURE:

REMOVE CONTENTS FROM BOX. VERIFY ALL PARTS ARE PRESENT. READ INSTRUCTIONS CAREFULLY BEFORE STARTING INSTALLATION. ASSISTANCE IS RECOMMENDED TO AVOID POSSIBLE INJURY OR DAMAGE TO THE VEHICLE.

1. Remove the license plate. On models with bumper mounted sensors and/or fog lights, unplug the wiring harness leading to the front bumper. Move the wiring harnesses out of the way.
2. Locate the factory bumper bolts attaching the inner bumper brackets to the end of the frame, **(Figure 1)**. With assistance, remove the (2) long hex bolts per side to remove the bumper assembly, **(Figure 2)**. **WARNING!** Assistance is required to hold the bumper in place during hardware removal to prevent the bumper from falling.
3. Slide the factory bumper off over the tow hooks, **(Figure 2)**.
4. Remove tow hooks and lower frame extensions from the bottom of the frame if equipped, **(Figure 2)**.
5. Select the driver/left side Frame Bracket, **(Figure 3)**. Line up the holes in the Bracket with the frame. Reuse the factory hex bolts from **Step 2 & 4** to attach the Bracket to the frame, **(Figure 4)**. Snug but do not fully tighten hardware at this time.
6. Attach the driver/left tow hook to the inside of the Bracket with the included (2) 12mm x 100mm Hex Bolts, (4) 12mm Flat Washers and (2) 12mm Nylon Lock Nuts, **(Figures 3 & 5)**. Fully tighten tow hook hardware only.
7. Repeat **Steps 4—6** to attach the passenger/right side Mounting Bracket and tow hook.

INSTALLATION PROCEDURE CONTINUED:

8. Disassemble the factory bumper to carefully remove the fog lights, all sensors and the wiring harness as equipped, **(Figures 6 & 14)**. Note location of each sensor for correct reinstallation.

Models without bumper sensors:

- a. Select the included (6) Plastic Plugs.
- b. Push the plugs into the sensor mounting holes, **(Figure 7)**.

Models with bumper mounted sensors. NOTE: Sensors, (if equipped), must be installed in Bumper before Bumper is attached to Brackets:

- a. Select the driver/left outer sensor. Remove the seal from the end of the sensor, **(Figure 8)**. Replace the seal with the included larger Foam Seal.
- b. Push the sensor into the mounting socket in the back of the Bumper.
- c. Apply (1) Foam Spacer to the plug end of the sensor, **(Figure 8)**.
- d. Secure the sensor to the socket with (1) Sensor Retaining Cap, **(Figure 8)**.
- e. Move to the next sensor location. Repeat previous Steps to install the next sensor as you work your way across the Bumper.
- f. Reinstall the factory wiring harness, **(Figure 9)**. **NOTE:** (2) Wire Harness Extensions have been included to reach sensors as needed.
- g. Secure harness to the Bumper as required.

9. With assistance, position the Bumper assembly up to the (2) Frame Brackets. **WARNING:** To avoid possible injury or damage to the vehicle, do not proceed until the Bumper is fully and safely supported.

10. Attach the Bumper to the Frame Brackets with (4) 12mm x 40mm Hex Bolts, (8) 12mm Flat Washers and (4) 12mm Nylon Lock Nuts, **(Figures 10 & 11)**. Snug but do not fully tighten hardware.

11. Level and adjust the Bumper to the vehicle and fully tighten all hardware.

12. On models with fog lights, determine style of fog light.

Models equipped with rectangular fog lights:

- a. Remove driver/left fog light from plastic outer housing, **(Figure 6)**.
- b. Attach the light to the (3) mounting tabs on the back of the Bumper with the included (3) 6mm Bolts, (6) 6mm Flat Washers and (3) 6mm Nylon Lock Nuts, **(Figures 12 & 13)**. Repeat this Step to attach the passenger/right fog light to the back of the Bumper.
- c. Plug in the wiring harness to the lights and secure it to the Bumper.

Models equipped with round fog lights:

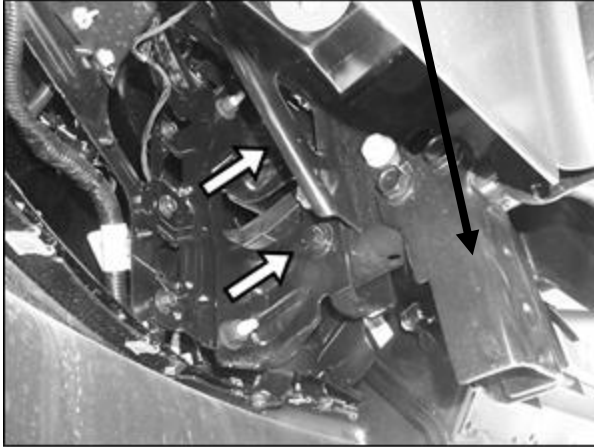
- a. Remove fog light from outer housing, **(Figure 14)**.
- b. Remove driver/left rectangular fog light mounting bracket from back of Bumper, **(Figure 15)**.
- c. Reuse hardware to attach the driver/left Round Fog Light Bracket to the Bumper, **(Figure 15)**.
- d. Attach light to Bracket with (4) 4mm x 20mm Button Head Bolts, (8) 4mm Flat Washers, (4) 4mm Lock Washers and (4) 4mm Hex Nuts, **(Figure 16)**.
- e. Repeat previous Steps to attach the passenger/right fog light.
- f. Plug in the harness to the lights and secure it to the Bumper.

13. If front license plate is required, insert (2) Plastic Plugs into the square holes in the Bracket, **(Figure 17)**. Reuse the factory screws to attach the license plate to the Plastic Plugs.

14. Do periodic inspections to the installation to make sure that all hardware is secure and tight.

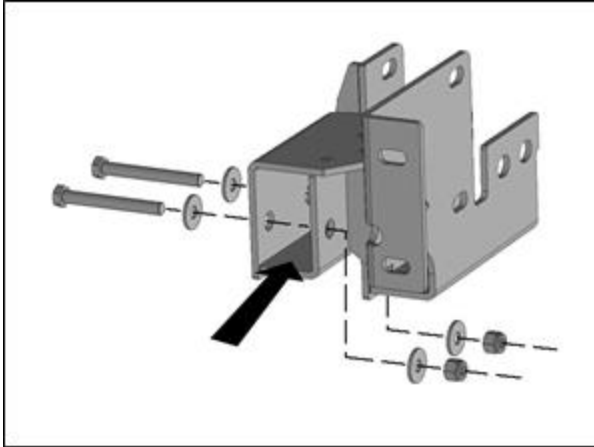
INSTALLATION PROCEDURE IMAGES:

Lower frame extension



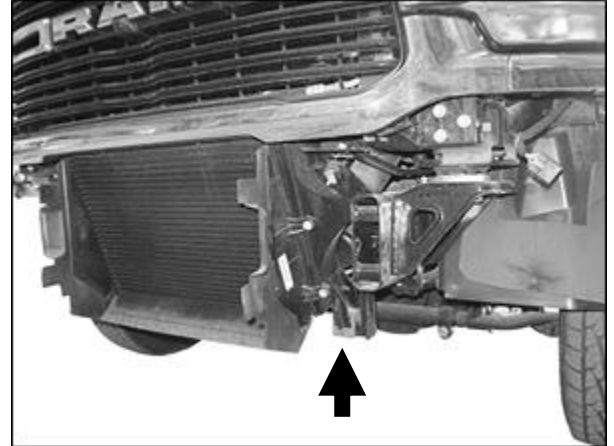
(Fig 1) Locate and remove driver/left side bumper bracket to frame hardware (arrows)

- (2) 12mm x 100mm Hex Bolts
- (4) 12mm Flat Washers
- (2) 12mm Nylon Lock Nuts



(Fig 3) Reuse factory hardware to attach the driver/left Mounting Bracket to the end of the frame. Attach tow hook to inside of Bracket

WARNING! To avoid possible injury or damage to vehicle, do not remove bumper bolts unless the bumper is properly supported on blocks or stands, or it may fall.

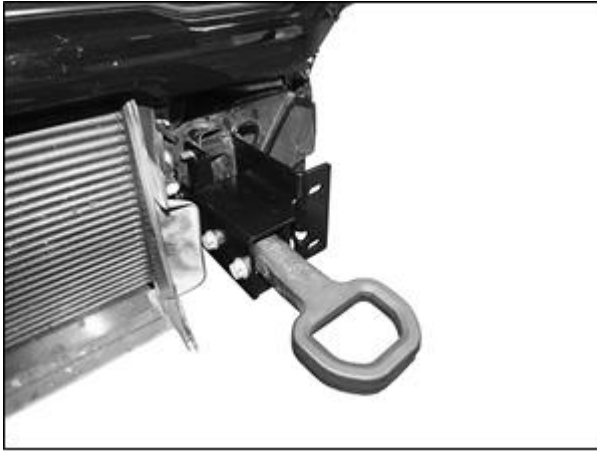


(Fig 2) Bumper, lower frame extensions and tow hooks removed

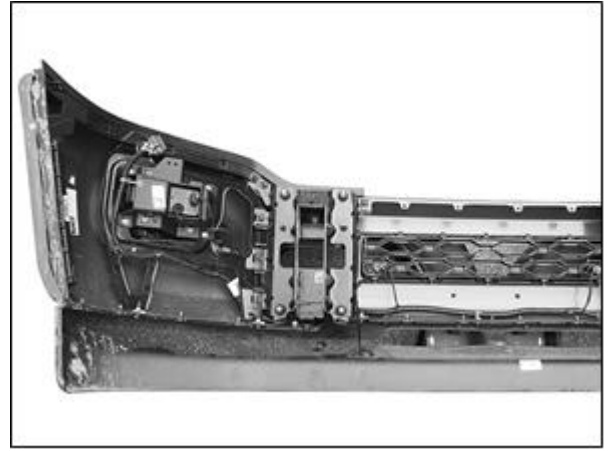


(Fig 4) Driver/left Frame Bracket installed

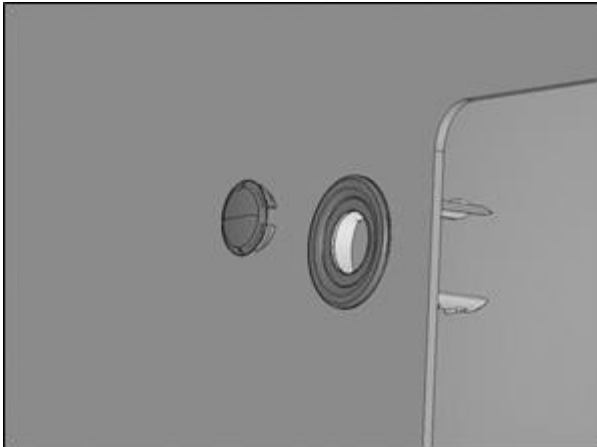
INSTALLATION PROCEDURE IMAGES CONTINUED:



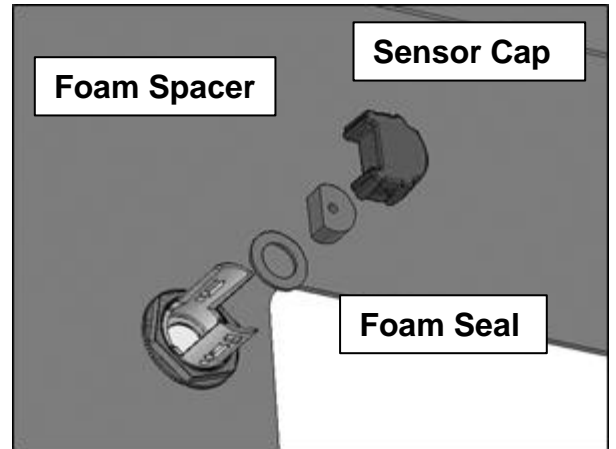
(Fig 5) Driver/left tow hook relocated to inside of Frame Bracket



(Fig 6) Remove harness, fog light and parking sensors from factory bumper. Note rectangular fog light assembly pictured



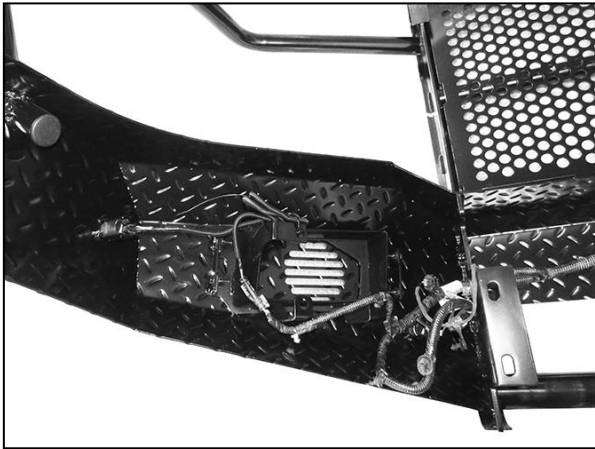
(Fig 7) Models without sensors, push Plugs into Sensor Mounts



(Fig 8) Remove front seal from Sensor. Apply larger Foam Seal to front of sensor. Slide sensor into mount, insert Foam Spacer and Retaining Cap to lock sensor in mount

INSTALLATION PROCEDURE IMAGES CONTINUED:

WARNING! Do not crawl under bumper unless the bumper is properly supported on blocks or stands or it may fall.

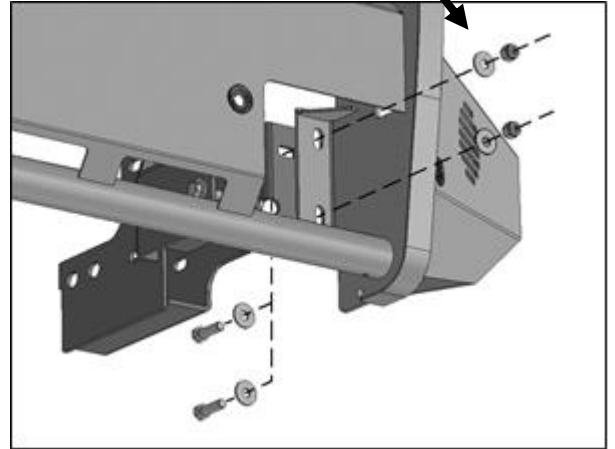


(Fig 9) Run factory harness through Bumper. Use Wire Harness Extensions to reach sensors as needed. Plug harness into sensors



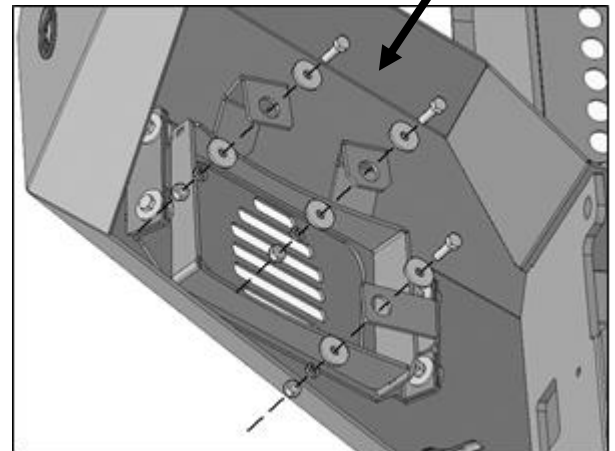
(Fig 11) Attach Bumper to driver/left Bracket

- (2) 12mm x 40mm Hex Bolts**
- (4) 12mm Flat Washers**
- (2) 12mm Nylon Lock Nuts**



(Fig 10) Attach driver/left side of Bumper to Mounting Bracket

- (3) 6mm x 20mm Hex Bolts**
- (6) 6mm Flat Washers**
- (3) 6mm Nylon Lock Nuts**



(Fig 12) Models with rectangular fog lights, remove light assembly from outer plastic housing. Attach light to tabs on back of Bumper, (also see Fig 6)

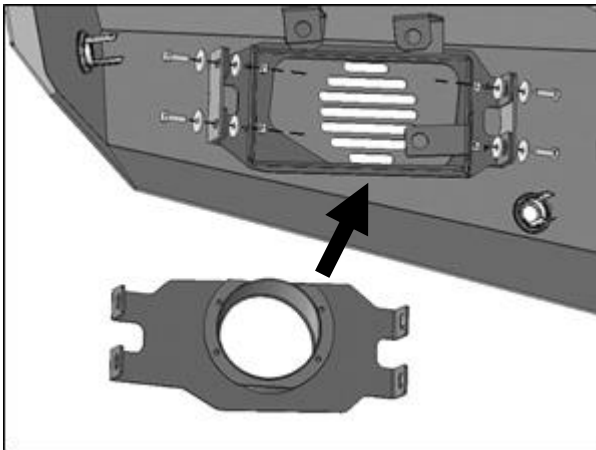
INSTALLATION PROCEDURE IMAGES CONTINUED:



(Fig 13) Passenger/right rectangular fog lights installed, (also see Fig 6)

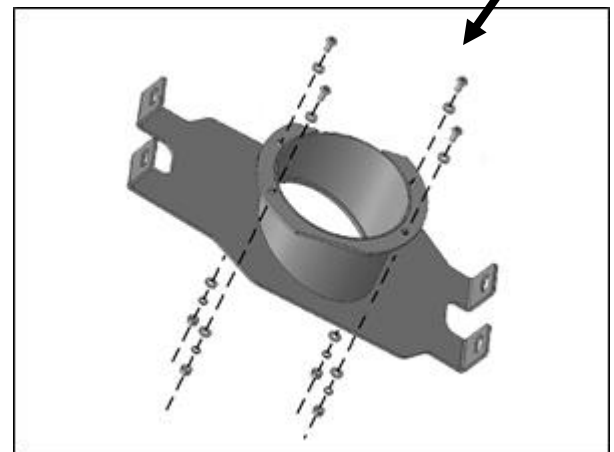


(Fig 14) Models with round fog lights, remove light assembly from outer plastic housing. Passenger / right side pictured

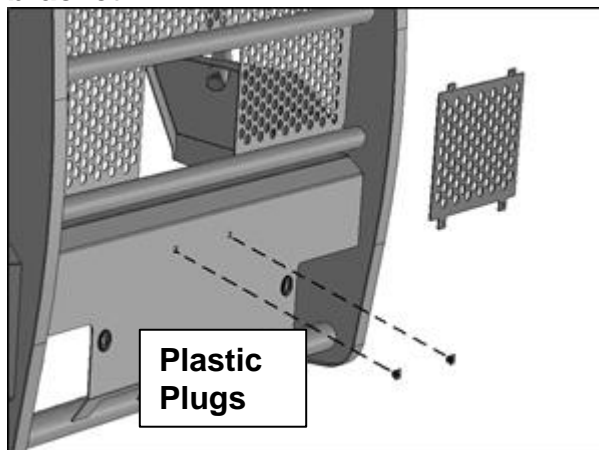


(Fig 15) Models with round fog lights, remove rectangular light bracket from back of bumper. Reuse hardware to attach the round light bracket

- (4) 4mm x 20mm Button Head Bolts**
- (8) 4mm Flat Washers**
- (4) 4mm Lock Washers**
- (4) 4mm Hex Nuts**

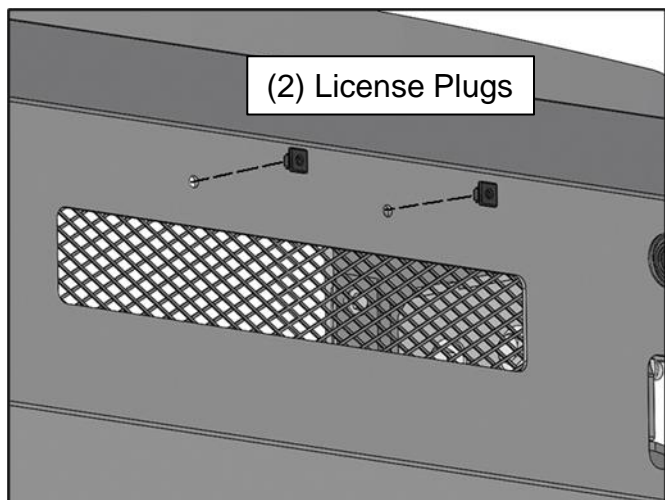


(Fig 16) Models with round fog lights, attach the round fog light to the Light Bracket

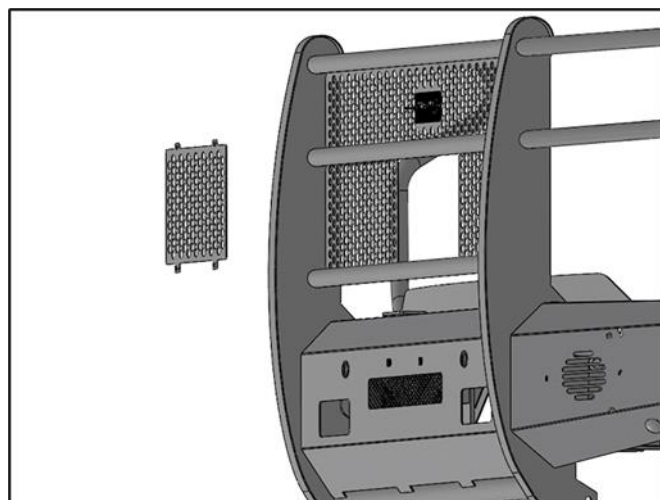


(Fig 17) Push Plastic Plugs into Bumper for license plate. Models with front camera, remove center screen from Bumper

INSTALLATION PROCEDURE IMAGES CONTINUED:



(Fig 25) Attach License Plate Bracket to Bumper



(Fig 26) Models with camera, remove screen

Installation is now complete, check all hardware is tightened and torqued to spec.

Installation is now complete, check all hardware is tightened and torqued to spec.

PRODUCT CARE:

- Periodically check the product to ensure all fasteners are tight and components are intact.
- Use ONLY Non-Abrasive automotive wax. Use of any soap, polish or wax that contains an abrasive is detrimental and can scratch the finish leading to corrosion.
- Mild soap may be used to clean the Black finish product.

FAQ'S

- **Hardware and mounting brackets are not aligning properly**
 - Ensure that hardware is being used on the correct side of the vehicle. In some cases, the hardware may appear same for driver or passenger side but may alter the alignment of mounting location. Check mounting brackets for both sides.
- **Products are thumping / rattling after installation**
 - Ensure that all required mounting brackets / hardware's are installed & tighten correctly. Suggest using white lithium / regular grease between metal-to-metal contact.
- **Missing / Excess Hardware**
 - Recheck hardware count as per the part list.
- **Product not installing properly**
 - Ensure the Year / Make / Model as well as cab and bed dimensions are correct for the application. Review all steps for installation to ensure they were followed correctly.
- **Who should be contacted for questions regarding product / installation assistance?**
 - www.trailfx.com / support@trailfx.com 1-(866) 638-4870

Warranty Terms:

3 Year Limited Warranty:

TrailFX and Keystone Automotive Operations Inc. make no guarantees or warranties for products not manufactured by Keystone Automotive Operations Inc. Such products are covered solely under any applicable warranty of the manufacturer. It is always recommended that the operating instructions and warranty instructions provided by the manufacturer are followed.

Keystone Automotive Operations Inc. warrants its products to be free from manufacturing and material defects to the original purchaser for the length of warranty stated above from the date of retail purchase. If any products are found to have a manufacturing or material defect, the product will be replaced or repaired at the option of TrailFX and Keystone Automotive Operations Inc. with proof of purchase by the original purchaser. The original purchaser shall pay all transportation and shipping costs associated with the return of the defective product and the defective product shall become the property of Keystone Automotive Operations Inc.

The Warranty applies to Keystone Automotive Operations Inc. products used for individual and recreational purposes. Commercial usage of the Keystone Automotive Operations Inc. products limits the warranty to 90-days from date of purchase.

The Warranty applies only to Keystone Automotive Operations Inc. products which are found to be defective in manufacturing or material. This warranty does not apply to normal wear and tear of the finish placed on Keystone Automotive Operations Inc. products.

TrailFX and Keystone Automotive Operations Inc. are not responsible for any labor costs incurred for removal or replacement of the defective product.

TrailFX and Keystone Automotive Operations Inc. are not responsible for repair or replacement of any product under the limited warranty where the product was improperly installed, misapplied, altered, abused, neglected, overloaded, misused or damaged as a result of an accident, including any use of the product not in accordance with all product operating and safety instructions.

Without limiting the generality of the foregoing, TrailFX and Keystone Automotive Operations Inc. shall under no circumstances be liable for any incidental or consequential loss or damage whatsoever arising out of, or in any way relating to any such breach of warranty or claimed defect in, or non-performance of the products. Some states do not allow the exclusion or limitation of incidental or consequential damages, so the above exclusion or limitation may not apply to you.

This limited warranty gives you specific legal rights, and you may also have other rights that vary from state to state.