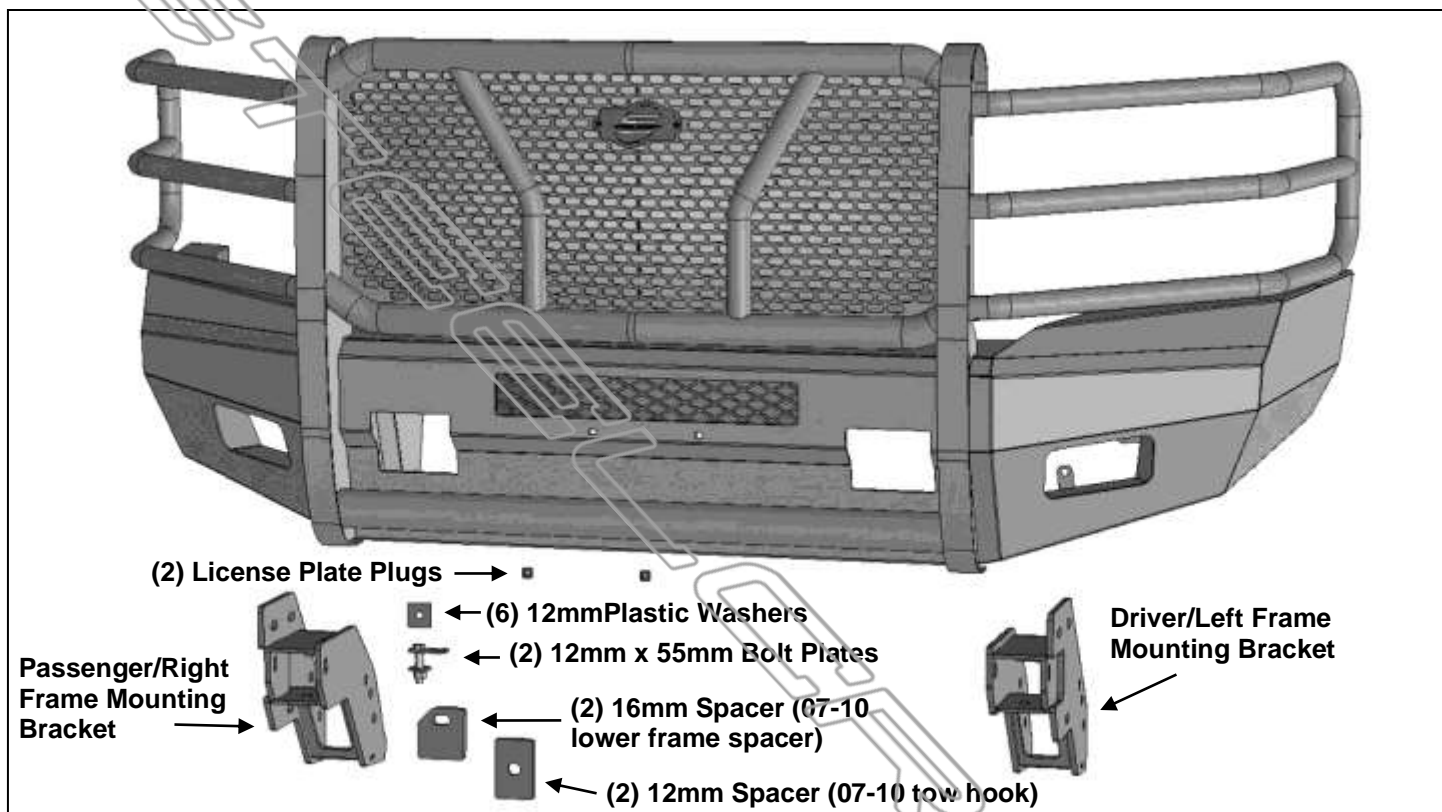


**ALUMINUM ELEVATION FRONT BUMPER
2007-14 CHEVY SILVERADO 25-3500**

PARTS LIST:

1	Elevation Front Bumper Assembly	2	12mm x 55mm Bolt Plates
1	Driver Mounting Bracket	8	12-1.75mm x 150mm Hex Bolts
1	Passenger Mounting Bracket	8	12-1.75mm x 50mm Hex Bolts
2	16mm Frame Bracket Spacers (2007-10)	32	12mm x 37mm OD x 3mm Flat Washers
2	12mm Tow Hook Spacers (2007-10)	18	12mm Lock Washers
2	Plastic Plugs for License Plate	16	12mm Hex Nuts
6	12mm Plastic Washers		



RECOMMENDED TO REPLACE THE 12MM HEX BOLTS ON AN ANNUAL BASIS

PROCEDURE:

REMOVE CONTENTS FROM BOX. VERIFY ALL PARTS ARE PRESENT. READ INSTRUCTIONS CAREFULLY BEFORE STARTING INSTALLATION. BUMPER IS HEAVY, ASSISTANCE IS HIGHLY RECOMMENDED TO AVOID POSSIBLE INJURY OR DAMAGE TO THE VEHICLE.

1. Remove the license plate and bracket. On models with factory fog lights, unplug the wiring harness leading to both lights. Move harness away from bumper.
2. Release the rubber air deflector from the back of the bumper and remove from vehicle, **(Figure 1)**. Open the hood and remove the plastic cover from the top of the grille. Next, carefully remove the grille. Remove the bumper supports from each end of the bumper.
3. Place blocks or jack stands under the front bumper to support it during mounting bolt removal. Once the bumper has been safely supported, remove the factory bumper bolts from above, **(Figures 2 & 3)**. **WARNING!** Assistance is required to hold the bumper in place during bolt removal to prevent the bumper from falling. Carefully slide the bumper off of the end of the end of the frame. Remove the bumper brackets and tow hooks from end of frame. On **2011-14 models**, remove the bumper reinforcements from below the headlights, **(Figure 3)**.
4. Select the passenger/right Frame Bracket, **(Figure 4)**. Slide the Bracket over the end of the frame. Attach the Bracket to the frame with the included (3) 12mm x 150mm Hex Bolts, (6) 12mm Flat Washers, (3) 12mm Lock Washers and (3) 12mm Hex Nuts, **(Figure 4)**. Leave hardware loose. Insert

**ALUMINUM ELEVATION FRONT BUMPER
2007-14 CHEVY SILVERADO 25-3500**

(1) 12mm Bolt Plate into and down through the hole in the bottom of the frame and the Bracket. Secure with (1) 12mm Flat Washer, (1) 12mm Lock Washer and (1) 12mm Hex Nut, **(Figure 5)**.

- a. **IMPORTANT:** On **2007-10 models**, insert (1) 16mm Frame Spacer between the bottom of the frame and the inside of the Mounting Bracket then insert the Bolt Plate through the Spacer, **(Figure 5)**. Do not fully tighten hardware at this time.

5. Determine model year to attach tow hook to passenger/right Frame Mounting Bracket.

2007-10 Models

- a. Select (1) tow hook. Insert the tow hook into the opening in the passenger side Frame Bracket. Slide (1) 12mm Spacer between the Bracket and the tow hook.
- b. Insert (1) 12mm x 150mm Hex Bolt and (1) 12mm Flat Washer through the outside of the Bracket, the tow hook and the inner plate on the Bracket, **(Figure 6)**. Secure with (1) 12mm Flat Washer, (1) 12mm Lock Washer and (1) 12mm Hex Nut. **IMPORTANT:** The long hex bolt and flat washer must be inserted from the outside of the Bracket to the inside to clear the mounting plate on the Bumper.
- c. Attach the tow hook to the Spacer and Bracket with (1) 12mm x 50mm Hex Bolt (2) 12mm Flat Washers, (1) 12mm Lock Washer and (1) 12mm Hex Nut, **(Figure 6)**.
- d. **NOTE:** Fully tighten tow hook mounting hardware only at this time.

2011-14 models

- a. Select (1) tow hook. Insert the tow hook into the opening in the passenger/right Frame Bracket. Insert (1) 12mm x 150mm Hex Bolt and (1) 12mm Flat Washer through the outside of the Bracket, the tow hook and the inner plate on the Bracket, **(Figure 7)**. Secure with (1) 12mm Flat Washer, (1) 12mm Lock Washer and (1) 12mm Hex Nut. **IMPORTANT:** The long hex bolt and flat washer must be inserted from the outside of the Bracket to the inside to clear the mounting plate on the Bumper.
- b. Reuse the short factory hex bolt for the tow hook to attach the rear mount on the tow hook to the Bracket, **(Figure 7)**.
- c. **NOTE:** Fully tighten tow hook mounting hardware only at this time.

6. Repeat **Steps 4 & 5** to install the driver/left side Mounting Bracket and tow hook.

7. With assistance, position the Bumper Assembly up to and over the Brackets. Temporarily support the weight of the Bumper. **WARNING:** To avoid possible injury or damage to the vehicle, do not proceed until the Bumper is fully and safely supported.

8. Line up the (3) holes in the passenger/right mounting plate on the inside of the Bumper with the (3) slots in the Frame Bracket. Attach the Bumper to the Bracket with the included (3) 12mm x 50mm Hex Bolts, (6) 12mm Flat Washers, (3) 12mm Plastic Washers, (3) 12mm Lock Washers and (3) 12mm Hex Nuts, **(Figures 8 & 9)**. **IMPORTANT:** Place the Plastic Washers between the outer 12mm Flat Washers and the mounting plate on the Bumper to minimize corrosion. Do not fully tighten hardware at this time. Repeat this **Step** to attach the driver/left side of the Bumper to the Frame Bracket.

9. Level and adjust the bumper and fully tighten all 12mm hardware to 65-70ft-lbs.

10. Models with fog lights:

- a. Remove fog lights and wiring harness from factory bumper.
- b. Slide the light into place through the opening in the bumper. Push the attaching posts into the tabs on the bumper, **(Figure 10)**. Repeat this Step to install remaining light.
- c. Reattach the factory wiring harness to both lights.

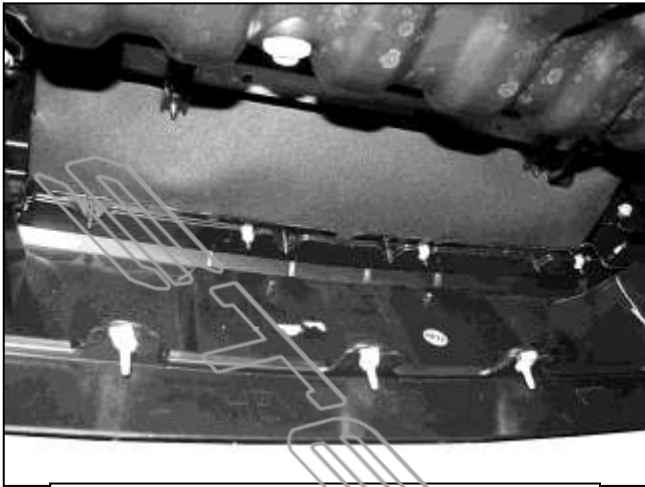
11. Use the included (2) push-in Plastic Nuts to attach the front license plate, (if required), to the (2) holes in the front Bumper, **(Figure 11)**.

12. Do periodic inspections to the installation to make sure that all hardware is secure and tight.

To protect your investment, Do not use any type of polish or wax that may contain abrasives that could damage the finish. Mild soap may be used to clean the Front Bumper assembly.

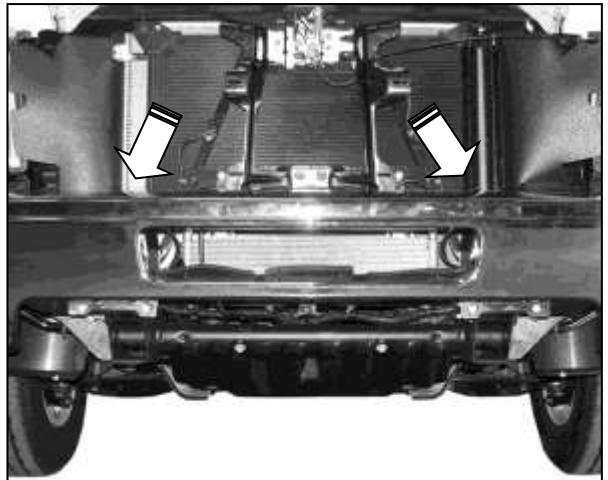
**ALUMINUM ELEVATION FRONT BUMPER
2007-14 CHEVY SILVERADO 25-3500**

Passenger Side Installation Pictured

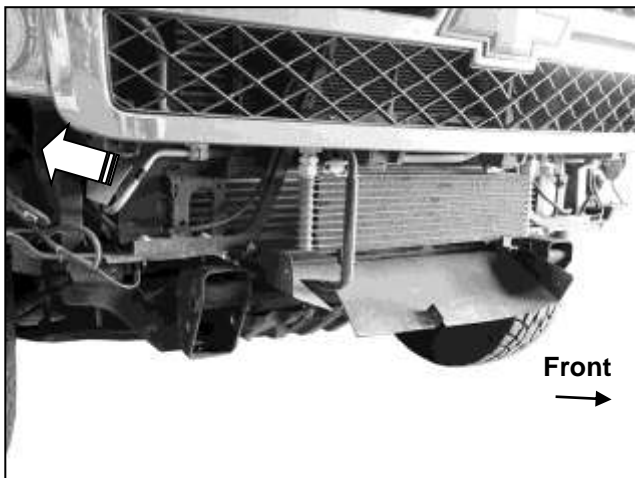


(Fig 1) Remove rubber deflector between back of bumper and bottom of radiator. Pictured from below-under front bumper.

Remove bumper bolts from top of bumper brackets (arrows) to remove bumper



(Fig 2) Remove grille to access bumper bolts. Bumper pictured without lower air dam for instruction purposes-do not remove lower air dam for installation.

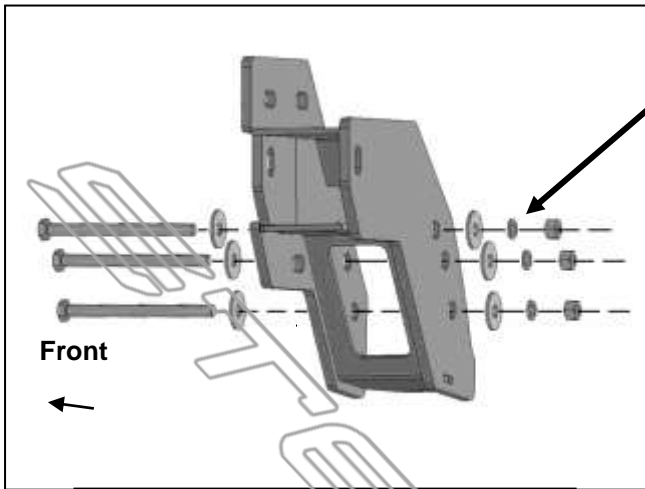


(Fig 3) Remove bumper assembly and plastic reinforcements from below headlights. Reinstall plastic grille.

WARNING! Do not remove bumper bolts unless the bumper is properly supported on blocks or stands or it may fall.

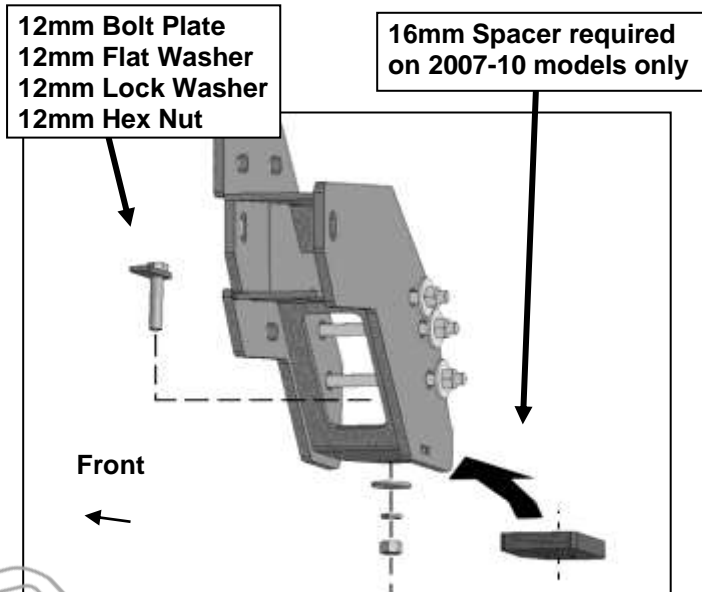
**ALUMINUM ELEVATION FRONT BUMPER
2007-14 CHEVY SILVERADO 25-3500**

Passenger Side Installation Pictured



- (3) 12mm x 150mm Hex Bolts
- (6) 12mm Flat Washers
- (3) 12mm Lock Washers
- (3) 12mm Hex Nuts

(Fig 4) Attach passenger side Frame Bracket assembly to end of frame



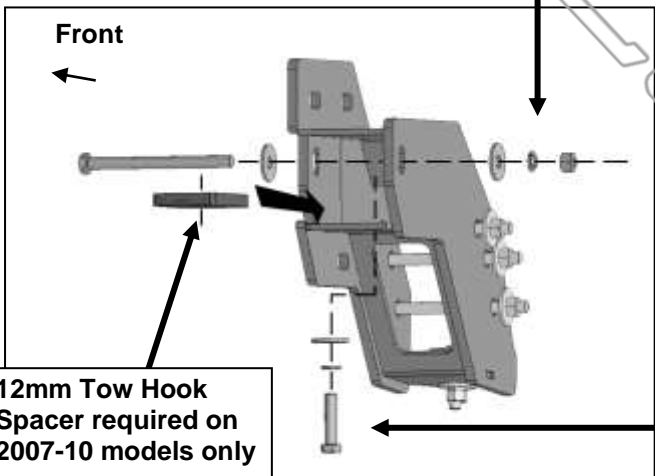
- 12mm Bolt Plate
- 12mm Flat Washer
- 12mm Lock Washer
- 12mm Hex Nut

16mm Spacer required on 2007-10 models only

(Fig 5) Insert 12mm Bolt Plate into end of frame and down through Bracket.

IMPORTANT: On 2007-10 models only, insert 16mm Spacer between bottom of frame and inside of Bracket.

- 12mm x 150mm Hex Bolt
- (2) 12mm Flat Washers
- 12mm Lock Washer
- 12mm Hex Nut



12mm Tow Hook Spacer required on 2007-10 models only

- 12mm x 50mm Hex Bolt
- (2) 12mm Flat Washers
- 12mm Lock Washer
- 12mm Hex Nut

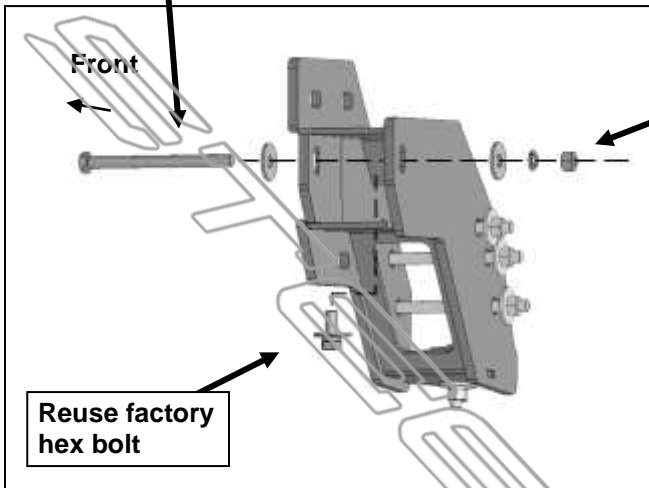
(Fig 6) On 2007-10 models, insert 12mm Spacer between Bracket and tow hook. IMPORTANT: Insert Long Hex Bolt with (1) 12mm Flat Washer from outside to inside only.

Attach rear mount on tow hook to Bracket with the included longer 12mm hardware

ALUMINUM ELEVATION FRONT BUMPER
2007-14 CHEVY SILVERADO 25-3500

Passenger Side Installation Pictured

IMPORTANT: Insert Long Hex Bolt with (1) 12mm Flat Washer from outside to inside only

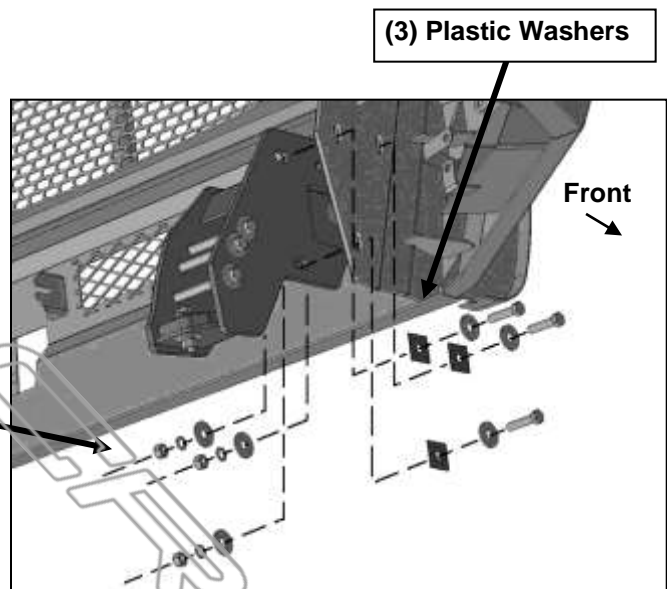


12mm x 150mm Hex Bolt
(2) 12mm Flat Washers
12mm Lock Washer
12mm Hex Nut

Reuse factory hex bolt

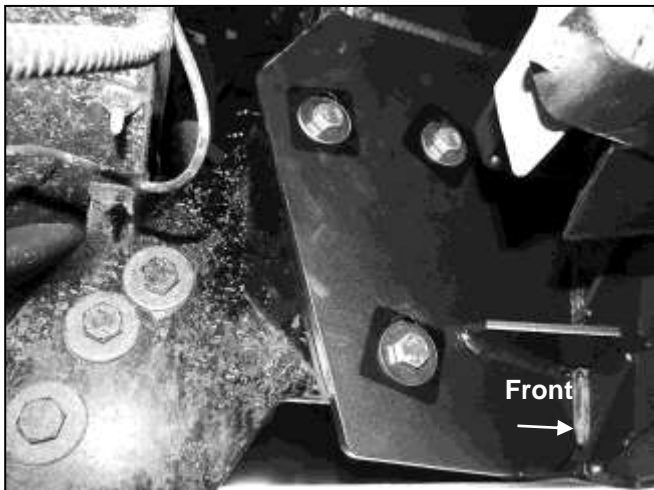
(Fig 7) On 2011-14 models, Attach the tow hook to the passenger side Frame Bracket. Reuse factory hex bolt to attach rear mount on tow hook to Bracket

(3) 12mm x 50mm Hex Bolts
(6) 12mm Flat Washers
(3) 12mm Lock Washers
(3) 12mm Hex Nuts



(3) Plastic Washers

(Fig 8) Attach passenger/right side of Bumper NOTE: Insert Plastic Washers between Flat Washer and mounting plate on Bumper to minimize corrosion

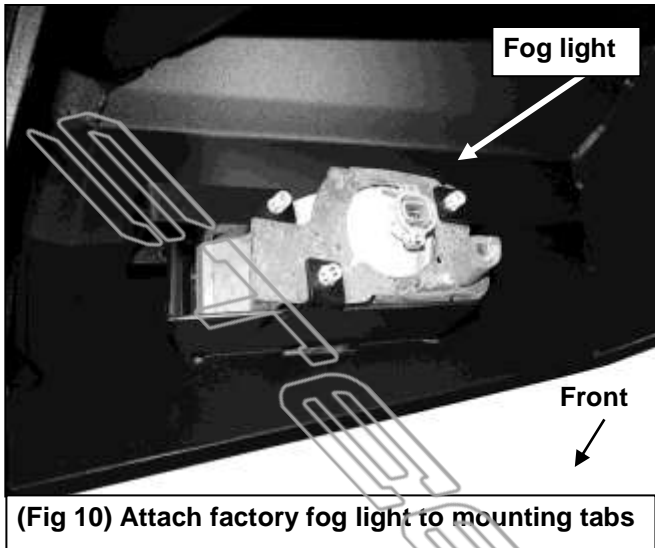


(Fig 9) Passenger side of Bumper and Bracket assembly pictured

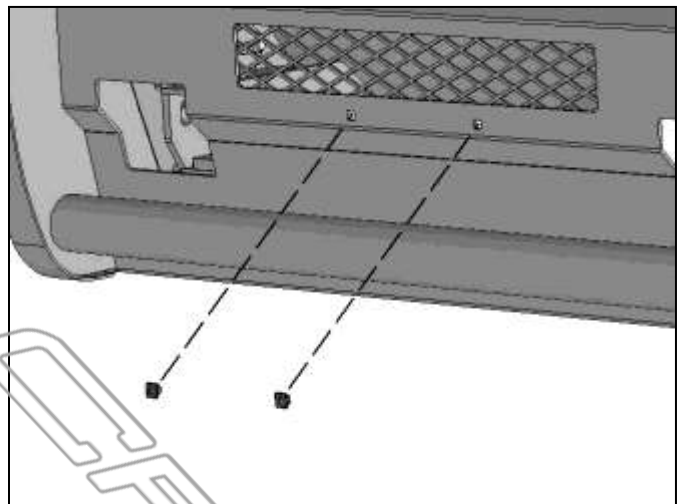
WARNING! Do not crawl under bumper unless it is properly supported on blocks or stands or the bumper may fall.

**ALUMINUM ELEVATION FRONT BUMPER
2007-14 CHEVY SILVERADO 25-3500**

Passenger Side Installation Pictured



WARNING! Do not crawl under bumper unless it is properly supported on blocks or stands or the bumper may fall.



Special Note: While Aluminum does not rust, there is potential for galvanic corrosion if the coating is scratched between your bumper and the steel frame brackets + hardware (especially in extreme environments such as the coastlines or where road salt is used during winter). A visual inspection should be performed by the user at least on an annual basis to determine if excessive corrosion is present on or surrounding the hardware.